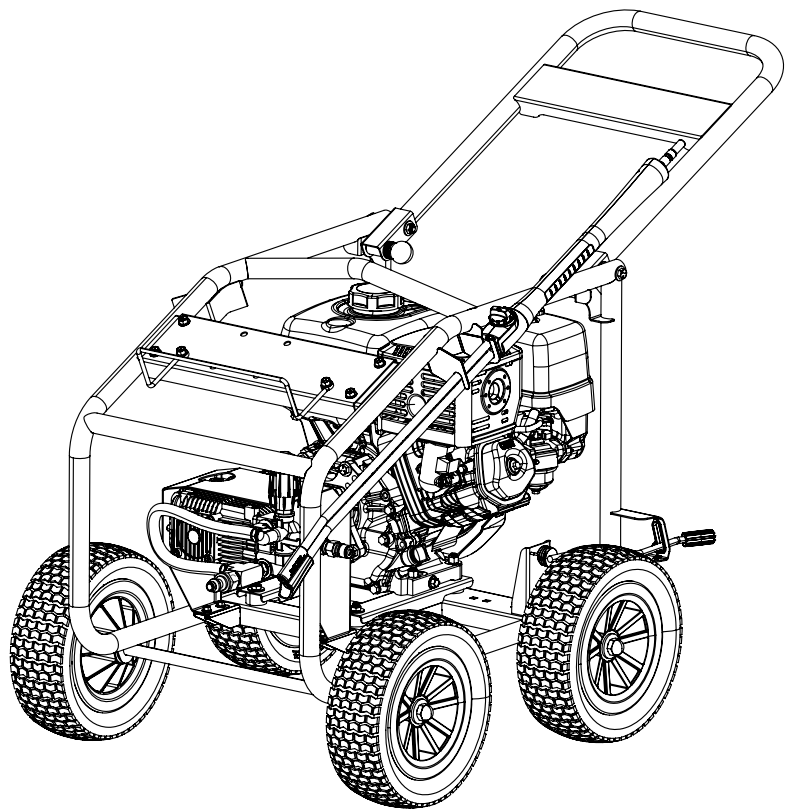
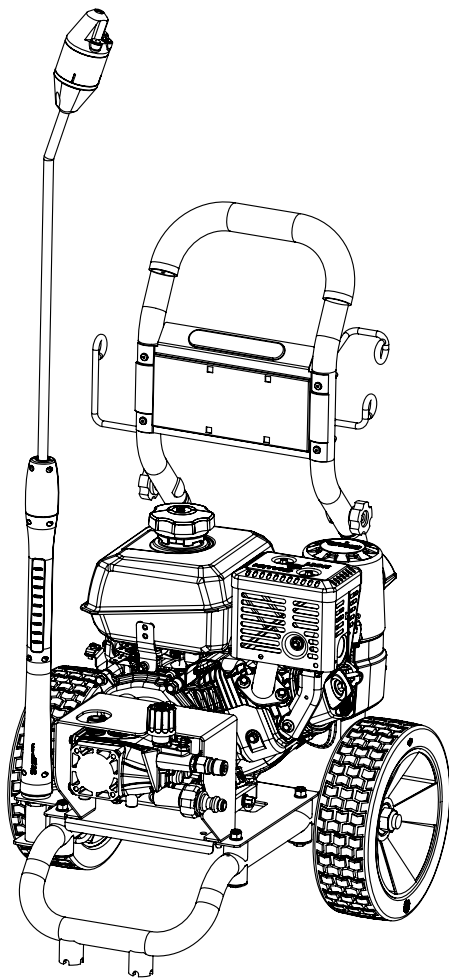
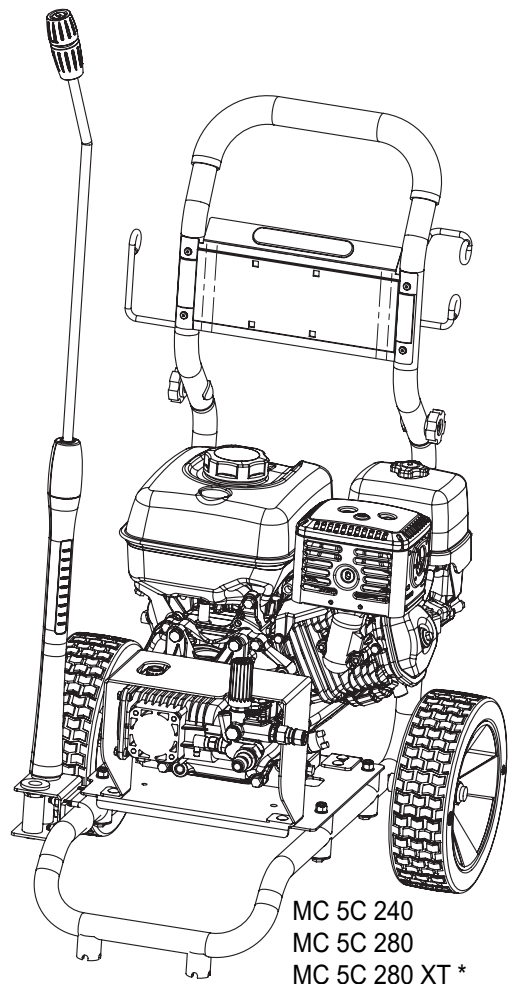
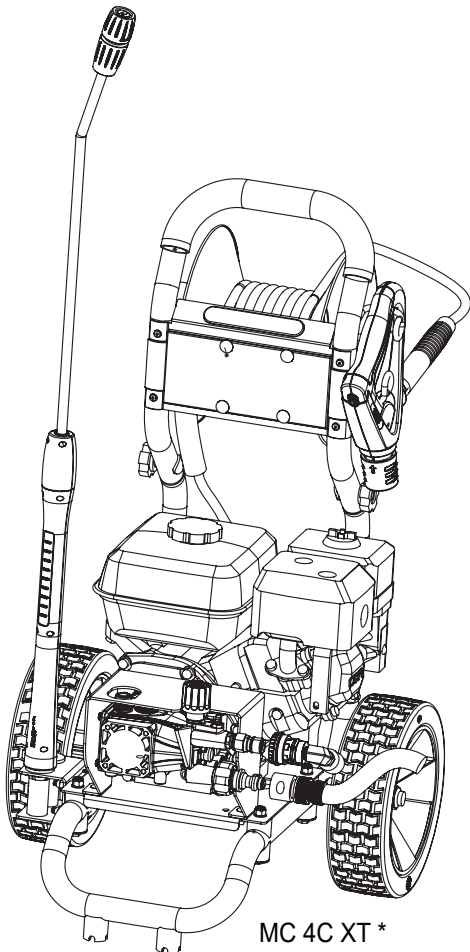
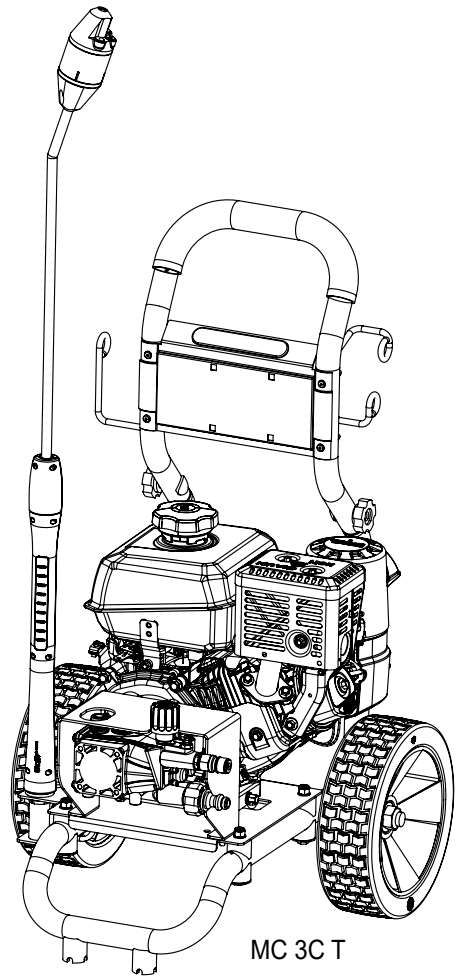
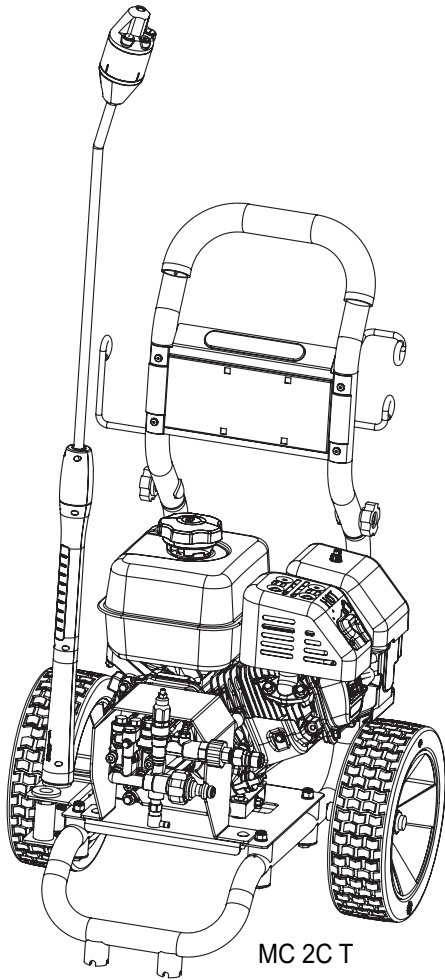
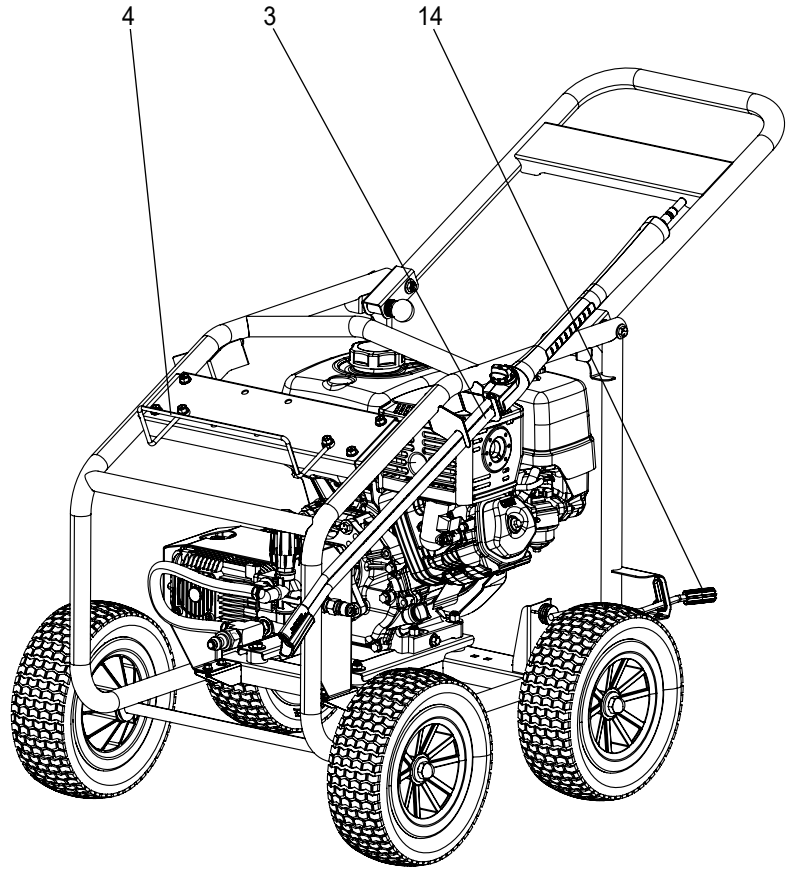
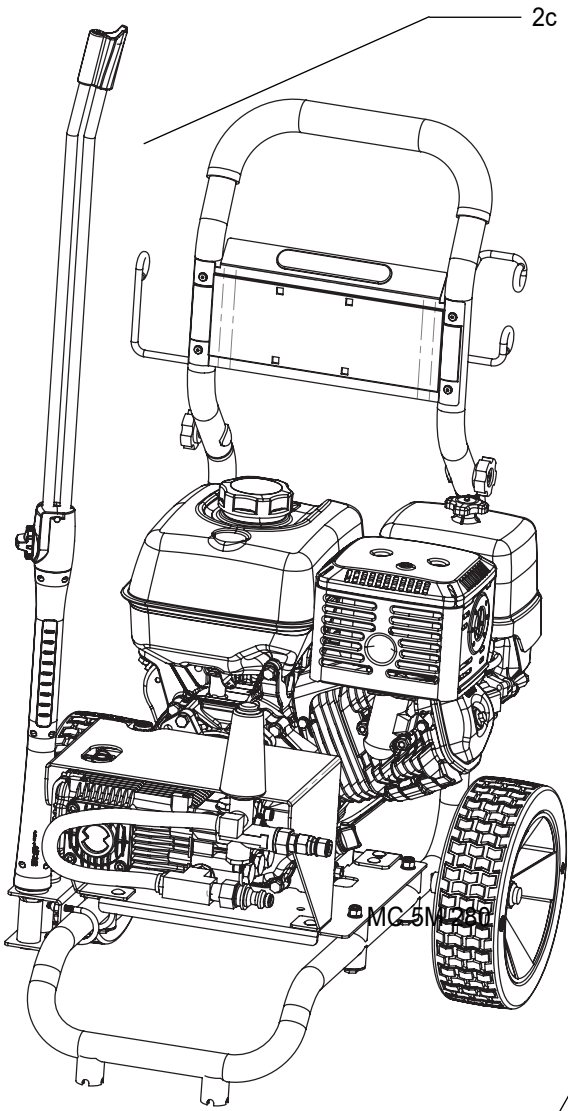


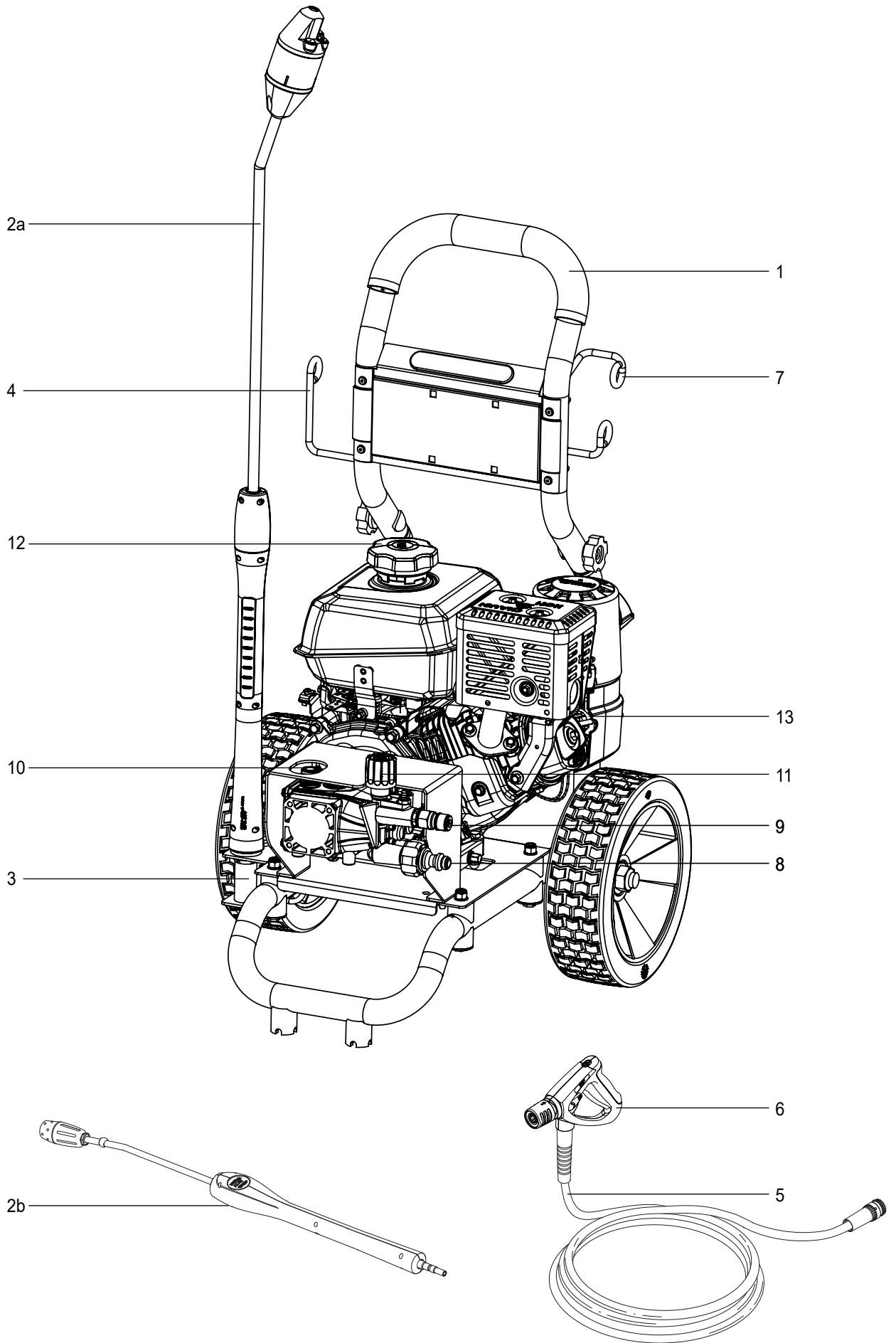
MC DE - MC PE - MC PE PLUS

Instructions for use

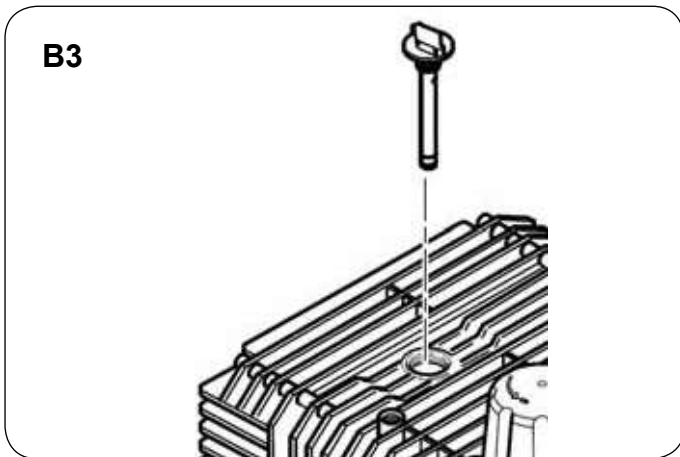
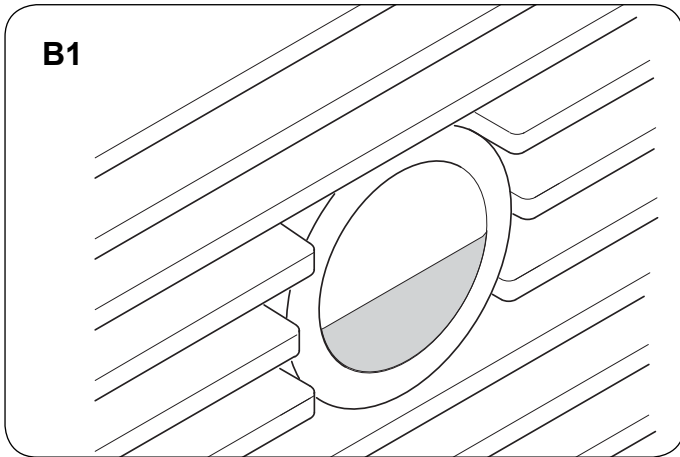




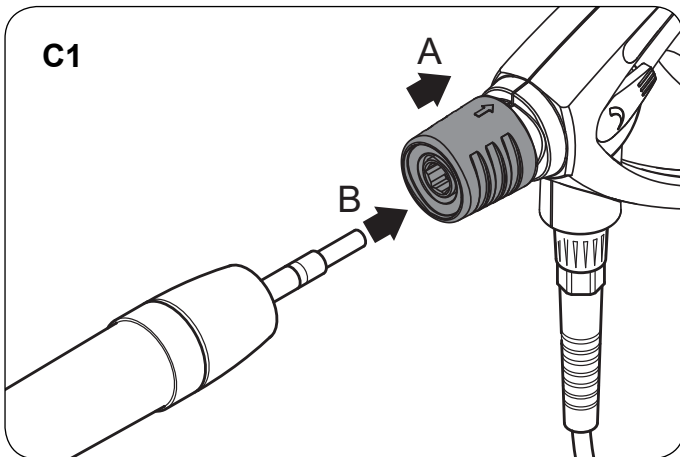


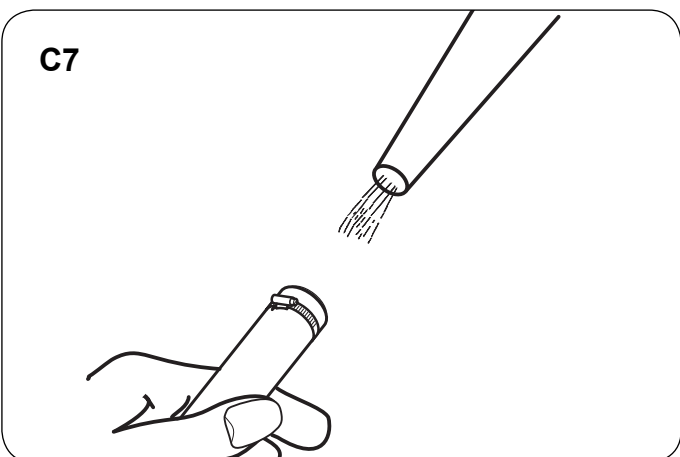
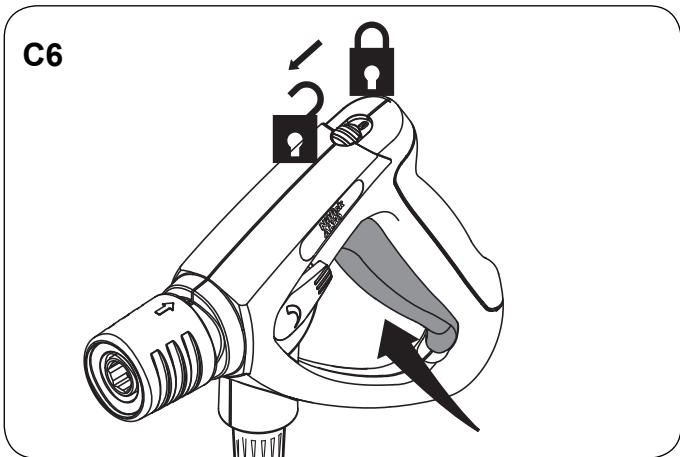
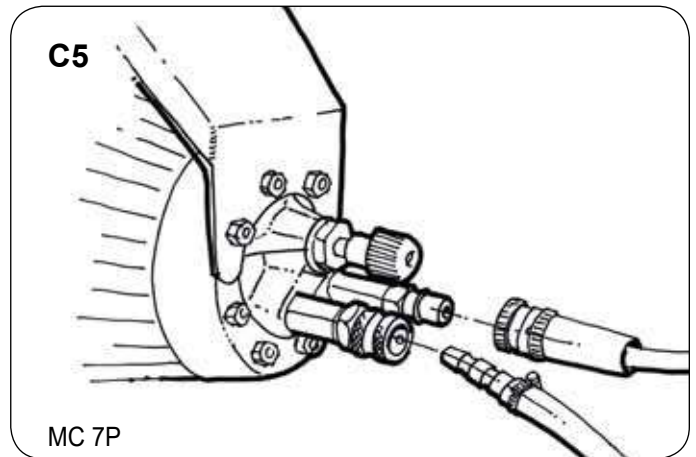
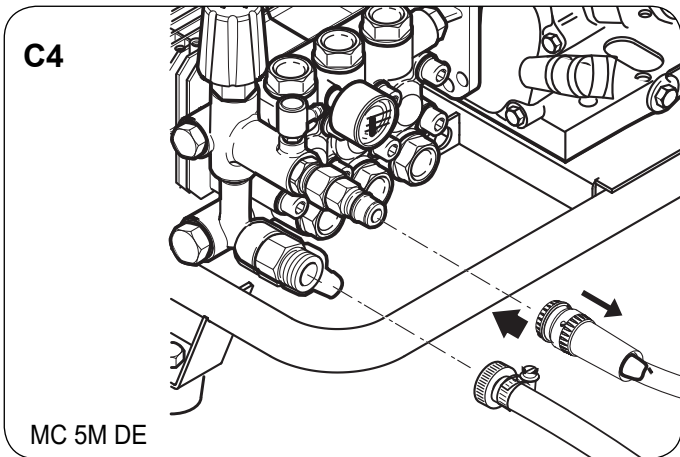
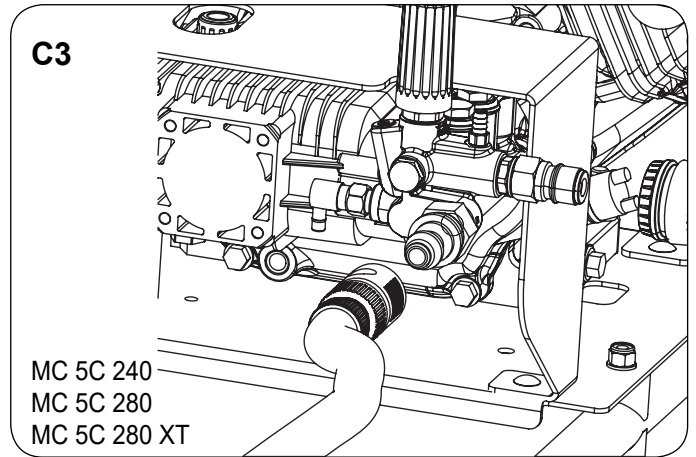
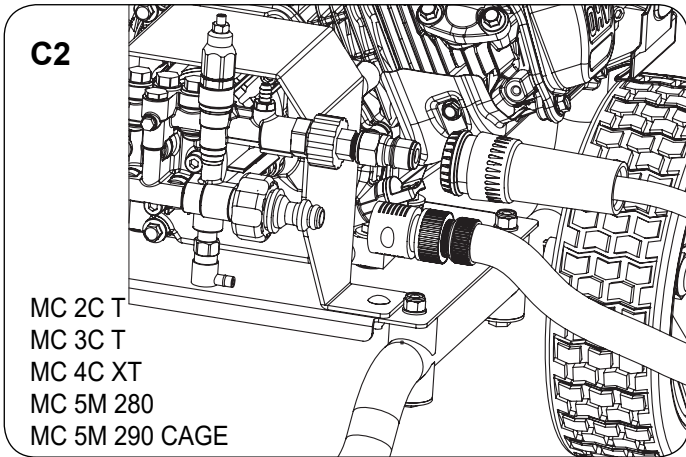


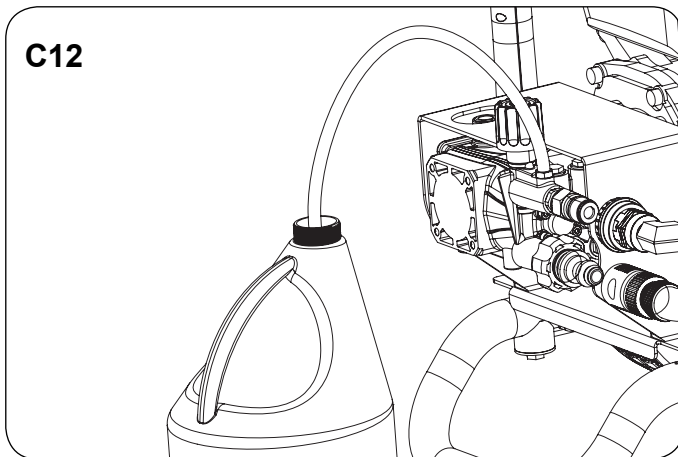
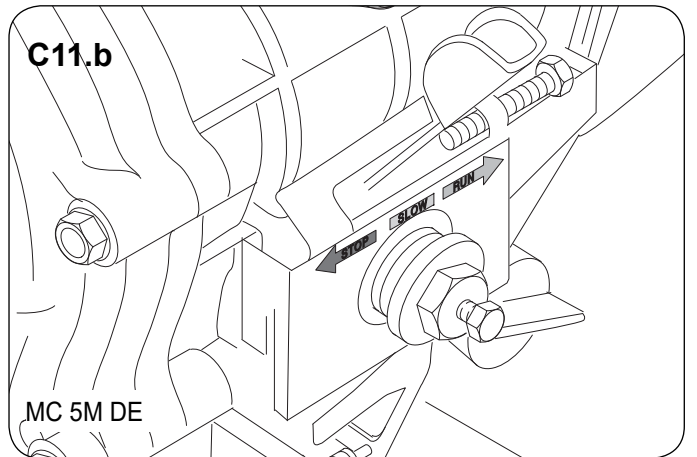
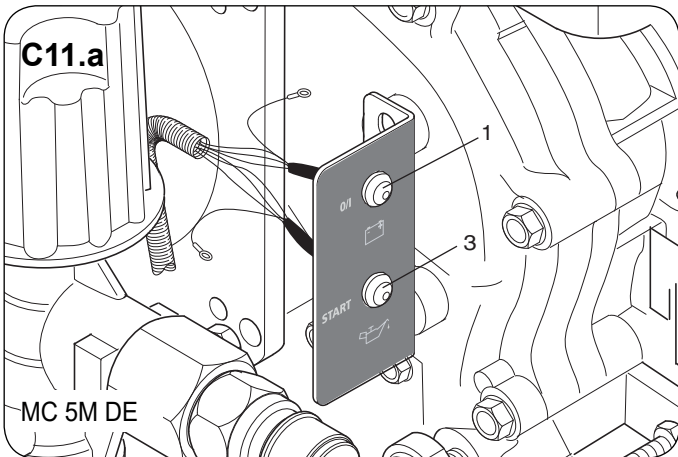
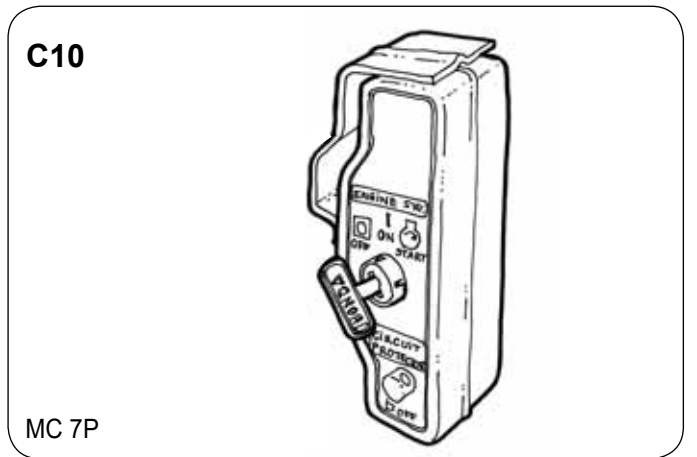
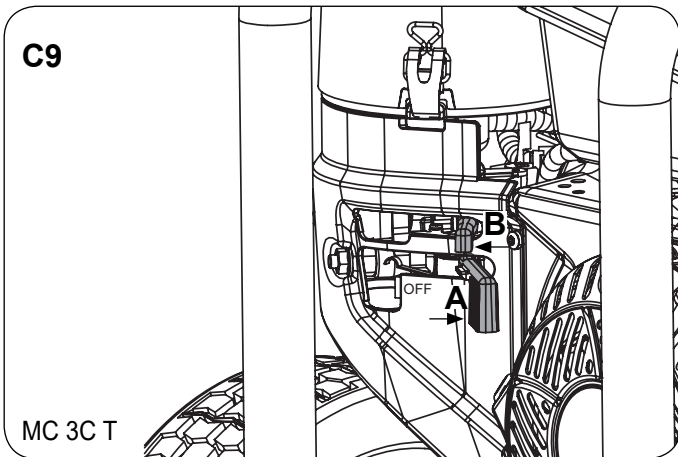
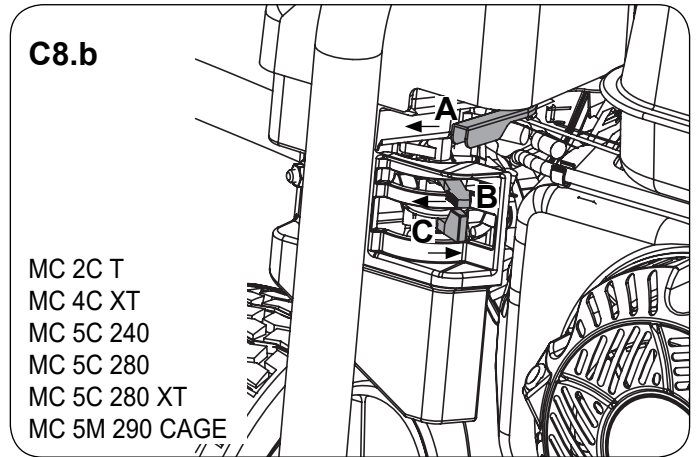
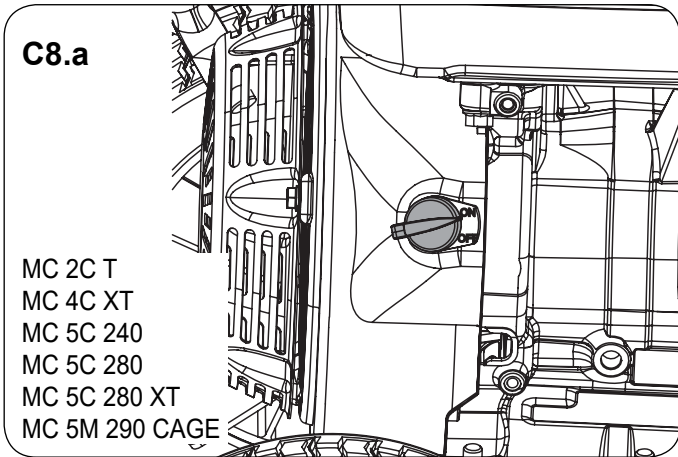
B



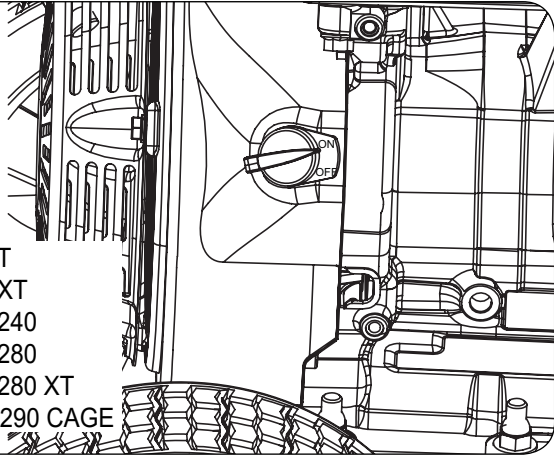
C



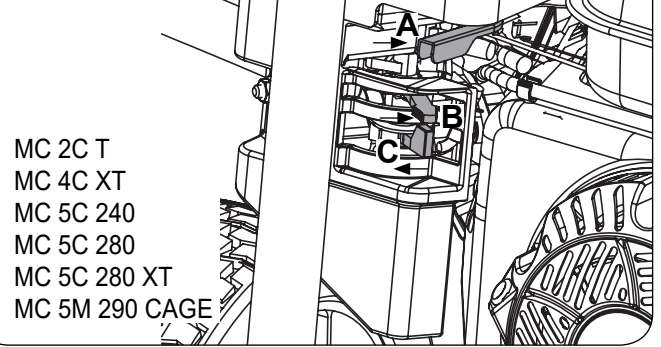




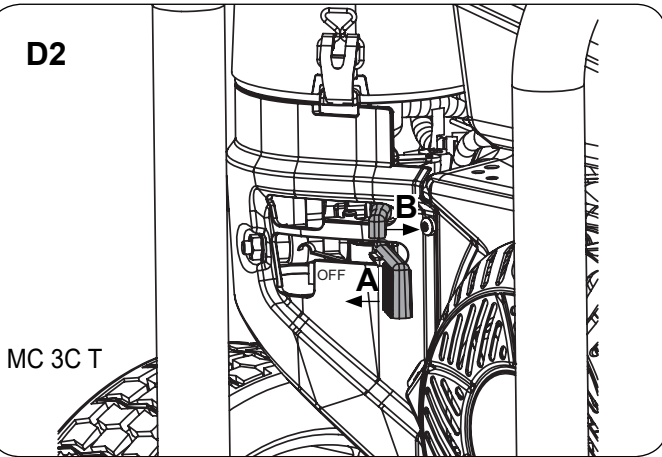
D1.a



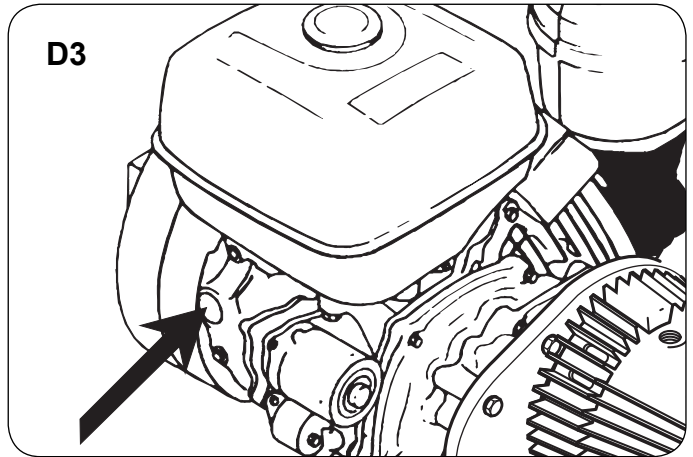
D1.b



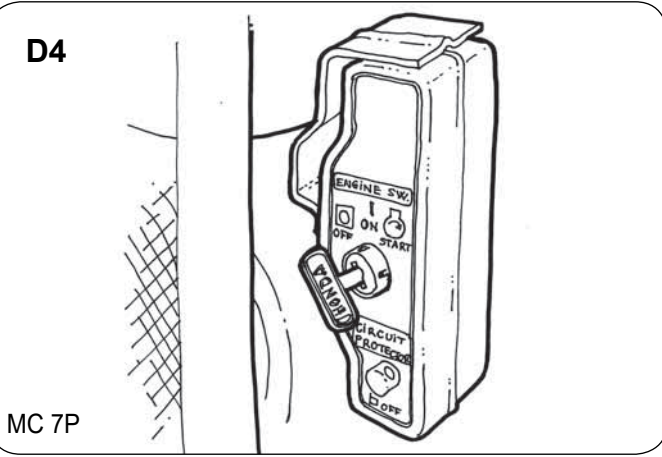
D2



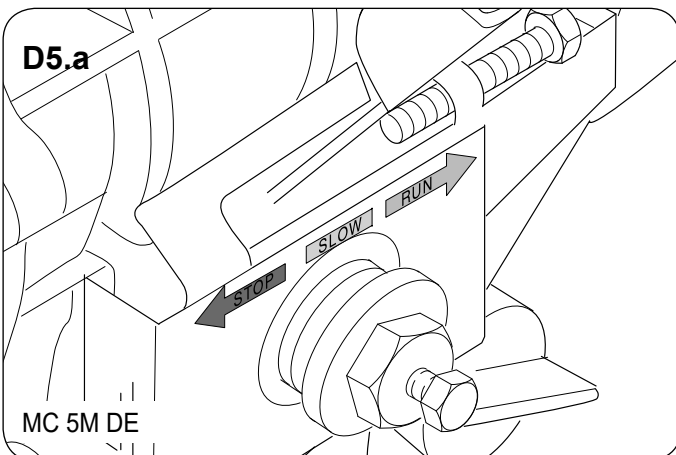
D3



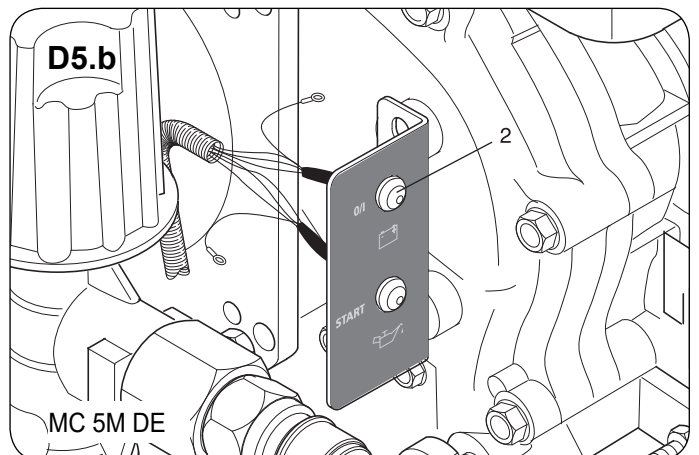
D4

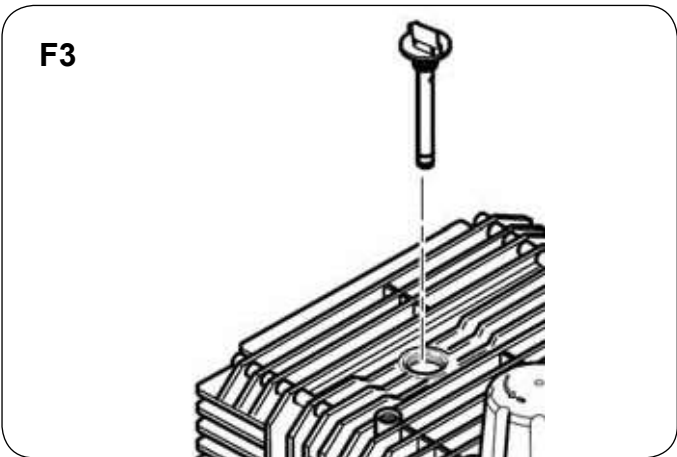
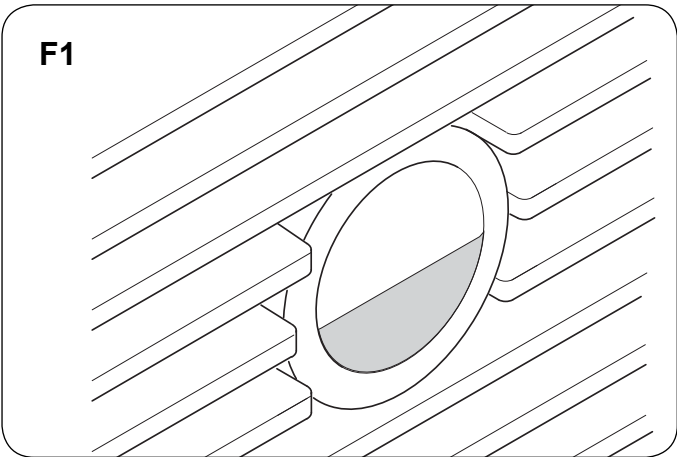
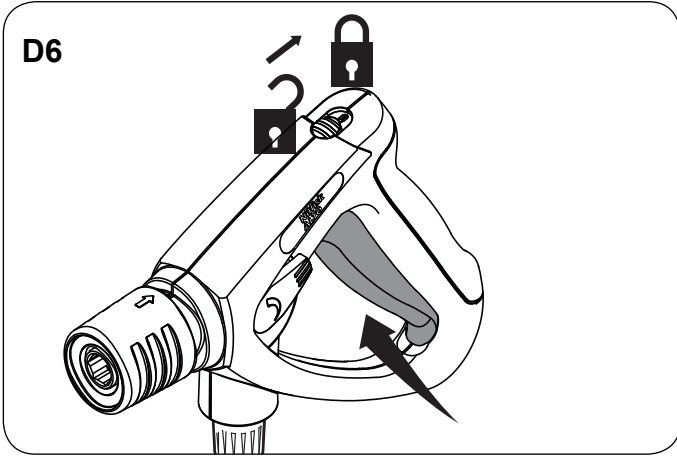


D5.a

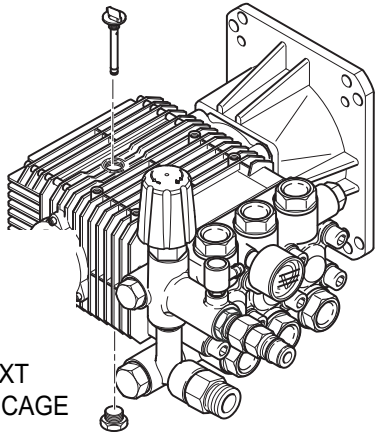


D5.b



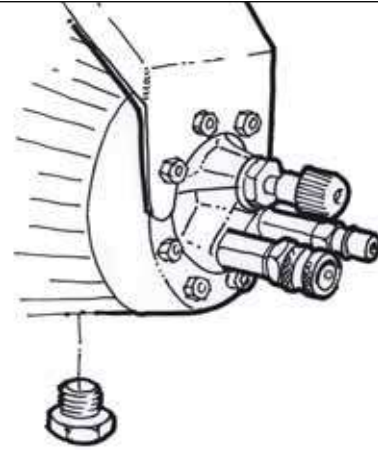


F4



- MC 3C PE
- MC 4C XT
- MC 5C 240
- MC 5C 280
- MC 5C 280 XT
- MC 5M 290 CAGE

F5



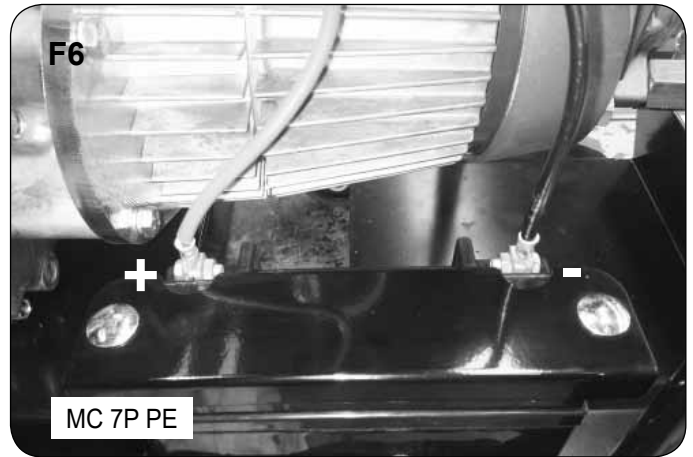
MC 7P

F6



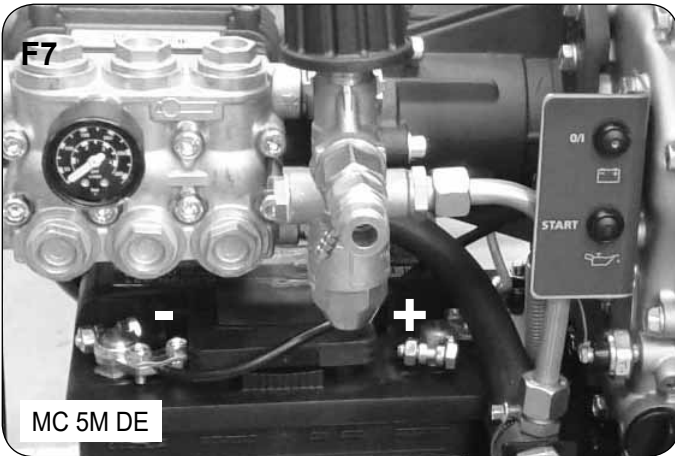
MC 5M DE

F6



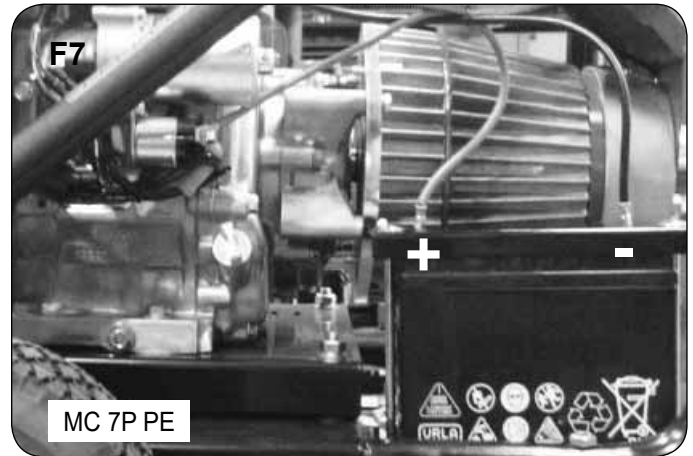
MC 7P PE

F7



MC 5M DE

F7



MC 7P PE

EN	Operating instructions	12
DE	Bedienungsanweisungen	16
FR	Instructions de fonctionnement	21
NL	Gebruiksaanwijzingen	26
IT	Istruzioni per l'uso	31
NO	Bruksanvisning	36
SV	Bruksanvisning	41
DA	Betjeningsvejledning	46
FI	Käyttöohje	51
ES	Instrucciones de funcionamiento	56
PT	Instruções de Funcionamento	61
EL	Οδηγίες λειτουργίας	66
TR	Kullanma Talimatları	71
SL	Navodila za delovanje	77
HR	Upute za uporabu	82
SK	Návod na obsluhu	87
CS	Návod k obsluze	92
PL	Instrukcje dotyczące obsługi	97
HU	Használati útmutató	102
RO	Instrucțiuni de utilizare.....	107
BG	Указания за експлоатация	112
RU	Руководство по эксплуатации	117
ET	Tööjuhised	122
LV	Norādījumi par ekspluatāciju	127
LT	Naudojimo instrukcija	132
JA	作手順.....	137
ZH	操作说明.....	142
KO	사용법.....	146
TH	คำแนะนำการใช้งาน.....	150
MS	Arahan Operasi	154

Operating instructions

This high pressure washer has been designed for professional use typically in following cleaning applications:

Agriculture, industry, transport industry, automotive cleaning, municipal facilities, cleaning trade, construction industry, food industry etc.

The pictorial quick reference guide

The pictorial quick reference guide is designed for helping you when starting up, operating and storing the unit. The guide is subdivided into 7 sections.

A

Before starting:

• DO READ SAFETY INSTRUCTIONS BEFORE USE!

• Before starting up your high-pressure washer for the first time, this instruction manual must be read through carefully as well. Save the instructions for later use.

Operating elements:

- A1. Push/Pull handle
- A2. Lances:
 - a. 4 in 1 (MC 2C, MC 3C)
 - b. Flexopower (MC 4C, MC 5C)
 - c. Tornado (MC 5M, MC 5M CAGE)
- A3. Holder for lance
- A4. Holder for high pressure hose (*page 2, with hose reel)
- A5. High pressure hose
- A6. Spray gun
- A7. Holder for spray gun
- A8. Connection for water inlet
- A9. Connection for high pressure hose
- A10. Oil level gauge
- A11. Water flow regulation
- A12. Fuel tank
- A13. Start/stop switch area
- A14. Parking brake (MC 5M CAGE only)

B

Setting up the unit:

Setting up the pressure washer

- Before using the pressure washer for the first time, check it carefully to detect any faults or damage
 - In the event of any damage contact your Nilfisk dealer immediately.
- B1 • Check whether the oil level is in the middle of the oil inspection glass, oil cup or dip stick. This also applies to machines with gear. (MC 7P does not have oil dip stick).
 - B2 (MC 2C does not have inspection or dip stick).
 - B3

C

Switching on the unit:

Connections:

Connecting the lance to the spray gun

- C1 1 Pull the blue quick-release grip (A) of the spray handle backwards.
- 2 Insert the nipple of the spray lance (B) into the quick-release connection and release it.
- 3 Pull forward the spray lance or any other accessory to ensure correct mounting before starting the machine.

NOTE! Always remove any dirt from the nipple before connecting the lance to the spray gun.

Connecting the high pressure hose and the water hose

- C2 1 Connect the high pressure hose to the high pressure inlet by means of the quick coupling. Use max. 50 m extension hose.
- C3
- C4
- C5 2 Before connecting the water hose to the washer, rinse the water hose briefly to prevent sand and other dirt from entering into the washer.
- 3 Open the tap.

NOTE! See chapter "specifications" for required quantity of water and water pressure. In the case of poor water quality (sand, etc.), we recommend that a fine water filter is fitted in the water inlet.

FUELLING:

- **IMPORTANT!** Always shut off the engine and let it cool for at least two minutes before fuelling. Avoid spilling fuel. If you do spill fuel when fuelling, do not start the engine before the spilled fuel has evaporated. If the washer is on a trailer, any fuel spills must be wiped up before the machine is started. Never expose the machine to an open flame. Smoking is prohibited during fuelling. Also read the operating manual for the fuel engine. Never operate the machine in a closed room; the exhaust fumes are dangerous. Follow the safety instructions!

Start the washer:

Switching on the washer when it is connected to a water supply

- C6 1 Start the engine. (See the operating manual for the fuel engine.)
- 2 Unlock the spray gun and activate it.
- 3 Lock the safety catch even during short pauses.

NOTE! Activate the spray gun several times at short intervals to vent the system. If it requires too much power to start the engine, it can be facilitated by removing the spray lance and activate the spray gun during startup.

Switching on the washer when it is connected to open tanks (suction mode)

- C7 1 Before connecting the suction hose to the washer, fill the hose with water.
- 2 Start the washer.
- 3 Unlock the spray gun and activate it.
- 4 When using this machine in suction mode, first ensure that the system has been bled of air by letting the machine run without high pressure hose and spray lance mounted until all air has escaped. On some models you need to kink the by-pass hose and / or move the engine throttle to minimum position to achieve enough suction power.

- During work breaks of more than three minutes, switch off the washer.

NOTE! For automatic suction from a tank, watercourse or similar supply, the inlet hose must be filled with water before you start. The suction height depends on the water temperature. Max. suction height is reached with cold water (up to 8°C). With 60°C warm water, the machine must be under or at the water level.

If the water being suctioned contains particles, a suction

filter must be mounted on the end of the hose.
In case of risk of running sands, a sand filter must be attached.

Start machine

Start MC PE (not apply to MC 3C)

- C8.a 1 Switch on the ignition by turning the ON/OFF button.
C8.b 2 Set choke (B) and fuel lever (C) on.
3 Check that the throttle lever (A) is adjusted correctly - need to be run "Run/Fast" position.
4 Pull the starter rope until the machine starts.

MC 3C PE:

- C9 1 Move engine/fuel/throttle lever (A) to on/full speed - Built in adjustment of engine speed.
2 Set choke lever to on (B).
3 Pull the starter rope until the machine starts.

Start MC PE with electric starter

- C10 1 Start the engine by turning the key (see the operating instructions for the engine).
2 Check that the throttle lever is adjusted correctly - need to be in Run position.

Start MC DE

- C11.a 1 Switch on the ignition by pushing the ON/OFF button of
C11.b the machine. The charging + oil light indicators will turn on.
2 Move the throttle lever to SLOW or RUN position.
3 Push the start button until the machine starts. Now the charging + oil light indicators will turn off. If not, stop the machine immediately and contact Nilfisk service department.
- The machine can be started by means of the starter rope if the battery has gone flat. See manual from Yanmar.

Using detergents

- C12 Detergent can be added by means of the detergent injector.
1 Dilute detergent according to the manufacturer's instructions.
2 Set the pressure to the lowest setting on the lance.

CAUTION! Never allow detergent to dry on the surface to be cleaned as this may cause damage.

D

After using the unit or before leaving it unattended

Stop the pressure washer

- D3 1 Stop the engine.
2 Close the tap.
3 Operate the spray gun until the wasser is depressurized.
D6 4 Lock the safety catch.

Switching off MC PE (not apply to MC 3C)

- D1.a 1 Stop the machine by moving throttle (A) to "stop"
D1.b position.
D3 2 Switch the ignition button to "off".

MC 3C PE

- D2 Stop the machine by moving the fuel/engine/throttle lever (A) to "off" - Make sure that the choke lever (B) is off as well.

Switching off MC PE with electric start (MC 7P)

- D4 1 Stop the washer by moving the throttle lever to STOP position.
2 Switch off the ignition by turning the key to OFF position.

Switching off MC DE

- D5 1 Stop the washer by moving the throttle lever to STOP position.
2 Switch off the ignition by pushing the ON/OFF button. The light indicators will now turn off.

Disconnecting supply lines

- Shut the fuel cock.
- Remove the water hose from the washer.

E

Storing the cleaner below 0°C

- Store the pressure washer in a dry room without danger of frost.
- IMPORTANT!** If the high-pressure washer is stored in a room with temperatures around or below 0°C, anti-freeze should be drawn into the pump beforehand:
- Remove the water inlet hose from the washer.
 - Remove the lance.
 - Start the washer and stop it again after max. one minute.
 - Connect the suction hose to the water inlet of the washer and place it in a tank containing anti-freeze.
 - Start the washer.
 - Hold the spray gun over the tank containing anti-freeze and activate it to start suction of anti-freeze.
 - During suction operate the spray gun two or three times.
 - Lift the suction hose from the tank containing anti-freeze and activate the spray gun to pump out the remaining anti-freeze.
 - Stop the washer.

F

Maintenance & trouble shooting

Maintenance of motor according to separate operating instructions from the engine supplier

Maintenance work

Clean water filter

- A water filter is fitted on the water inlet to prevent large particles of dirt from entering into the pump.
- Unscrew the union nut.
 - Remove the filter and rinse it. Replace damaged filter.
 - Tighten the union nut gently, so as to avoid damaging the gasket.

Clean high pressure nozzle

- A blocked nozzle causes excessive pump pressure. It must therefore be cleaned immediately.
- Stop the washer.
 - Remove the lance.
 - Clean the nozzle with a needle.
 - Rinse the lance with water from the nozzle side.

NOTE! Use the cleaning needle only when the spray lance has been removed.

The fuel engine stops automatically if the oil level is low. You can start the petrol engine again once you have added oil (does not apply to MC 2C PE).

Checking the oil level

- F1 • Check whether the oil level is in the middle of the oil
- F2 inspection glass, oil cup or dip stick. Top up with oil if
- F3 necessary. (MC 2C, 7P does not have oil stick. MC 2C does not have inspection or dip stick).

Changing the pump/gear oil (does not apply to MC 2C, 7P)

- F4 1 Before changing the oil, allow the pressure washer to
- F5 become warm.
- 2 Unscrew/open the plugs/lid at the top and the bottom of the pump.
- 3 Allow the oil to drain into a suitable container (min. 1 l capacity) and dispose of oil in compliance with regulations.
- 4 Mount plug at the bottom of the pump.
- 5 Fill pump with fresh oil.
- 6 Check the oil level.

Replace the battery

- F6 1 Disconnect the battery poles:
- F7 – (black) first and then +(red).
- 2 Loosen the battery clamps/holders.
- 3 Remove and dispose battery according to local regulations
- 4 Replace it with an original battery or one with the same specifications.
- 5 Tighten the battery clamps/holders.
- 6 Connect the battery poles:
+ (red) first and then – (black).


Maintenance plan

	weekly	every six months or 500 operating hours	as required
Clean water filter	•		
Clean high pressure nozzle			•
Check oil level	•		
Change oil - Note: First time after 50 hours		•	

Accessories

		MC 2C 160/740 PET	MC 3C 180/750 PET	MC 4C 210/770 PEXT	MC 5C 240/940 PE	MC 5C 280/1000 PE
Hose reel		Option 107144825	Option 107144825	Standard	Option 107144825	Option 107144825
Gun-Lance holder		Standard	Standard	Standard	Standard	Standard
Hose length	M	10 (DN6)	10 (DN6)	15 (DN6)	10 (DN8)	10 (DN10)
Lance		4in1	4in1	FlexoPower Lance 96cm	FlexoPower Lance 96cm	Tornado Lance 100cm
Wheels		Flat Free	Flat Free	Flat Free	Flat Free	Flat Free
Battery		-	-	-	-	-

Further information

Recycling the pressure washer 

If the pressure washer is discarded, make it unusable immediately.

- Dismount the ignition plug.

The pressure washer contains valuable materials that should be recycled. Contact your local waste disposal site. If you have any queries, please contact your local authorities or your nearest dealer.

Guarantee

Your Nilfisk product is guaranteed for 12 months from date of purchase (purchase receipt must be presented) on the following conditions:

- that defects are attributable to flaws or defects in materials or workmanship. (Usual wear and tear as well as misuse are not covered by the guarantee).
- that repairs have not been carried out or attempted by other than Nilfisk-trained service staff.
- that only original accessories have been applied.
- that the product has not been exposed to abuse such as knocks, bumps or frost.
- that the instructions in the manual have been carefully observed.

A warranty repair comprises the replacement of defective parts, but it does not cover freight and packaging charges. Besides we refer to national Sale of Goods Act.

Any **illegitimate** guarantee repair will be invoiced. (I.e. malfunctions due to **causes** mentioned in section “**Trouble shooting**” of the instruction manual).

		MC 5C 280/1000 PEXT	MC 5M 280/1100 PE	MC 5M 290/1050 PE Cage	MC 5M 195/1000 DE	MC 7P 220/1120 PE PLUS
Hose reel		Standard	Option 107144825	Option 107144825	Option 301001310	-
Gun-Lance holder		Standard	Standard	Standard	Standard	Standard
Hose length	M	20 (DN10)	10 (DN10)	15 (DN10)	10 (DN8)	10 (DN8)
Lance		Tornado Lance 100cm	Tornado Lance 100cm	Tornado Lance 100cm	Tornado Lance 100cm	Tornado Lance 100cm
Wheels		Flat Free	Flat Free	4 foam	2 rubber/2 plastic	2 rubber/2 plastic
Battery		-	-	-	Standard 3804523 12V 44Ah 360 A	Standard 106268017 12V 18Ah SLA1218

Troubleshooting

Fault	Cause	Remedy
Pressure drop	<ul style="list-style-type: none"> - Air in the system. - High-pressure nozzle blocked/worn. - Pressure control on the lance is not set correctly. - Engine speed too low. 	<ul style="list-style-type: none"> - Vent the system by operating the spray gun several times at short intervals. If necessary, dismount the lance (see section C6). - Clean/replace the high-pressure nozzle. - Set the required working pressure. - Contact Nilfisk Service Department.
Pressure fluctuations	<ul style="list-style-type: none"> - Lack of water. - Pump/accessories partially frozen. - Water inlet hose is too long or its cross-section too small. - Lack of water caused by blocked water filter. 	<ul style="list-style-type: none"> - Open the tap. - Thaw machine and accessories. - Use prescribed size of water inlet hose. - Clean the water filter in the water connection (never operate the machine without water filter mounted!).
In suction mode	<ul style="list-style-type: none"> - Lack of water because max. permissible suction height has not been heeded. - Water too hot. - Pump draws in air (only possible in suction mode). 	<ul style="list-style-type: none"> - See chapter C7 - See chapter C7 - Check that the suction set is air-tight. Repeat aeration.
Excess pressure	<ul style="list-style-type: none"> - Engine's throttle control is defective (accessory). 	<ul style="list-style-type: none"> - Give less gas/contact Nilfisk Service Department.
The motor does not start	<ul style="list-style-type: none"> - Low fuel level. - Low oil level in engine. - The pump is blocked or frozen. 	<ul style="list-style-type: none"> - Open fuel cock/fill with fuel. - Fill with oil. - Thaw machine/contact Nilfisk Service Department.
Easy start not working - Starter rope (MC PE 2019)	<ul style="list-style-type: none"> - Low oil level (sensor). - Full pressure in system. 	<ul style="list-style-type: none"> - Fill oil. - Pull trigger at gun to release pressure, while pulling starter rope.
The motor stops	<ul style="list-style-type: none"> - Low oil level in engine - Low oil level in pump(does not apply to MC 2C) 	<ul style="list-style-type: none"> - Fill with oil. - Fill with oil.
When a detergent injector is used	<ul style="list-style-type: none"> - Injector is dirty or suction hose is blocked - Detergent tank is empty. - The lance is not set to low pressure 	<ul style="list-style-type: none"> - Clean. - Fill the detergent tank. - Adjust the lance to low pressure.

Declaration of Conformity

Prohlášení o shodě
 Konformitätserklärung
 Overensstemmelseserklæring
 Declaración de conformidad
 Vastavusdeklaratsioon
 Déclaration de conformité
 Vaatimustenmukaisuusvakuutus

Декларация за съответствие

Δήλωση συμμόρφωσης
 Megfelelősségi nyilatkozat
 Izjava o skladnosti
 Dichiarazione di conformità
 Atitikties deklaracija
 Atbilstības deklarācija
 Samsvarserklæring
 Conformiteitsverklaring

Declaração de conformidade

Deklaracja zgodności
 Declaratie de conformitate
 Декларация о соответствии
 Försäkran om
 överensstämmelse
 Vyhlášení o zhode
 Izjava o skladnosti
 Uygunluk beyanı

Manufacturer / Výrobce / Hersteller / Fabrikant /
 Fabricante / Κατασκευαστής / Gyártó / Proizvođač /
 Fabbricante / Gamintojas / Ražotājs / Producent / Fabrikant
 / Fabricante / Producent / Producător / производитель /
 Tillverkaren / Výrobca / Proizvajalec / Üretici firma:

**Nilfisk A/S, Kornmarksvej 1
 DK-2605 Broendby, DENMARK**

Product / Produkt / Producto, Toode, Produit, Tuote/
 Продукт / Προϊόν / Termék / Proizvod / Prodotto /
 Produkta / Produkts / Artikel / Produtos / Produs / Izdelek
 / Ürün

MC PE, MC DE series

Description / Popis / Beschreibung / Beskrivelse /
 Descripción / Kirjeldus / La description / Kuvaus / Описание
 / Περιγραφή / Leirás / Opis / Descrizione / Aprašymas /
 Apraksts / Beschrijving / Descrição / Descriere / Beskrivning
 / Popis / Açıklama

**HPW - Professional - Mobile -
 Combustion engine
 Petrol/Diesel driven**



**We, Nilfisk hereby declare under our sole
 responsibility, that the above-mentioned
 product(s) is/are in conformity with the
 following directives and standards.**



Mes, "Nilfisk pareiškiu vienašališkos
 atsakomybės, kad pirmiau minėtas
 produkta atitinka šias direktyvas ir
 standartu



My, Nilfisk prohlašujeme na svou výlučnou
 odpovědnost, že výše uvedený výrobek je ve
 shodě s následujícími směrnici a normami.



Mēs, Nilfisk šo apliecinu ar pilnu atbildību,
 ka iepriekš minētais produkts atbilst šādām
 direktīvām un standartie



Wir, Nilfisk erklären in alleiniger
 Verantwortung, dass das oben genannte
 Produkt den folgenden Richtlinien und Normen
 entspricht.



Vi, Nilfisk erklærer herved under eget
 ansvar, at det ovennevnte produktet er i
 samsvar med følgende direktiver og
 standarder



Vi, Nilfisk erklærer hermed under eget ansvar
 at ovennævnte produkt(er) er i
 overensstemmelse med følgende direktiver og
 standarder.



We verklaren Nilfisk hierbij op eigen
 verantwoordelijkheid, dat het
 bovengenoemde product voldoet aan de
 volgende richtlijnen en normen



Nosotros, Nilfisk declaramos bajo nuestra única
 responsabilidad que el producto antes
 mencionado está en conformidad con las
 siguientes directivas y normas



Nós, a Nilfisk declaramos, sob nossa
 exclusiva responsabilidade, que o produto
 acima mencionado está em conformidade
 com as diretrizes e normas a seguir



Meie, Nilfisk Käesolevaga kinnitame ja
 kanname ainuisikulist vastutust, et eespool
 nimetatud toode on kooskõlas järgmiste
 direktiivide ja



My, Nilfisk Niniejszym oświadczamy z
 pełną odpowiedzialnością, że wyżej
 wymieniony produkt jest zgodny z
 następującymi dyrektywami i normami..

- FR** Nilfisk déclare sous notre seule responsabilité que le produit mentionné ci-dessus est conforme aux directives et normes suivantes.
- FI** Me, Nilfisk täten vakuutamme omalla vastuulla, että edellä mainittu tuote on yhdenmukainen seuraavien direktiivien ja standardien mukaisesti
- BG** Ние, Nilfisk С настоящото декларираме на своя лична отговорност, че посочените по-горе продуктът е в съответствие със следните директиви и стандарти.
- EL** Εμείς, Nilfisk δηλώνουμε με αποκλειστική μας ευθύνη, ότι το προαναφερόμενο προϊόν συμμορφώνεται με τις ακόλουθες οδηγίες και πρότυπα.
- HU** Mi, Nilfisk Kijelentjük, egyedüli felelősséggel, hogy a fent említett termék megfelel az alábbi irányelveknek és szabványoknak
- HR** Mi, Nilfisk Izjavljujemo pod punom odgovornošću, da gore navedeni proizvod u skladu sa sljedećim direktivama i standardima.
- IT** Noi, Nilfisk dichiara sotto la propria responsabilità, che il prodotto di cui sopra è conforme alle seguenti direttive e norme.
- RO** Noi, Nilfisk Prin prezenta declarăm pe propria răspundere, că produsul mai sus menționat este în conformitate cu următoarele standarde și directive
- RU** Ми, Нилфиск овим изјављујем под пуном одговорношћу, да наведеног производ је у складу са следећим директивама и стандардима
- SV** Vi Nilfisk förklarar härmed under eget ansvar att ovan nämnda produkt överensstämmer med följande direktiv och normer.
- SK** My, Nilfisk prehlasujeme na svoju výlučnú zodpovednosť, že vyššie uvedený výrobok je v zhode s nasledujúcimi smernicami a normami.
- SL** Mi, Nilfisk izjavljamo s polno odgovornostjo, da je zgoraj omenjeni izdelek v skladu z naslednjimi smernicami in standardi.
- TR** Nilfisk, burada yer alan tüm sorumluluklarımıza göre, yukarıda belirtilen ürünün aşağıdaki direktifler ve standartlara uygun olduğunu beyan ederiz.

2006/42/EC	EN 60335-1:2012+A11:2014+A13:2017 EN 60335-2-79:2012
2014/30/EU	EN 55014-2:2015 EN 55012:2007+A1:2009
2011/65/EU	EN 50581:2012
2000/14/EC – Conformity assessment procedure according to Annex V.	- Measured sound power level: 92-106 dB(A); Guaranteed sound power level: 95-109 dB(A)

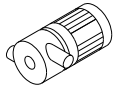



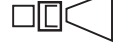
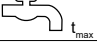





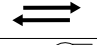
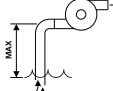




Authorized signatory:

Pierre Mikaelsson, Executive Vice President, Global Products & Services, Nilfisk NLT

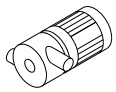



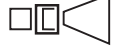




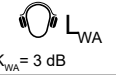


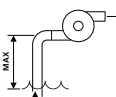
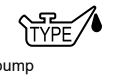
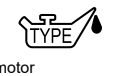


Sep 3, 2019

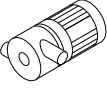



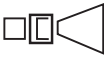




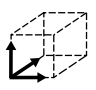

Specifications

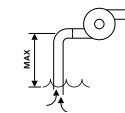
			MC 2C 160/740 PET	MC 3C 180/750 PET	MC 4C 210/770 PEXT	MC 5C 240/940 PE	MC 5C 280/1000 PE
			106404532	106404533	106404535	106404536	106404538
1			Direct	Direct	Direct	Direct	Direct
2	 P _{max}	bar Бар 巴	160	180	210	240	280
3	 Q _{MAX}	l/h	740	750	770	940	1000
4	 Q _{IEC}	l/h	670	690	690	850	950
5			0370	0400	0340	0370	0370
6	 t _{max}	°C	60	60	60	60	60
7	 p _{min} / p _{max}	bar Бар 巴	1/10	1/10	1/10	1/10	1/10
8		mm 毫米	533x521x935	533x521x935	546x615x1021	546x615x1021	668x572x1021
9	 kg	kg кг	30,2	32,2	39,9	44,8	52
10	 L _{WA} K _{WA} = 3 dB	dB(A) дБ(A)	105,6	101,4	102,4	100,8	102,6
11	 a _h (ISO 5349 a _h)	m/s ² 米/秒 ²	≤ 2,5	≤ 2,5	≤ 1	2,93 ±0,8	3,54 ±0,85
12		N	30,27	32,17	33,03	47,88	48,43
13		M	0,762	1,524	1,524	1,524	1,524
14	 TYPE pump	L/л/升	0,14 AR64545 (Sealed) Add Only	0,162 SAE 30 NON DETERGENT	0,162 SAE 30 NON DETERGENT	0,473 SAE 30 NON DETERGENT	0,473 SAE 30 NON DETERGENT
15	 TYPE motor	L/л/升	0,6 SAE 10 W 30	0,6 SAE 10 W 30	0,6 SAE 10 W 30	1,1 SAE 10 W 30	1,1 SAE 10 W 30
16		L/л/升 Type	-	-	-	-	-
17		L/л/升	3,59	4,06	3,1	5,3	6,1



Specifications

			MC 5C 280/1000 PEXT	MC 5M 280/1100 PE	MC 5M 290/1050 PE Cage	MC 5M 195/1000 DE	MC 7P 220/1120 PE PLUS
			106404539	106404540	106404542	106174740	106174807
1			Direct	Direct (Gearbox)	Direct (Gearbox)	Direct	Direct
2	 P _{max}	bar Бар 巴	280	280	290	195	220
3	 Q _{MAX}	l/h	1000	1100	1050	1000	1120
4	 Q _{IEC}	l/h	950	1040	1000	950	1010
5			0370	0450	0400	0530	0500
6	 t _{max}	°C	60	60	60	60	80
7	 P _{min} / P _{max}	bar Бар 巴	1/10	1/10	1/10	1/10	1/10
8		mm 毫米	546x615x1021	713x572x1021	1295x762x955	800x565x1010	800x690x810
9		kg кг	60	61	80	110	93
10	 L _{WA} K _{WA} = 3 dB	dB(A) дБ(A)	102,2	105,9	106,3	105,9	103,1
11	 a _h (ISO 5349 a _h)	m/s ² 米/秒 ²	≤ 1,5	≤ 2,5	≤ 2,0	≤ 2,5	4,6 ±0,95
12		N	48,43	58,93	58,12	45	52,7
13		M	1,524	2,1336	2,1336	1,0	2,5
14	 TYPE pump	L/л/升	0,473 SAE 30 NON DETERGENT	0,458 SAE 30 NON DETERGENT	0,458 SAE 30 NON DETERGENT	0,56/0,27 SAE 15-40	1,1 Castrol Alphasyn 150
15	 TYPE motor	L/л/升	1,1 SAE 10 W 30	1,1 SAE 10 W 30	1,1 SAE 10 W 30	1,65 SAE 15-40	1 SAE 15-40
16		L/л/升 Type	-	0,22/SAE 80 W 90	0,22/SAE 80 W 90	-	-
17		L/л/升	6,1	6,1	6,1	5,50 (diesel)	6,10

1		<p>EN: Engine drive DE: Motorantrieb FR: Moteur d'entraînement NL: Motor aandrijving IT: Azionamento del motore NO: Motordrift SV: Motordrivning DA: Motordrev FI: Moottorin käyttö ES: Accionamiento del motor PT: Acionamento do motor EL: Κινητήρας TR: Motor sürücü SL: Pogon motorja HR: Pogon motora SK: Pohon motora CS: Pohon motoru PL: Napęd silnika HU: Motorhajtás RO: Transmisie motor BG: Задвижване на двигателя RU: Привод двигателя ET: Mootori ajam LV: Motora piedziņa LT: Variklio pavara JA: エンジン駆動 ZH: 发动机驱动 KO: 엔진 구동 TH: เครื่องยนต์ขับเคลื่อน MS: Pemacu enjin</p>
2	 P _{max}	<p>EN: Max. water pressure. DE: Max Wasserdruck. FR: Pression d'eau maximale. NL: Max. waterdruk. IT: Max. pressione dell'acqua. NO: Maks. vanntrykk. SV: Max vattentryck. DA: Max. vandtryk. FI: Suurin vedenpaine. ES: Presión máxima de entrada del agua. PT: Pressão máxima de água. EL: Μέγ. πίεση νερού. TR: Maks. su basıncı. SL: Najv. vodni tlak. HR: Maksimalni tlak vode. SK: Maximálny tlak vody. CS: Max. tlak vody. PL: Maks. ciśnienie wody. HU: Max. víznyomás. RO: Presiune max. apă. BG: Макс. налягане на водата. RU: Макс. давление воды. ET: Max veesurve. LV: Maks. ūdens spiediens. LT: Maks. vandens slėgis. JA: 最高水圧 ZH: 最大水压. KO: 최대 수압. TH: ความดันน้ำสูงสุด MS: Tekanan air maksimum.</p>
3	 Q _{max}	<p>EN: Water flow DE: Wasserdurchsatz. FR: Débit d'eau. NL: Waterdoorstroming. IT: Flusso dell'acqua. NO: Vanntilførsel. SV: Vattenflöde. DA: Vandmængde. FI: Vedevirtaus. ES: Flujo de agua. PT: Fluxo de água. EL: Ποή νερού. TR: Su akışı. SL: Pretok vode. HR: Protok vode. SK: Prietok vody. CS: Průtok vody. PL: Przepływ wody. HU: Vízátfolyás. RO: Debit apă. BG: Воден поток. RU: Расход воды. ET: Veevool. LV: Ūdens plūsma. LT: Vandens srautas. JA: 流水. ZH: 水流量 KO: 급수량. TH: การไหลของน้ำ MS: Aliran air.</p>
4	 Q _{IEC}	<p>EN: Water flow. DE: Wasserdurchsatz. FR: Débit d'eau. NL: Waterdoorstroming. IT: Flusso dell'acqua. NO: Vanntilførsel. SV: Vattenflöde. DA: Vandmængde. FI: Vedenvirtaus. ES: Flujo de agua. PT: Fluxo de água. EL: Ποή νερού. TR: Su akışı. SL: Pretok vode. HR: Regulacija protoka vode. SK: Prietok vody. CS: Průtok vody. PL: Przepływ wody. HU: Vízátfolyás. RO: Debit apă. BG: Воден поток. RU: Расход воды. ET: Veevool. LV: Ūdens plūsma. LT: Vandens srautas. JA: 流水 ZH: 水流量 KO: 급수량. TH: การไหลของน้ำ MS: Aliran air.</p>
5		<p>EN: High pressure nozzle DE: Hochdruckdüse. FR: Buse haute pression. NL: Hogedruksproeier. IT: Ugello alta pressione. NO: Høytrykksmunnstykke. SV: Högtrycksmunstycke. DA: Højtryksdyse. FI: Korkeapainesuutin. ES: Boquilla de alta presión. PT: Bocal de alta pressão. EL: Ακροφύσιο υψηλής πίεσης. TR: Yüksek basınçlı ağız. SL: Šoba za visoki pritisk. HR: Visokotlačna mlaznica. SK: Vysokotlaková hubica. CS: Vysokotlaká tryska. PL: Dysza wysokociśnieniowa. HU: Nagynyomású fúvóka. RO: Duză de înaltă presiune. BG: Дюза за високо налягане. RU: Сопло высокого давления. ET: Kõrgsurve otsak. LV: Augstspiediena sprausla. LT: Aukšto slėgio purkštukas. JA: 高压カノズル. ZH: 高压喷嘴. KO: 고압 노즐 TH: หัวฉีดแรงดันสูง MS: Nozel tekanan tinggi.</p>

6		°C	<p>EN: Max water inlet temperature, Intake-Pressure operation. DE: Max Wassereinlassstemperatur - Druckbetrieb. FR: Température max. de l'entrée d'eau en mode admission/pression. NL: Max. Waterinlaattemperatuur Inlaat-Tijdens. Bedrijf. IT: Temperatura max. alimentazione acqua Funzionamento a ingressopressione. NO: Maks. temperatur vanninntak, Inntakstrykk drift. SV: Max ingående vattentemperatur inlopps-tryckdrift. DA: Maks. vandtilgangstemperatur, tilgangstrykdrift. FI: Tuloveden suurin lämpötila, käytettäessä painepesurina. ES: Temperatura y presión máxima de entrada del agua. PT: Temperatura máxima de entrada de água, Funcionamento da pressão de entrada. EL: Μεγ. θερμοκρασία εισόδου νερού-λειτουργίας πίεσης. TR: Maks. su girişi sıcaklığı Emme-Basınçlı çalışma. SL: Najv. vstopna temperatura vode, vstopni tlak pri delovanju. HR: Maks. temperatura ulazne vode, tlak pri usisavanju. SK: Max. vstupná teplota vody, Prevádzka v nasávacom režime pod tlakom. CS: Max. teplota vody na vstupu, provozní sací tlak. PL: Maks. temperatura na dopływie wody z instalacji wodociągowej. HU: Max. bemenő vízhőmérséklet Szívónyomásos üzem. RO: Temperatura max. de admisie apă în cazul alimentării de la robinet. BG: Макс. температура на входящата вода – работа в режим на засмукване. RU: Макс. температура воды на входе (всасывание/подача под давлением). ET: Max vee sisselasketemperatuur Sissevõturihk töö ajal. LV: Maks. ūdens ieplūdes temperatūra ieplūdes-spiediena darbībā. LT: Didžiausia vandens paėmimo temperatūra, veikimas esant jėjimo slėgiui. JA: 最高流入水温度、吸気圧力動作。 ZH: 进水压力操作时的最高进水水温 KO: 최대 급수 온도 주입/압력 작동. TH: อุณหภูมิน้ำเข้าสูงสุด ความดันในการใช้งานบริเวณทางเข้า MS: Suhu maksimum air masuk, Kemasukan-Operasi tekanan.</p>
7		bar Бар 巴	<p>EN: Min/Max. water inlet pressure. DE: Min/Max. Wassereinlassdruck. FR: d'eau en mode admission/pression. NL: Min/Max. waterinlaatdruk. IT: Pressione min/max. alimentazione acqua. NO: Min/Maks. trykk vanninntak. SV: Min/Max tryck för vatteninlopp. DA: Min/Maks. Vandtilgangstryk. FI: Min/max. tulovesi paine. ES: Presión mínima/máxima de entrada del agua. PT: Pressão mínima/máxima de entrada de água. EL: Min / max. πίεση εισόδου νερού TR: Min/Maks. su girişi basıncı. SL: Min/Max. tlak dovoda vode. HR: Min/Maks. tlak ulazne vode. SK: Min/Max. vstupný tlak vody. CS: Min/Max. tlak vody na vstupu. PL: Min/Maks. ciśnienie na dopływie wody. HU: Min/Max. bemenő nyomás. RO: Presiunea min/max. de alimentare cu apă. BG: Мин/Макс. налягане на входяща вода. RU: Мин/Макс. давление воды на входе. ET: Min/Maks vee sissevoolusurve. LV: Min/Maks. ūdens spiediens. LT: Min/Max vandens paėmimo slėgis. JA: 最小/最大。流入水圧。 ZH: 最小/最大 进水压力 KO: 최소 / 최대 입구 압력 TH: ต่ำสุด / สูงสุด แรงดันน้ำ MS: Tekanan minimum/maksimum air masuk.</p>
8		mm 毫米	<p>EN: Dimensions LxWxH. DE: Masse LxBxH. FR: Dimensions l x p x h. NL: Afmetingen LxBxH. IT: Dimensioni, lun. x larg. x alt. NO: Mål LxBxH. SV: Dimensioner LxBxH DA: Mål LxBxH. FI: Mitat, PxLxK. ES: Dimensiones l x a x al. PT: Dimensões, C x L x A. EL: Διαστάσεις, Μ x Π x Υ. TR: Boyutlar, u x g x y. SL: Mere D x Š x V. HR: Dimenzije DxŠxV. SK: Rozmery D x Š x V. CS: Rozměry d x š x v. PL: Wymiary długo. x szer. x wys. HU: Méretek H x Sz x M. RO: Dimensiuni. L x l x î. BG: Размери Д x Ш x В. RU: Размеры, Дл. x Шир. x Выс. ET: Mõõtmed p x l x k. LV: Izmēri G x P x A. LT: Matmenys (l x p x a). JA: 外形寸法長さx幅x高さ。 ZH: 尺寸 (长 x 宽 x 高) 毫米 KO: 크기 (l x w x h). TH: ขนาด ยาว x กว้าง x สูง MS: Dimensi LxWxH.</p>
9		kg кг	<p>EN: Weight. DE: Gewicht. FR: Poids du nettoyeur. NL: Gewicht van de hogedrukreiniger. IT: Peso dell'idropulitrice. NO: Vekt høytrykksvasker. SV: Maskinens vikt. DA: Vægt. FI: Pelkän painepesurin paino. ES: Peso del limpiador. PT: Peso da máquina de limpeza. EL: Βάρος μηχανήματος καθαρισμού. TR: Temizlik makinesinin yüksekliği. SL: Masa. HR: Težina. SK: Hmotnosť. CS: Hmotnost čisticího stroje. PL: Ciężar myjki. HU: Tisztítógép tömege. RO: Greutatea aparatului. BG: Тегло. RU: Вес моечной машины. ET: Pesuri kaal. LV: Tīrītāja svars. LT: Valymo įrenginio svoris. JA: 重量。 ZH: 清洗机重量 KO: 세척기 무게. TH: น้ำหนัก MS: Berat.</p>

10		dB(A) дБ(A)	<p>EN: Sound power level L_{WA} DE: Schallleistungspegel FR: Niveau de puissance acoustique NL: Geluidsvermogeniveau IT: Livello potenza sonora NO: Lydeffektnivå SV: Ljudeffektnivå DA: Lydeffektniveau FI: Äänen tehotaaso ES: Potencia acústica PT: Nível de potência acústica EL: Επίπεδο ισχύος ήχου TR: Göre ses basıncı seviyesi SL: Raven moči zvoka. HR: Razina jakosti. SK: Hladina zvukového výkonu. CS: Hladina akustického výkonu PL: Poziom mocy akustycznej HU: Hangteljesítmény szint RO: Nivelul de putere acustică BG: Ниво на звукова мощност RU: Уровень звуковой мощности ET: Helivõimsuse tase LV: Akustiskās jaudas līmenis LT: Garso galios lygis JA: 音響パワーレベル ZH: 声功率级 KO: 소음 레벨 TH: ระดับกำลังเสียง MS: Tahap kuasa bunyi</p>
11		m/s ² 米/秒 ²	<p>EN: Vibration. DE: Vibrationen FR: Vibration NL: Vibratie IT: Vibrazioni NO: Vibrasjoner SV: Vibration DA: Vibration FI: Tärinäarvot ES: Vibración PT: Vibração EL: Δόνηση TR: Titreşimi SL: Vibracije. HR: Vibracije. SK: Vibrácie. CS: Vibrace PL: Drgania HU: Vibráció RO: Vibrații BG: Вибрации. RU: Вибрация ET: vibratsioon LV: vibrācija LT: Vibracijos JA: 振動. ZH: 振动 KO: 진동 TH: แรงสั่นสะเทือน MS: Getaran.</p>
12		N	<p>EN: Recoil forces, lance. DE: Rückstoßkraft, Sprühhrohr FR: Forces de recul, lance NL: Terugslagkracht, lans IT: Forze di rinculo, lancia NO: Rekylkraft, lanse SV: Rekylkraft, spolrör DA: Rekylkraft, dyserør FI: Rekyylivoimat, suutin ES: Fuerzas de retroceso, lanza PT: Forças de retrocesso, lança EL: Δυνάμεις οπισθοδρόμησης, διάταξη ψεκασμού χη. TR: Sarmal kuvvetler, boru SL: Povratne sile, šoba. HR: Trzajne sile, mlaznica. SK: Spätný odraz, štandardná striekacia rúra. CS: Síly zpětného rázu, násadec PL: Siły odrzutu, lanca HU: Visszaható erők, szórócső RO: Forțe de recul, țija BG: Сили на откат, крайник. RU: Сила отдачи (распылитель). ET: Tagasilöögi jõud, otsik LV: Atsitiena spēks, smidzinātājs LT: Atatrankos jėga, antgalis, JA: 反跳力、ランス。 ZH: 反冲力 (喷杆) KO: 반동력, 랜스 TH: แรงสะท้อน ถอยหลัง, ปลายทอ MS: Kuasa sentakan, lans.</p>
13		M	<p>EN: Suction height, primed - Max 8°C DE: Saughöhe, grundiert - Max. 8°C FR: Hauteur d'aspiration apprêtée - Max 8°C NL: Zuighoogte, gevuld - Max 8°C IT: Altezza di aspirazione, adescata - Max 8°C NO: Sugehøyde, grunnet - Max 8°C SV: Sughöjd, grundad - Max 8°C DA: Sugehøjde - Max 8°C FI: Imukorkeus, pohjamaalattu - enintään 8°C ES: Altura de succión, cebada - Máx. 8°C PT: Altura de sucção, preparada - Máx. 8°C EL: Ύψος αναρρόφησης, βασιμμένος σε πίεση - Μέγ. 8°C TR: Emiş yüksekliği, astarlanmış - Maks. 8°C SL: Sesalna višina, napolnjena - največ 8°C HR: Visina isisavanja, namazano - Max 8°C SK: Výška nasávania, naplnená - max. 8°C CS: Výška sání, naplněná - max. 8°C PL: Wysokość ssania, zagruntowane - maks. 8°C HU: Szívási magasság, alapozva - legfeljebb 8°C RO: Înălțimea de aspirație, amorsată - Max 8°C BG: Височина на засмукване, грундирана - Макс 8°C RU: Высота всасывания, грунтованная - макс 8°C ET: Krundi imikõrgus - maksimaalselt 8°C LV: Iesūkšanas augstums, grūntēts - ne vairāk kā 8°C LT: Įsiurbimo aukštis, gruntuotas - ne daugiau kaip 8°C JA: 吸引高さ、プライミング-最大 8°C ZH: 吸入高度, 涂底漆 - 最高 8°C KO: 흡입 높이, 프라이밍 - 최대 8°C TH: ความสูงดูด, ลงสีพื้น - สูงสุด 8°C MS: Ketinggian sedutan, bersaiz - Max 8°C</p>
14		L/л/升	<p>EN: Oil quantity, type. DE: Ölmenge, typ. FR: Quantité d'huile, type. NL: Hoeveelheid olie, type. IT: Quantità di olio, tipo. NO: Oljemengde, type. SV: Oljemängd, typ. DA: Oliemængde, type. FI: Öljymäärä, tyyppi. ES: Cantidad de aceite, tipo. PT: Quantidade de óleo, tipo. EL: Ποσότητα λαδιού, τύπος. TR: Yağ miktarı, tipi. SL: Količina olja, vrsta. HR: Količina ulja, vrsta. SK: Množstvo oleja, typ. CS: Množství oleje, typ. PL: Mnożství oleje, typ. HU: Olajmennyiség, típusa. RO: Cantitate de ulei, tip. BG: Количество масло, Тип. RU: Количество масла, Тип. ET: õli kogus, tüüp. LV: Eļļas daudzums, tips. LT: alvos kiekis, tipas. JA: オイル量種類. ZH: 猴祇类型 KO: 오일량, 유형. TH: ปริมาณน้ำมันเครื่อง ประเภท MS: Kuantiti minyak, jenis.</p>

15	 motor	<p>EN: Oil quantity, type. DE: Ölmenge, typ. FR: Quantité d'huile, type. NL: Hoeveelheid olie, type. IT: Quantità di olio, tipo. NO: Oljemengde, type. SV: Oljemängd, typ. DA: Oliemængde, type. FI: Öljymäärä, tyyppi. ES: Cantidad de aceite, tipo. PT: Quantidade de óleo, tipo. EL: Ποσότητα λαδιού, τύπος. TR: Yağ miktarı, tipi. SL: Količina olja, vrsta. HR: Količina ulja, vrsta. SK: Množstvo oleja, typ. CS: Množství oleje, typ. PL: Mnożstwo oleje, typ. HU: Olajmennyiség, típusa. RO: Cantitate de ulei, tip. BG: Количество масло, Тип. RU: Количество масла, Тип. ET: õli kogus, tüüp. LV: Eļļas daudzums, tips. LT: alyvos kiekis, tipas. JA: オイル量種類. ZH: 猴祇类型. KO: 오일량, 유형. TH: ปริมาณน้ำมันเครื่อง ประเภท. MS: Kuantiti minyak, jenis.</p>
16	 L/л/升 Type	<p>EN: Gearbox Lubrication DE: Getriebeschmierung FR: Lubrification de la boîte de vitesses NL: Smering versnellingsbak IT: Lubrificazione del cambio NO: Girkassesmøring SV: Växellådsmörjning DA: Gearkassesmøring FI: Vaihteiston voitelu ES: Lubricación de caja de engranajes PT: Lubrificação Gearbox Lubricationda caixa de engrenagens EL: Λίπανση κιβωτίου ταχυτήτων TR: Şanzıman Yağlama SL: Mazanje menjalnika HR: Podmazivanje prijenosnika SK: Mazanie prevodovky CS: Mazání převodovky PL: Smarowanie skrzyni biegów HU: Sebességváltó kenése RO: Lubrifierea cutiei de viteze BG: Смазване на скоростната кутия RU: Смазка коробки передач ET: Käigukasti määrimine LV: Pārnesumkārbas eļļošana LT: Pavary dėžės tepimas JA: ギアボックスの潤滑 ZH: 變速箱潤滑 KO: 기어 박스 윤활 TH: หล่อลื่นกล่องเกียร์ MS: Pelinciran kotak gear.</p>
17	 L л 升	<p>EN: Fuel tank. DE: Kraftstofftank. FR: Réservoir de carburant. NL: Brandstoftank. IT: Serbatoio carburante. NO: Drivstoffbeholder. SV: Bränsletank. DA: Brændstoftank. FI: Polttoainesäiliö. ES: Depósito de combustible. PT: Depósito de combustível. EL: Πεζερβουάρ καυσίμου. TR: Yakıt deposu. SL: Posoda za gorivo. HR: Spremnik goriva. SK: Palivová nádrž. CS: Palivová nádrž. PL: Zbiornik paliwa. HU: Üzemanyagtartály. RO: Rezervor de combustibil. BG: Резервоар за гориво. RU: Топливный бак. ET: Kütusepaak. LV: Degvielas tvertne. LT: Kuro bakas. JA: 燃料タンク. ZH: 油箱. KO: 연료 탱크. TH: ถังเชื้อเพลิง MS: Tangki bahan api.</p>
<p>EN: Specifications and details are subject to change without prior notice. DE: Technische Daten und Details des Geräts können sich ohne vorherige Ankündigung ändern. FR: Ces spécifications et détails sont susceptibles d'être modifiés sans préavis. NL: Specificaties en details kunnen zonder voorafgaande waarschuwing worden gewijzigd. IT: Specifiche e dettagli sono soggetti a modifiche senza preavviso. NO: Spesifikasjonene og detaljene er gjenstand for endringer uten forutgående varsel. SV: Specifikationer och information kan ändras utan föregående meddelande. DA: Ret til ændringer i konstruktion og specifikationer forbeholdes. FI: Rakenteeseen ja teknisiin tietoihin voidaan tehdä muutoksia ilmoittamatta niistä ennalta. ES: Las especificaciones y los datos están sujetos a cambios sin previo aviso. PT: As especificações e os detalhes estão sujeitos a alterações sem aviso prévio. EL: Τα τεχνικά χαρακτηριστικά και οι λεπτομέρειες υπόκεινται σε αλλαγές χωρίς προηγούμενη ειδοποίηση. TR: Özellikler ve ayrıntılar, önceden haber verilmeden değiştirilebilir. SL: Tehnični podatki in podrobnosti se lahko spremenijo brez predhodnega obvestila. HR: Specifikacije i detalji mogu se mijenjati bez prethodne najave. SK: Špecifikácie a podrobnosti sa môžu meniť bez predchádzajúceho upozornenia. CS: Technické údaje a detaily mohou být změněny i bez předchozího upozornění. PL: Specyfikacje i parametry mogą zostać zmienione bez uprzedzenia. HU: A műszaki adatok és részletek előzetes értesítés nélkül megváltozhatnak. RO: Specificațiile și detaliile pot fi modificate fără înștiințare prealabilă. BG: Спецификациите и детайлите подлежат на промяна без предварително уведомление. RU: Технические характеристики и данные могут изменяться без предварительного извещения. ET: Tehnilisi kirjeldusi ja üksikasju võidakse muuta eelneva etteatamiseta. LV: Specifikācijas un detaļas var tikt mainītas bez iepriekšēja paziņojuma. LT: Konstrukcija ir specifikacijos gali keistis be išankstinio įspėjimo. JA: 仕様および情報は事前通知無しに変更する場合があります。 ZH: 规格和详情如有变更, 恕不另行通知。 KO: 사양 및 내용은 예고없이 변경될 수 있습니다. TH: ข้อกำหนดเฉพาะและรายละเอียดสามารถเปลี่ยนแปลงได้โดยไม่ต้องแจ้งให้ทราบล่วงหน้า MS: Spesifikasi dan butiran adalah tertakluk kepada perubahan tanpa notis terlebih dahulu.</p>		



HEAD QUARTER

DENMARK

Nilfisk A/S
Kornmarksvej 1
DK-2605 Broendby
Tel.: (+45) 4323 8100
www.nilfisk.com

SALES COMPANIES

ARGENTINA

Nilfisk Argentina
Herrera 1855 Piso 4° B Ofic 405
Ciudad de Buenos Aires
Tel.: (+54) 11 6091 1576
www.nilfisk.com.ar

AUSTRALIA

Nilfisk Pty Ltd
Unit 1/13 Bessemer Street
Blacktown NSW 2148
Tel.: (+61) 2 98348100
www.nilfisk.com.au

AUSTRIA

Nilfisk GmbH
Metzgerstrasse 68
5101 Bergheim bei Salzburg
Tel.: (+43) 662 456 400 90
www.nilfisk.at

BELGIUM

Nilfisk n.v.s.a.
Riverside Business Park
Boulevard Internationalelaan 55
Bâtiment C3/C4 Gebouw
Bruxelles 1070
Tel.: (+32) 24 67 60 50
www.nilfisk.be

BRAZIL

Nilfisk do Brasil
Av. Eng. Luis Carlos Berrini, 550
40 Andar, Sala 03
SP - 04571-000 Sao Paulo
Tel.: (+11) 3959-0300 / 3945-4744
www.nilfisk.com.br

CANADA

Nilfisk Canada Company
240 Superior Boulevard
Mississauga, Ontario L5T 2L2
Tel.: (+1) 800-668-8400
www.nilfisk.ca

CHILE

Nilfisk S.A. (Comercial KCS Ltda)
Salar de Llamara 822
8320000 Santiago
Tel.: (+56) 2684 5000
www.nilfisk.cl

CHINA

Nilfisk
4189 Yindu Road
Xinzhuan Industrial Park
201108 Shanghai
Tel.: (+86) 21 3323 2000
www.nilfisk.cn

CZECH REPUBLIC

Nilfisk s.r.o.
VGP Park Horní Počernice
Do Čertous 1/2658
193 00 Praha 9
Tel.: (+420) 244 090 912
www.nilfisk.cz

DENMARK

Nilfisk Danmark A/S
Industrivej 1
Hadsund, DK-9560
Tel.: 72 18 21 20
www.nilfisk.dk

FINLAND

Nilfisk Oy Ab
Koskelontie 23 E
02920 Espoo
Tel.: (+358) 207 890 600
www.nilfisk.fi

FRANCE

Nilfisk SAS
26 Avenue de la Baltique
Villebon sur Yvette
91978 Courtabouef Cedex
Tel.: (+33) 169 59 87 00
www.nilfisk.fr

GERMANY

Nilfisk GmbH
Guido-Oberdorfer-Straße 2-10
89287 Bellenberg
Tel.: (+49) (0)7306/72-444
www.nilfisk.de

GREECE

Nilfisk A.E.
Αναπαύσεως 29
Κορωπί T.K. 194 00
Tel.: (30) 210 9119 600
www.nilfisk.gr

HOLLAND

Nilfisk B.V.
Versterkerstraat 5
1322 AN Almere
Tel.: (+31) 036 5460760
www.nilfisk.nl

HONG KONG

Nilfisk Ltd.
2001 HK Worsted Mills
Industrial Building
31-39, Wo Tong Tsui St.
Kwai Chung, N.T.
Tel.: (+852) 2427 5951
www.nilfisk.com

HUNGARY

Nilfisk Kft.
II. Rákóczi Ferenc út 10
2310 Szigetszentmiklós-Lakihegy
Tel.: (+36) 24 475 550
www.nilfisk.hu

INDIA

Nilfisk India Limited
Pramukh Plaza, 'B' Wing, 4th floor,
Unit No. 403
Cardinal Gracious Road, Chakala
Andheri (East) Mumbai 400 099
Tel.: (+91) 22 6118 8188
www.nilfisk.in

IRELAND

Nilfisk
1 Stokes Place
St. Stephen's Green
Dublin 2
Tel.: (+35) 3 12 94 38 38
www.nilfisk.ie

ITALY

Nilfisk SpA
Strada Comunale della Braglia, 18
26862 Guardamiglio (LO)
Tel.: (+39) (0) 377 414021
www.nilfisk.it

JAPAN

Nilfisk Inc.
1-6-6 Kita-shinyokohama, Kouhoku-ku
Yokohama, 223-0059
Tel.: (+81) 45548 2571
www.nilfisk.com

MALAYSIA

Nilfisk Sdn Bhd
Sd 33, Jalan KIP 10
Taman Perindustrian KIP
Sri Damansara
52200 Kuala Lumpur
Tel.: (60) 3603 627 43 120
www.nilfisk.com

MEXICO

Nilfisk de Mexico, S. de R.L. de C.V.
Pirineos #515 Int.
60-70 Microparque
Industrial WSantiago
76120 Queretaro
Tel.: (+52) (442) 427 77 00
www.nilfisk.com

NEW ZEALAND

Nilfisk Limited
Suite F, Building E
42 Tawa Drive
0632 Albany Auckland
Tel.: (+64) 9 414 1996
Website: www.nilfisk.com

NORWAY

Nilfisk AS
Bjørnerudveien 24
1266 Oslo
Tel.: (+47) 22 75 17 80
www.nilfisk.no

PERU

Nilfisk S.A.C.
Calle Boulevard 162, Of. 703, Lima
33- Perú
Lima
Tel.: (511) 435-6840
www.nilfisk.com

POLAND

Nilfisk Sp. Z.O.O.
Millenium Logistic Park
ul. 3 Maja 8, Bud. B4
05-800 Pruszków
Tel.: (+48) 22 738 3750
www.nilfisk.pl

PORTUGAL

Nilfisk Lda.
Sintra Business Park
Zona Industrial Da Abrunheira
Edifício 1, 1° A
P2710-089 Sintra
Tel.: (+351) 21 911 2670
www.nilfisk.pt

RUSSIA

Nilfisk LLC
Vyatskaya str. 27, bld. 7/1st
127015 Moscow
Tel.: (+7) 495 783 9602
www.nilfisk.ru

SINGAPORE

Den-Sin
22 Tuas Avenue 2
639453 Singapore
Tel.: (+65) 6268 1006
www.densin.com

SLOVAKIA

Nilfisk s.r.o.
Bancikovej 1/A
SK-821 03 Bratislava
Tel.: (+421) 910 222 928
www.nilfisk.sk

SOUTH AFRICA

Nilfisk (Pty) Ltd
Kimbult Office Park
9 Zeiss Road
Laser Park
Honeydew
Johannesburg
Tel.: +27118014600
www.nilfisk.co.za

SOUTH KOREA

Nilfisk Korea
#204 2F Seoulsup Kolon Digital
Tower
25 Seongsuil-ro 4-gil, Seongdong-gu
Seoul.
Tel.: (+ 82) 2 3474 4141
www.nilfisk.co.kr

SPAIN

Nilfisk S.A.
Torre d'Ara,
Passeig del Rengle, 5 Plta. 10ª
08302 Mataró
Tel.: (34) 93 741 2400
www.nilfisk.es

SWEDEN

Nilfisk AB
Taljegårdsgatan 4
431 53 Mölndal
Tel.: (+46) 31 706 73 00
www.nilfisk.se

SWITZERLAND

Nilfisk AG
Ringstrasse 19
Kircheberg/Industri Stelz
9500 Wil
Tel.: (+41) 71 92 38 444
www.nilfisk.ch

TAIWAN

Nilfisk Ltd
Taiwan Branch (H.K.)
No. 5, Wan Fang Road
Taipei
Tel.: (+88) 6227 00 22 68
www.nilfisk.tw

THAILAND

Nilfisk Co. Ltd.
89 Soi Chokechai-Ruammitr
Viphavadee-Rangsit Road
Ladyao, Jatuchak, Bangkok 10900
Tel.: (+66) 2275 5630
www.nilfisk.co.th

TURKEY

Nilfisk A.S.
Serifali Mh. Bayraktar Bulv. Sehiz
Sk. No:7
Ümraniye, 34775 Istanbul
Tel.: +90 216 466 94 94
www.nilfisk.com.tr

UNITED ARAB EMIRATES

Nilfisk Middle East Branch
SAIF-Zone
P.O. Box 122298
Sharjah
Tel.: (+971) (0) 655-78813
www.nilfisk.com

UNITED KINGDOM

Nilfisk Ltd.
Nilfisk House, Bowerbank Way
Gilwilly Industrial Estate, Penrith
Cumbria CA11 9BQ
Tel.: (+44) (0) 1768 868995
www.nilfisk.co.uk

UNITED STATES

Nilfisk, Inc.
9435 Winnetka Ave N,
Brooklyn Park
MN- 55445
www.nilfisk.com

VIETNAM

Nilfisk Vietnam
No. 51 Doc Ngu Str.
P. Vinh Phúc, Q.Ba Dinh
Hanoi
Tel.: (+84) 761 5642
www.nilfisk.com

