

# MEC 112



# MEC 112



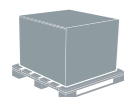
Motore monofase fornito completo di:  
 ➔ 1 condensatore 90mf (lavoro)  
 ➔ 2 condensatori 100mf per partenza  
 ➔ Disgiuntore

Monophase version supplied with  
 ➔ 1 condenser 90mf (work)  
 ➔ 2 condensers 100mf (start)  
 ➔ 1 start condenser



FASE PHASE	VOLT	HP (Kw)	RENDIMENTO EFFICIENCY	A	Cos φ	Hz (GIRI / ROUNDS)	
1	230	4 (3)	82%	16	0.98	50 (1450 rpm)	60 (1740 rpm)
3	230/400	5.5 (4)	88%	15.4 - 8.9	0.90		
3	230/400	7.5 (5.5)	86%	21 - 12	0.85		

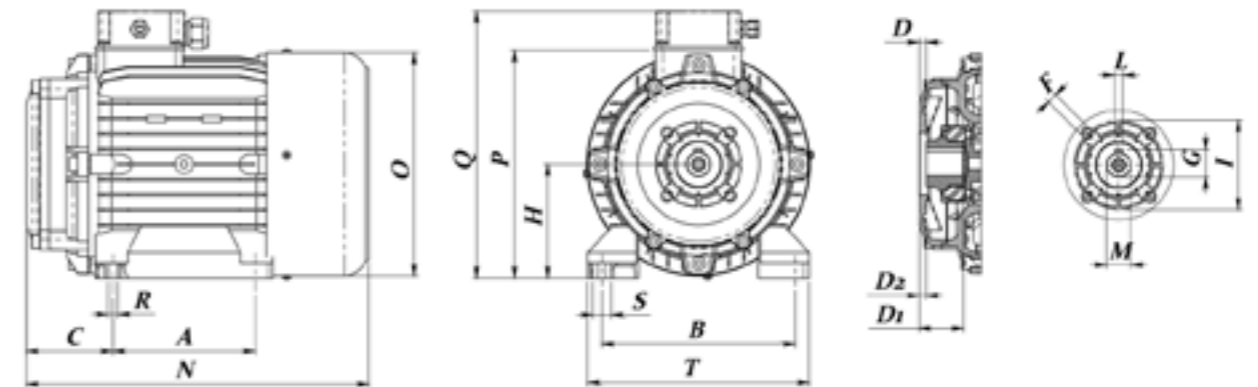
Versione monofase fornita con condensatore 60mf / Monophase version supplied with condenser 60mf included



PEZZI PER PALLET / PIECES EACH PALLET	CM	INCH	KG	LBS
1	75X60X50	29.52X23.62X19.68	37	81.57
5	100X65X50	39.37X25.6X19.68	180	396.83
10	120X80X50	47.24X31.5X19.68	360	793.66

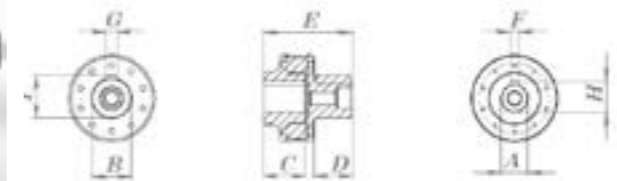
Codice Code	Fase Phase	V	Hz	Ampere	Hp (kW)	RPM		Peso netto Net weight	Pompe Mazzoni Mazzoni pumps
						50Hz	60Hz		
2.081.12.020	1	230	50/60	16	4 (3)	1450	1740	33	PM
2.081.12.013	3	230/400	50/60	15.4 - 8.9	5.5 (4)	1450	1740	33	MMD
2.081.12.026	3	230/400	50/60	15.4 - 8.9	5.5 (4)	1450	1740	33	PM
2.081.12.001	3	230/400	50/60	21 - 12	7.5 (5.5)	1450	1740	33	MMD
2.081.12.021	3	230/400	50/60	21 - 12	7.5 (5.5)	1450	1740	33	PM
2.081.12.007	3	230/400	60	21 - 12	7.5 (5.5)	1450	1740	33	MMD

## DIMENSIONI / DIMENSIONS



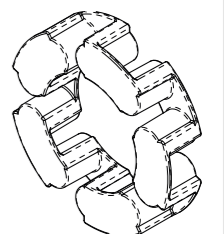
Codice Code	A	B	C	D	E	F	G	H	I	L	M	N	O	P	Q	R	S	T	D1	D2
2.081.12.020	140	190	85	11	90	7	27.3	112	75	8	24	336	218	226	265	12	22	224	50	13.5
2.081.12.013	140	190	85	6	61	10	27.3	112	88	8	24	336	218	226	265	12	22	224	45	9
2.081.12.026	140	190	85	11	90	7	27.3	112	75	8	24	336	218	226	265	12	22	224	50	13.5
2.081.12.001	140	190	85	6	61	10	27.3	112	88	8	24	336	218	226	265	12	22	224	45	9
2.081.12.021	140	190	85	11	90	7	27.3	112	75	8	24	336	218	226	265	12	22	224	50	13.5

## GIUNTO ELASTICO / ELASTIC COUPLING



Codice Code	MEC	A	B	C	D	E	F	G	H	I
3.055.02.002	112	Ø24	Ø35	36.5	33	78.5	8	8	27.3	38

### RICAMBI / SPARE PARTS



1.157.02.003  
 AMMORTIZZATORE GIUNTO  
 DAMPER FOR COUPLING