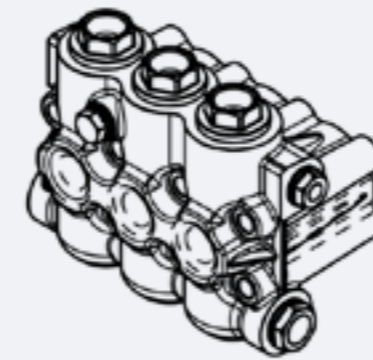


<p>MASSIMA TEMPERATURA INGRESSO ACQUA MAX INPUT WATER TEMPERATURE</p> <p>65°C 149° F</p>	<p>PRESSIONE MINIMA INGRESSO MINIMAL INPUT PRESSURE</p> <p>0.2 BAR 2.9 PSI</p>	<p>INGRESSO INLET</p> <p>G 1/2"</p>	<p>USCITA OUTLET</p> <p>G 3/8"</p>
---	---	---	--



Codice Code	Modello Model	Portata / Flow Rate lt/min - gpm		Pressione / Pressure		Potenza / Power				Albero Shaft Ø 24	mm
		1450 rpm	1740 rpm	Bar	Psi	50Hz		60Hz			
						HP	Kw	HP	Kw		
P3.031.005	XM11500R	11 2,91	13,2 3,49	500.00	7251.89	14.29	10.58	17.14	12.70	Destra / Right	45
P3.031.006	XM15500R	15 3,96	18 4,76	500.00	7251.89	19.48	14.43	23.38	17.32	Destra / Right	45
P3.031.007	XM17500R	17 4,49	20,4 5,39	500.00	7251.89	22.08	16.35	26.49	19.62	Destra / Right	55
P3.031.008	XM21500R	21 5,55	25,2 6,66	500.00	7251.89	27.27	20.20	32.73	24.24	Destra / Right	55
P3.031.013	XM11500L	11 2,91	13,2 3,49	500.00	7251.89	14.29	10.58	17.14	12.70	Sinistra/Left	45
P3.031.014	XM15500L	15 3,96	18 4,76	500.00	7251.89	19.48	14.43	23.38	17.32	Sinistra/Left	45
P3.031.015	XM17500L	17 4,49	20,4 5,39	500.00	7251.89	22.08	16.35	26.49	19.62	Sinistra/Left	55
P3.031.016	XM21500L	21 5,55	25,2 6,66	500.00	7251.89	27.27	20.20	32.73	24.24	Sinistra/Left	55

RICAMBI / SPARE PARTS



KIT - P9.040.007

TESTATA COMPLETA
COMPLETE HEAD OF THE PUMP



KIT - P9.039.002

ANELLI TENUTA OLIO ASTA
KIT OIL SEAL PUMP XM



KIT - P9.003.046

GUARNIZIONE PISTONE
KIT PLUNGER SEALS



KIT - P9.004.014

PISTONE DIAMETRO 16
KIT CERAMIC PISTON DIAMETER 16



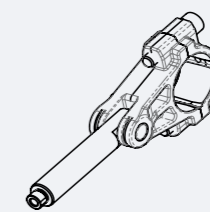
KIT - P9.001.004

VALVOLA COMPLETA
COMPLETE VALVE



KIT - P9.003.047

GUARNIZIONE PISTONE - PACCO COMPLETO
KIT COMPLETE SEALS



KIT - P9.041.005

PREMONTATO BIELLA - ASTA
PREASSEMBLED CONNECTING ROD

XM	PORTATA FLOW RATE		GIRI ROUNDS	PRESSIONE MASSIMA MAX PRESSURE		CAPACITÀ OLIO OIL CAPACITY		PESO WEIGHT	
	Lt/min	Gpm	Rpm	Bar	Psi	Lt	Gal	Kg	Lbs
50HZ	11.00 » 21.00	2.90 » 5.54	1450	500	7251.89	1.2	0.31	17	37.47
60Hz	13.20 » 25.20	3.48 » 6.65	1740						