

MEC 132



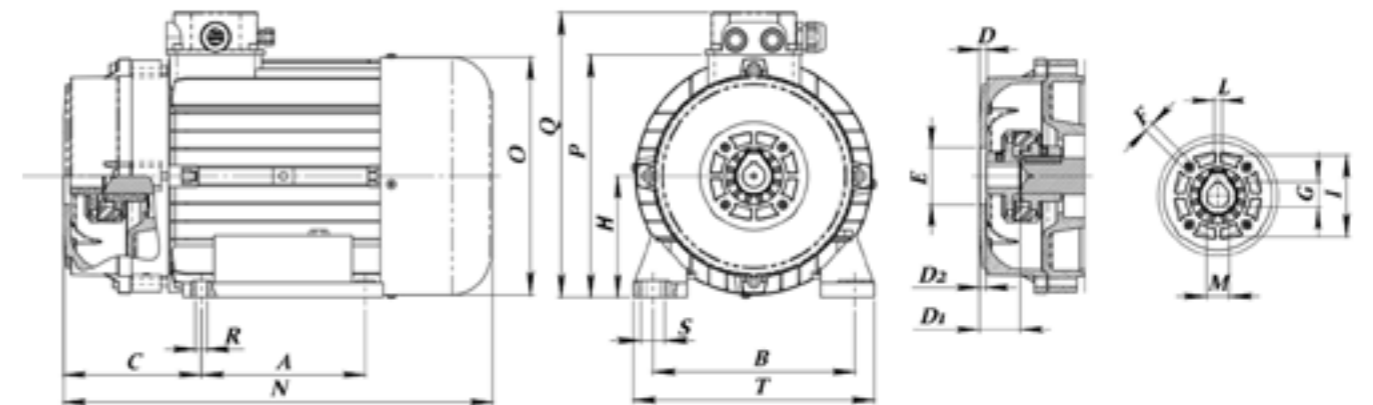
MEC 132

1740



Codice Code	Fase Phase	V	Hz	Ampere	Hp (kW)	RPM		Peso netto Net weight	Pompe Mazzoni Mazzoni Pumps
						50Hz	60Hz		
2.081.12.002	3	230/400	50/60	27.5 - 16	10 (7.5)	1450	1740	54	MMD
2.081.12.027	3	230/400	50/60	27.5 - 16	10 (7.5)	1450	1740	54	GM/XM-L.45mm
2.081.12.003	3	400/700	50/60	21 - 12	15 (11)	1450	1740	64	MMD
2.081.12.010	3	400/700	50/60	21 - 12	15 (11)	1450	1740	64	GM/XM-L.45mm
2.081.12.015	3	230/400	50/60	35.5 - 20.5	15 (11)	1450	1740	64	MMD
2.081.12.017	3	400/700	50/60	21 - 12	15 (11)	1450	1740	64	GM/XM-L.55mm
2.081.12.028	3	230/400	50/60	35.5 - 20.5	15 (11)	1450	1740	64	GM/XM-L.45mm
2.081.12.029	3	230/400	50/60	35.5 - 20.5	15 (11)	1450	1740	64	GM/XM-L.45mm

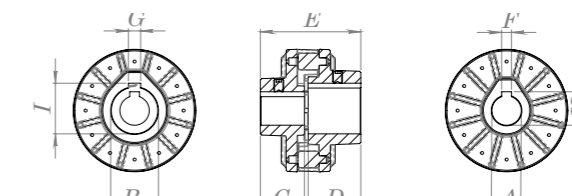
DIMENSIONI / DIMENSIONS



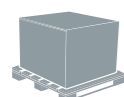
Codice / Code	A	B	C	D	E	F	G	H	I	L	M	N	O	P	Q	R	S	T	D1	D2
2.081.12.002	178	216	150	5	61	10	27.3	132	88	8	24	463	256	264	309	12	28	259	45	8
2.081.12.003	178	216	150	5	61	10	27.3	132	88	8	24	463	256	264	309	12	28	259	45	8
2.081.12.010	178	216	155	3	61	9	27.3	132	88	8	24	468	256	264	309	12	28	259	50	14
2.081.12.027	178	216	160	3	61	9	28.3	132	88	8	24	480	256	264	309	12	28	259	50	14
2.081.12.015	178	216	150	5	61	10	27.3	132	88	8	24	463	256	264	309	12	28	259	45	8
2.081.12.017	178	216	160	5	61	9	27.3	132	88	8	24	480	256	264	309	12	28	259	57	21
2.081.12.028	178	216	160	3	61	9	27.3	132	88	8	24	480	256	264	309	12	28	259	50	14
2.081.12.029	178	216	160	5	61	9	27.3	132	88	8	24	480	256	264	309	12	28	259	57	21

FASE PHASE	VOLT	HP (Kw)	RENDIMENTO EFFICIENCY	A	Cos φ	Hz (GIRI / ROUNDS)	
1	230/400	10 (7.5)	89%	27.5 - 16	0.83	50 (1450 rpm)	60 (1740 rpm)
3	230/400	15 (11)	88%	21 - 12	0.80		
3	400/700	15 (11)	90.4%	35.5 - 20.5	0.85		

GIUNTO ELASTICO / ELASTIC COUPLING



Codice Code	MEC	A	B	C	D	E	F	G	H	I
3.055.02.001	132	Ø24	Ø38	36	43	81	8	10	27.3	41.3
3.055.02.005	132	Ø25	Ø38	36	43	81	8	10	28.3	41.3



PEZZI PER PALLET / PIECES EACH PALLET	CM	INCH	KG	LBS
2	75X60X50	29.52X23.62X19.68	145	319.67
4	120X80X50	47.24X31.5X19.68	255	562.17