

PM-EDM-E3/E4

MOTORE A BENZINA / GASOLINE ENGINE



PM-EDM-E3/E4

MOTORE A BENZINA / GASOLINE ENGINE

<p>MASSIMA TEMPERATURA INGRESSO ACQUA MAX INPUT WATER TEMPERATURE</p> <p>65°C 149° F</p>	<p>PRESSIONE MINIMA INGRESSO MINIMAL INPUT PRESSURE</p> <p>0.2 BAR 2.9 PSI</p>	<p>INGRESSO INLET</p> <p>G 1/2"</p>	<p>USCITA OUTLET</p> <p>G 3/8"</p>
--	--	--	---

SAE J1609A E3
Ø 19.05mm / 0.75"

SAE J1609A E4
Ø 25.40mm / 1"

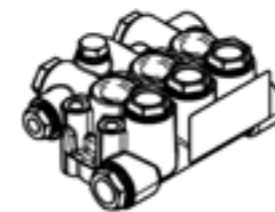


PM-EDM	PORTATA FLOW RATE		GIRI ROUNDS	PRESSIONE MASSIMA MAX PRESSURE		CAPACITÀ OLIO OIL CAPACITY		PESO WEIGHT	
	Lt/min	Gpm	Rpm	Bar	Psi	Lt	Gal	Kg	Lbs
E3	8.50 » 13.00	2.24 » 3.00	3400	200	2900	0.4	0.1	7.5	16.33
E4	8.50 » 15.00	2.24 » 3.96	3400	200	2900	0.4	1	7.5	16.33

Codice Code	Modello Model	Portata / Flow Rate lt/min - gpm		Pressione / Pressure		Potenza / Power		Albero / Shaft SAE J1609A E3 Ø 19.05mm / 0.75"
		3400 rpm		Bar	Psi	HP	Kw	
P3.010.301	PM8200R-EDM-E3	8.50	2,24	200.00	2900	4,42	3,29	Destra / Right
P3.010.302	PM11200R-EDM-E3	11.00	2,90	200.00	2900	5,71	4,26	Destra / Right
P3.010.303	PM14200R-EDM-E3	14.00	3,7	200.00	2900	7,27	5,42	Destra / Right
P3.010.304	PM8200L-EDM-E3	8.50	2,24	200.00	2900	4,42	3,29	Sinistra / Left
P3.010.305	PM11200L-EDM-E3	11.00	2,90	200.00	2900	5,71	4,26	Sinistra / Left
P3.010.306	PM14200L-EDM-E3	14.00	3,7	200.00	2900	7,27	5,42	Sinistra / Left

Codice Code	Modello Model	Portata / Flow Rate lt/min - gpm		Pressione / Pressure		Potenza / Power		Albero / Shaft SAE J1609A E4 Ø 25.40mm / 1"
		3400 rpm		Bar	Psi	HP	Kw	
P3.010.307	PM8200R-EDM-E4	8.50	2,24	200.00	2900	4,42	3,29	Destra / Right
P3.010.308	PM10200R-EDM-E4	10.00	2,64	200.00	2900	5,19	3,87	Destra / Right
P3.010.309	PM11200R-EDM-E4	11.50	3,03	200.00	2900	5,97	4,45	Destra / Right
P3.010.310	PM14200R-EDM-E4	14.00	3,7	200.00	2900	7,27	5,42	Destra / Right
P3.010.311	PM15200R-EDM-E4	15.00	3,96	200.00	2900	7,79	5,81	Destra / Right
P3.010.312	PM8200L-EDM-E4	8.50	2,24	200.00	2900	4,42	3,29	Sinistra / Left
P3.010.313	PM10200L-EDM-E4	10.00	2,64	200.00	2900	5,19	3,87	Sinistra / Left
P3.010.314	PM11200L-EDM-E4	11.50	3,03	200.00	2900	5,97	4,45	Sinistra / Left
P3.010.315	PM14200L-EDM-E4	14.00	3,7	200.00	2900	7,27	5,42	Sinistra / Left
P3.010.316	PM15200L-EDM-E4	15.00	3,96	200.00	2900	7,79	5,81	Sinistra / Left

RICAMBI / SPARE PARTS



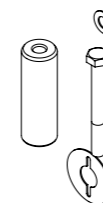
KIT - P9.040.034

TESTATA COMPLETA
COMPLETE HEAD OF THE PUMP



KIT - P9.003.051

GUARNIZIONE PISTONE - PACCO COMPLETO
KIT COMPLETE SEALS



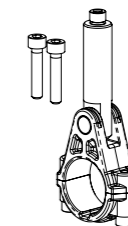
KIT - P9.004.021

PISTONE DIAMETRO 14
KIT CERAMIC PISTON - DIAMETER 14



KIT - P9.039.001

ANELLI TENUTA OLIO ASTA
KIT OIL SEAL PUMP MM PM



KIT - P9.041.008

PREMONTATO BIELLA - ASTA
PREASSEMBLED CONNECTING ROD



KIT - P9.003.050

GUARNIZIONE PISTONE
KIT PLUNGER SEALS



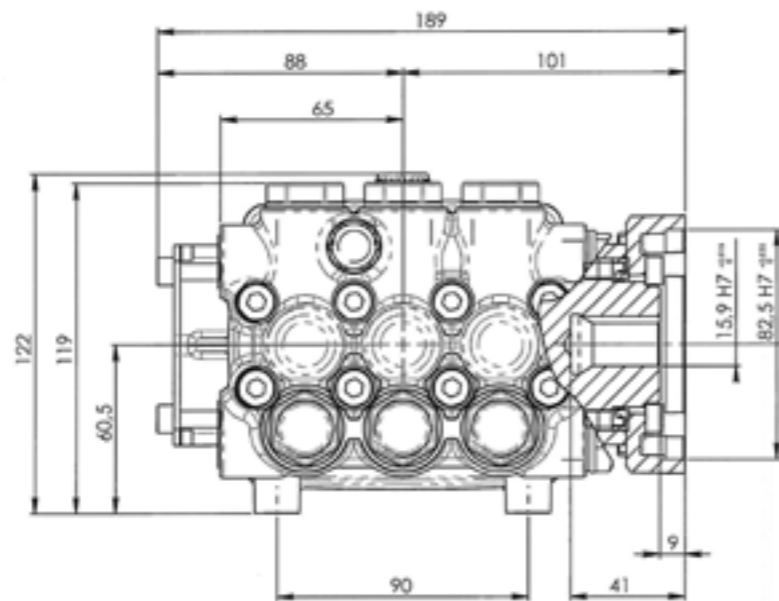
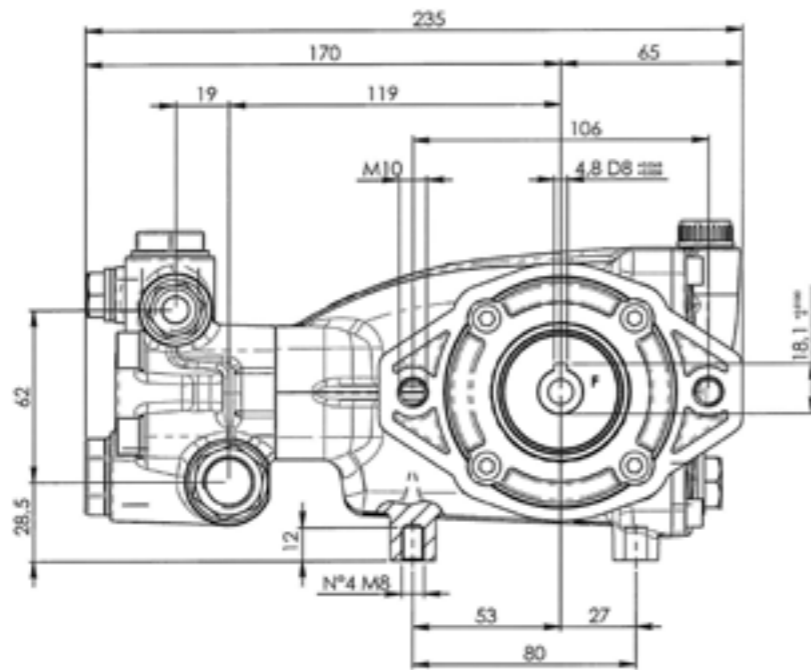
KIT - P9.001.002

VALVOLA COMPLETA
COMPLETE VALVE





PM-HY | SAE A

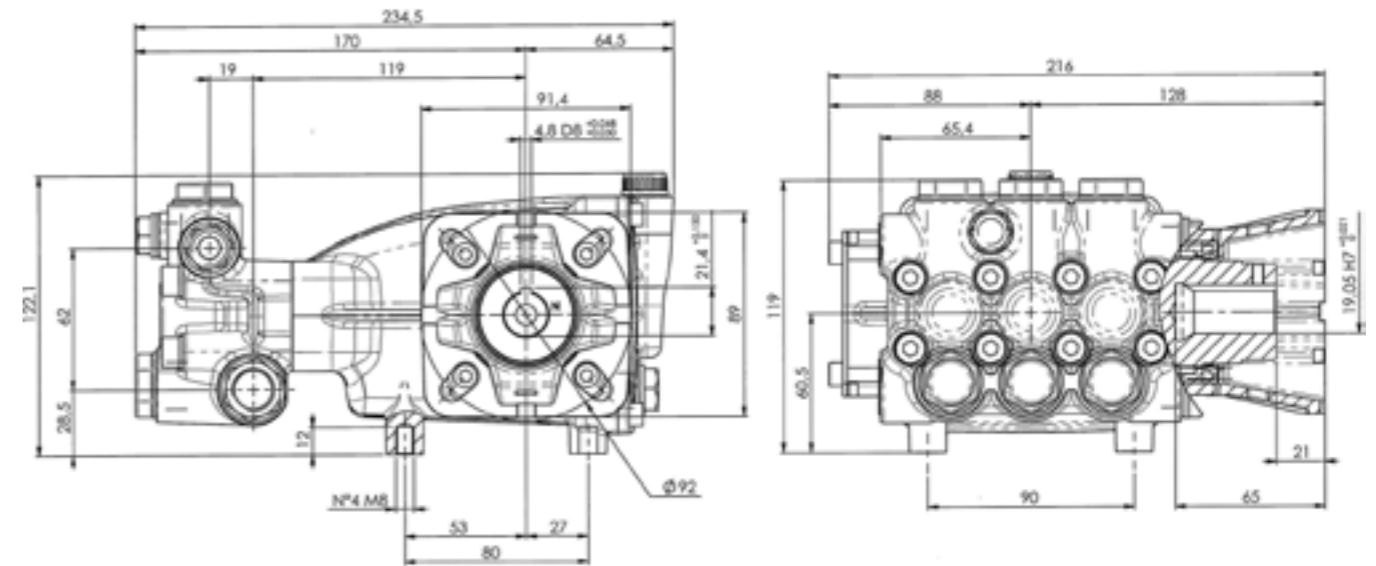
 TIPOLOGIA DI MOTORE ENGINE TYPE	PORTATA FLOW RATE	PRESSIONE MASSIMA MAX PRESSURE	MAX. TEMP. INGRESSO ACQUA MAX INPUT WATER TEMPERATURE
	 MOTORE IDRAULICO HYDRAULIC MOTOR	8.00 - 14.00 lt/min 2.14 - 3.69 gpm	170 Bar 2465 Psi



PM-EDM

 TIPOLOGIA DI MOTORE ENGINE TYPE		PORTATA FLOW RATE	PRESSIONE MASSIMA MAX PRESSURE	MAX. TEMP. INGRESSO ACQUA MAX INPUT WATER TEMPERATURE
		 MOTORE A BENZINA FUEL MOTOR	E3	8.50 - 13.00 lt/min 2.24 - 3.43 gpm
E4	8.50 - 15.00 lt/min 2.24 - 3.96 gpm	200 Bar 2900 Psi		

PM-EDM E3 | SAE J1609A



PM-EDM E4 | SAE J1609A

