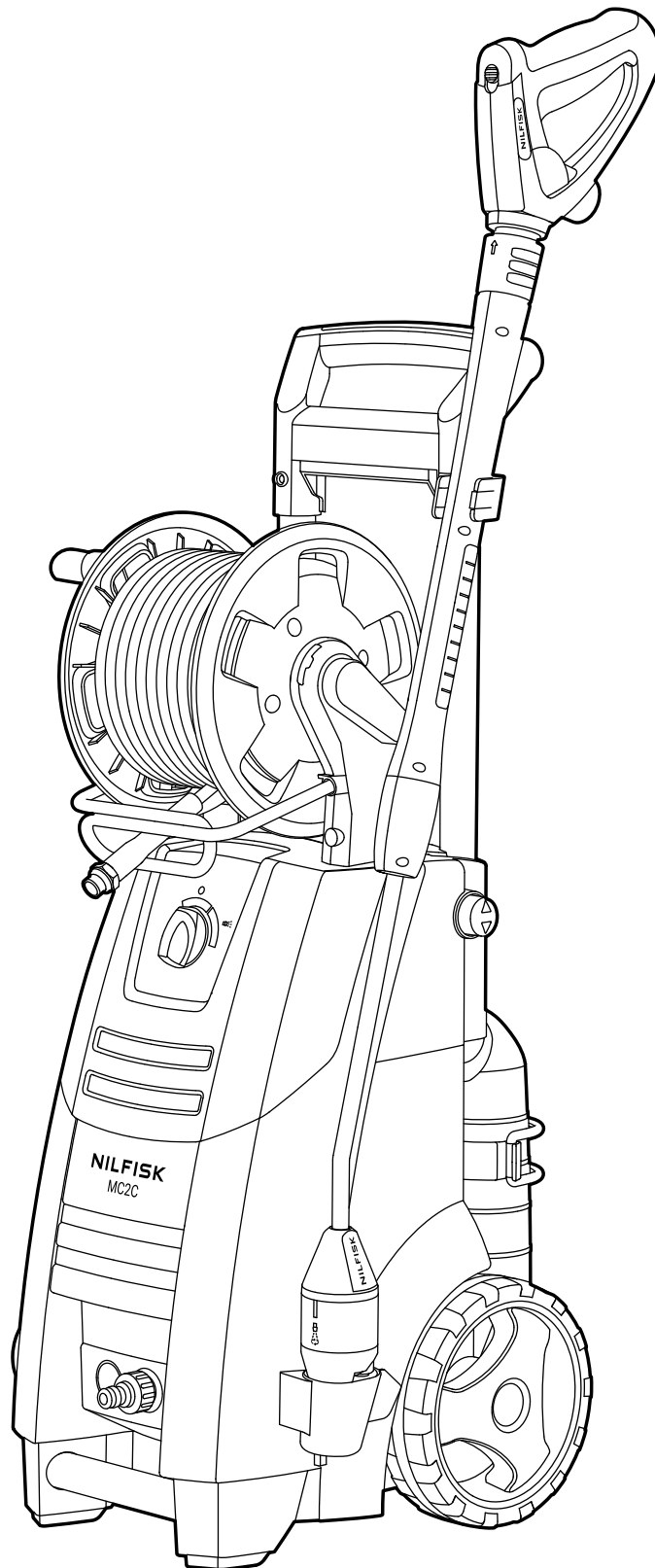


INSTRUCTIONS FOR USE

# MC2C



**NILFISK**

ⓂEN	Instruction manual.....	3 - 23
ⓂDA	Instruktionsbog.....	24 - 43
ⓂNO	Instruksjonsbok.....	44 - 62
ⓂSV	Instruktionsbok.....	63 - 83
ⓂFI	Käyttöohje.....	84 - 102
ⓂDE	Betriebsanleitung.....	103 - 124
ⓂFR	Manuel d'Instructions.....	125 - 145
ⓂNL	Gebruikershandleiding.....	146 - 167
ⓂIT	Manuale di istruzioni.....	168 - 189
ⓂES	Manual de Instrucciones.....	190 - 211
ⓂPT	Manual de Instruções.....	212 - 232
ⓂEL	γχειρίδιο οδηγιών.....	233 - 255
ⓂTR	Ýpletme kÝlavuzu.....	256 - 277
ⓂCS	Návod k obsluze.....	278 - 297
ⓂHU	Üzemeltetési útmutató.....	298 - 318
ⓂPL	Instrukcja obsługi.....	319 - 339

# Contents

<b>1</b>	<b>Introduction</b> .....	<b>4</b>
1.1	<i>Symbols used to mark instruction</i> .....	4
<b>2</b>	<b>Safety precautions and working techniques</b> .....	<b>4</b>
<b>3</b>	<b>Description</b> .....	<b>11</b>
3.1	<i>Application</i> .....	11
3.2	<i>Operation elements and model survey</i> .....	11
<b>4</b>	<b>Before you start using your pressure washer</b> .....	<b>12</b>
4.1	<i>Mounting of holders for spray lance</i> .....	12
4.2	<i>Mounting of hose hook (only models without hose reel)</i> .....	12
4.3	<i>Mounting of hose reel handle (only models with hose reel)</i> .....	12
4.4	<i>Mounting of quick coupling</i> .....	13
4.5	<i>Mounting of high pressure hose</i> .....	13
<b>5</b>	<b>Operating your pressure washer</b> .....	<b>13</b>
5.1	<i>Connection of high pressure hose</i> .....	13
5.2	<i>Mounting of spray lance</i> .....	14
5.3	<i>Water connection</i> .....	14
5.4	<i>Telescopic handle</i> .....	14
5.5	<i>Start and stop of the machine (when connected to a water supply)</i> .....	15
5.6	<i>Start the machine (when connected to open containers (suction mode))</i> .....	15
5.7	<i>Pressure regulation</i> .....	15
5.8	<i>Operation with detergents</i> .....	16
5.9	<i>Regulation of pressure / water volume (only models with button for regulation of pressure and water volume)</i> .....	16
<b>6</b>	<b>Fields of application and working methods</b> .....	<b>17</b>
6.1	<i>General</i> .....	17
<b>7</b>	<b>After using your pressure washer</b> .....	<b>18</b>
7.1	<i>Storing the washer</i> .....	18
7.2	<i>Winding up of electric cable and high pressure hose</i> .....	18
7.3	<i>Storage of accessories</i> .....	18
<b>8</b>	<b>Maintenance</b> .....	<b>19</b>
8.1	<i>Cleaning of water inlet filter</i> .....	19
8.2	<i>Cleaning of nozzle</i> .....	19
8.3	<i>Cleaning of machine vents</i> .....	19
8.4	<i>Greasing of couplings</i> .....	19
<b>9</b>	<b>Trouble-shooting</b> .....	<b>20</b>
<b>10</b>	<b>Further information</b> .....	<b>21</b>
10.1	<i>Service and Maintenance</i> .....	21
<b>11</b>	<b>Main Technical Data</b> .....	<b>21</b>
<b>12</b>	<b>EC/EU Declaration of Conformity</b> .....	<b>22</b>
<b>13</b>	<b>UK Declaration of Conformity</b> .....	<b>23</b>

EN

DA

NO

SV

FI

DE

FR

NL

IT

ES

PT

EL

TR

CS

HU

PL

EN

# 1 Introduction

DA

## 1.1 Symbols used to mark instruction

All pictograms attached to the high pressure washer and its components are shown and explained in this manual.

NO



Safety instructions marked with this symbol must be observed to prevent personal injury or serious damage to property.

SV



Caution where there is a risk of damaging the machine or its individual components.

FI

DE



This symbol indicates tips and instructions to simplify work and to ensure a safe operation of the high pressure washer.

FR

## 2 Safety precautions and working techniques

NL



Before starting up your machine for the first time, this instruction manual must be read through carefully. Save the instructions for later use.

IT



### **WARNING!**

- Inhalation of aerosols can be hazardous to health. Where applicable use a device in order to avoid or reduce aerosols production, e.g., a shield covering the nozzle. For protection against aerosols use a respiratory mask of class FFP 2 or higher.
- The high water pressure generated by the machine and the power connection are particular sources of danger.
- Machines shall not be used by children or untrained personnel. Children should be supervised to ensure that they do not play with the machine.
- Do not use the machine within range of persons unless they wear protective clothing.
- Before starting up your machine please check it carefully for any defects. If you find any, do not start up your machine, contact your Nilfisk distributor. The insulation of the electric cable should be faultless and without any cracks. If the electric cable is damaged, an authorized Nilfisk distributor should replace it.
- Always unplug the power plug before cleaning or maintenance and when replacing parts or converting the machine to another function.

ES

PT

EL

TR

CS

HU

PL

- Observe the national safety regulations issued, for example, by the employers liability insurance association, social security institutions, occupational safety and health authorities or other organizations.

EN

DA

NO



### **Accessories and spare parts**

- To ensure the machine safety only use original spare parts from Nilfisk or approved by Nilfisk.
- High pressure hoses, fittings and couplings are important for the safety of the machine. Only use hoses, fittings and couplings recommended by Nilfisk.

SV

FI

DE



### **Physical, sensory or mental conditions**

- This machine is not intended for use by persons (including children) with reduced physical, sensory or mental capabilities or lack of experience and knowledge. If the machine is used by people with reduced physical, sensory or mental capabilities or lack of experience and knowledge they shall have been given supervision or instruction concerning use of the machine in a safe way and understand the hazards involved.

FR

NL

IT

ES

PT

EL



### **Applications**

This machine has been developed for domestic and professional use such as:

- domestic: car, motorbike, boat, caravan, trailer, patio/drive/furniture, lawn mower.
- professional: cleaning surfaces, cars, trucks, boats, tools, and equipment.

TR

CS

HU

PL

Any other use is considered as improper use. Nilfisk accepts no liability for any damage resulting from such use. The risk for such a use is borne solely by the user. Proper use also includes proper operation, servicing and repairs as specified in this instruction.

### **Clothing and equipment**

Always take action to protect yourself when operating the machine.

- Wear shoes with non-slip soles.

EN

- Wear goggles, ear protection and protective clothes during operation.

DA



### Transporting the high pressure washer

- When transporting the machine in or on a vehicle, it must be secured, e.g. with straps, so that it cannot slip or tip over.
- Nilfisk recommends that the machine is positioned horizontally on the backside, when transported in or on a vehicle.

NO

SV

FI

DE

FR



### Detergents

- This machine has been designed for use with cleaning agents supplied or recommended by Nilfisk. The use of other cleaning agents or chemicals may adversely affect the function of the machine.

NL

IT

ES



### Before starting the work

#### Inspecting the machine

- Do not use the machine if a supply cord or important parts of the machine are damaged, e.g., safety device, high pressure hose, and spray handle and spray attachments.
- The trigger of the spray handle must move easily and automatically return to its starting position when released.
- Always keep high pressure hose and spray attachment in good condition (clean, moving easily) and correctly assembled.

PT

EL

TR

CS

HU

PL



### Electrical connection

#### **WARNING!**

Minimize the risk for electrical shock:

- Voltage and frequency of the machine (see rating plate) must match the voltage of and frequency of the mains supply.
- Only connect the machine to electrical installation made by a certified electrician and comply with IEC 60364-1.

- It is recommended that the electrical supply to the machine should include a residual current device that will interrupt the supply if the leakage current to earth exceeds 30 mA for 30 ms.
- Use motor start/delayed fuses with characteristic C or D according to IEC/EN 60898-1 / IEC 947-2 or corresponding standards outside IEC.
- Due to the high power consumption of the machine an appropriate mains fuse is required.
- Inadequate extension cables can be dangerous. If an extension cable is used, it shall be suitable for outdoor use, and the connection has to be kept dry and off the ground.
- Nilfisk recommends use of an extension cable drum when cable extension is needed which keeps the socket at least 60 mm above the ground.
- If the electric cable is damaged, it must be replaced by an authorized Nilfisk distributor or similar qualified person in order to avoid a hazard.
- Connecting the high pressure washer to a supply system, the max allowed impedance is =  $0.4023 \Omega$  ( $Z_{max}$ ). Consult with the supply authority that the equipment is connected only to a supply of that impedance or less.



### **Water connection**

- This high pressure washer is only allowed to be connected with the drinking water mains, when an appropriate backflow preventer has been installed, Type BA according to EN 60335-2-79.
- The backflow preventer can be ordered under number 106411177.
- As soon as drinking water has flown through the backflow preventer, it is no longer regarded as drinking water.
- Operation by suction (e.g. a rainwater vessel) is carried out without a backflow preventer – see “**Connecting to a pressureless water supply**”. The machine can be connected to water mains with a max. inlet pressure of 1 MPa/10 bars and max. 60°C.

EN

DA

NO

SV

FI

DE

FR

NL

IT

ES

PT

EL

TR

CS

HU

PL

EN

DA

NO

SV

FI

DE

FR

NL

IT

ES

PT

EL

TR

CS

HU

PL

## Safety devices

### Locking device on spray handle:

- The spray handle features a locking device. When the pawl is activated, the spray handle cannot be operated.

### Thermal sensor:

- Self-resetting

A thermal sensor protects the motor against overloading. The machine will restart after a few minutes when the thermal sensor has cooled.

- Non-self-resetting (Only for MC2C US model)

A manual operation for resetting is required. Manual operation means disconnection of the appliance from the supply mains.



### Caution:

In order to avoid a hazard due to inadvertent resetting of the thermal cut-out, this appliance must not be supplied through an external switching device, such as a timer, or connected to a circuit that is regularly switched on and off by the utility.

### Pressure safety device:

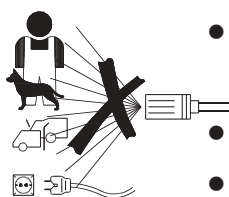
- An integrated hydraulic safety valve protects the system from excessive pressure.

## During work



### WARNING!

- It is not allowed to clean asbestos-containing surfaces with high pressure.
- Risk of explosion – Do not spray flammable liquids.
- Never draw in fluids containing solvents (e.g., gasoline, heating oil, paint thinner or acetone)  
These substances damage the materials used in the machine. Their spray is highly combustible, explosive and poisonous.
- Never direct the water jet at yourself, other persons, not even to clean clothing or footwear – **risk of injury.**
- Never direct the water jet at pets or other animals.
- Never direct the water jet at live electrical equipment or the machine itself – **danger of short-circuiting.**







- Hold the spray lance firmly with both hands. The spray lance is affected by a thrust of up to 27.4 N and a sudden torque when activating the trigger of the spray handle during operation.
- Never start up a frozen machine. Frost damages are not covered by the guarantee!
- Always ensure firm and safe footing.
- The machine shall be operated in an upright position.
- If the machine is left or not used for 5 minutes, it must be switched off on the start/stop switch “O” (1).

EN

DA

NO

SV

FI

DE



### After finishing the work

#### WARNING!

- Always switch off the machine and unplug the power plug from the socket after work and when leaving the machine unattended.
- Disconnect water inlet hose between machine and water supply.
- Always empty pump, hose and accessories of water after use of the machine and prior to storing.

FR

NL

IT

ES

PT

EL



### Maintenance and repairs

#### WARNING!

- Always disconnect the electrical plug from the socket prior to maintenance, cleaning and repair.
- Any repair should always be made in Nilfisk authorized workshop with original Nilfisk spare parts.
- Do not attempt any maintenance not described in the instructions.
- If the machine refuses to start, stops, pulsates, pressure fluctuates, motor busses, fuse blows or no water comes out, check the trouble shooting diagram in these instructions. In case other problems occur, please contact your local Nilfisk distributor.
- Cleaning and user maintenance shall not be made by children without supervision.

TR

CS

HU

PL

EN



### Correct disposal of this product:

This marking indicates that this product should not be disposed of with other household wastes throughout the EU. To prevent possible harm to the environment or human health from uncontrolled waste disposal, recycle it responsibly to promote the sustainable reuse of material resources. To return your used device, please use the return and collection systems or contact the retailer where the product was purchased. They can take this product for environmental safe recycling.

DA

NO

SV

FI

DE

FR

NL

IT

ES

PT

EL

TR

CS

HU

PL

# 3 Description

EN

DA

## 3.1 Application

This high-pressure washer has been developed for semiprofessional routine cleaning:

- *Professional craftsman jobs, cleaning of vehicles, boat, caravan and minor cleaning jobs within building and construction*

Only use the high-pressure washer for purposes described in this manual.

The safety precautions must be observed to prevent damage to the machine, the surface to be cleaned or severe personal injuries.

NO

SV

FI

Section 6 describes the use of the high-pressure washer for various cleaning jobs.

DE

FR

## 3.2 Operation elements and model survey



See illustration at the end of this manual.

- 1 Start/stop switch
- 2 Water inlet (with filter)
- 3 High pressure connection (only machines without hose reel)
- 4 High pressure hose
- 5 Electric cable
- 6 Button for regulation of pressure and water volume (not standard)
- 7 Ergo 2000 spray handle with lock (7a)
- 8 Flexopower Plus spray lance (standard models)
- 9 4-in-1 spray lance (T and XT models)

- 10 Detachable detergent container
- 11 Nozzle cleaning tool
- 12 Hose reel
- 13 Hose hook (only machines without hose reel)
- 14 Model tag
- 15 Button for telescopic handle
- 16 Telescopic handle
- 17 Turnable cable hook

**Specifications:** See model tag (14) of machine.

We reserve the right to alter the specifications.

NL

IT

ES

PT

EL

TR

CS

HU

PL

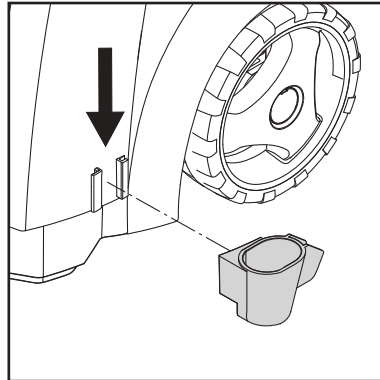
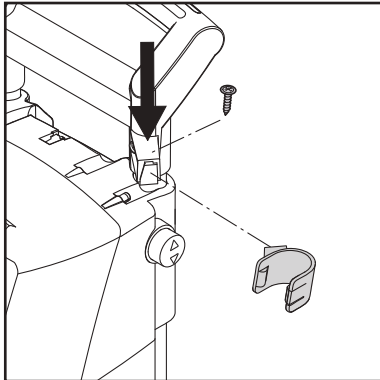
EN

## 4 Before you start using your pressure washer

DA

NO

### 4.1 Mounting of holders for spray lance



Mount the holders for spray lance on the machine.

SV

FI

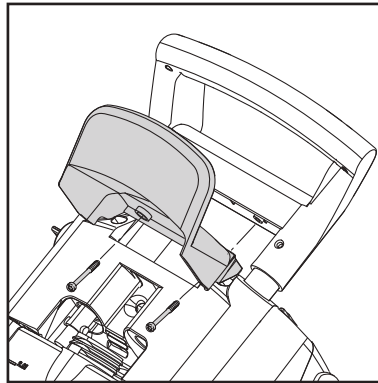
DE

FR

NL

IT

### 4.2 Mounting of hose hook (only models without hose reel)



Mount the hose hook (13) on the handle (2 screws).

ES

PT

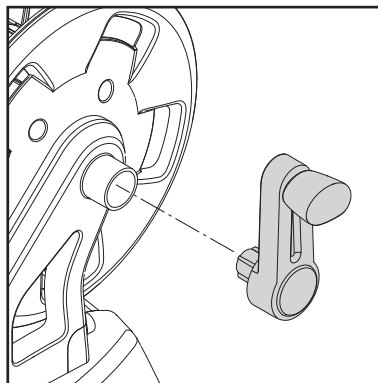
EL

TR

**Note:** The hose hook can be mounted on the front as well as on the back. Front position is to be used if the product is used together with a special wall hook for wall storage.

CS

### 4.3 Mounting of hose reel handle (only models with hose reel)

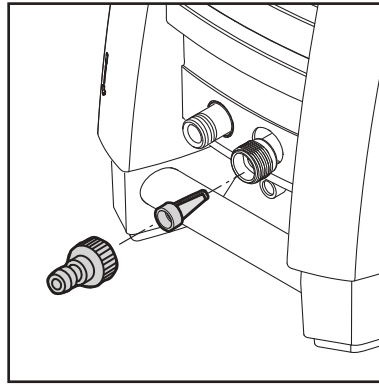


1. Click the hose reel handle on to the trolley handle (no screws).

HU

PL

#### 4.4 Mounting of quick coupling



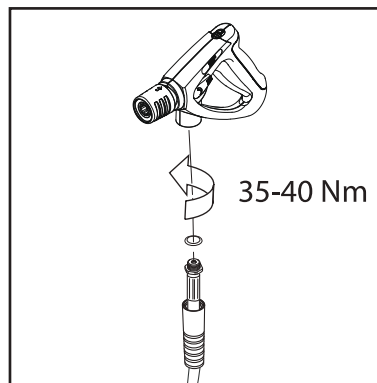
1. Screw the quick coupling tight on to the water inlet (2).

**Note:** The inlet filter must always be fitted in the water inlet pipe to filter out major impurities as these will damage the pump valves.



**Caution:** Failure to fit the filter will invalidate the guarantee.

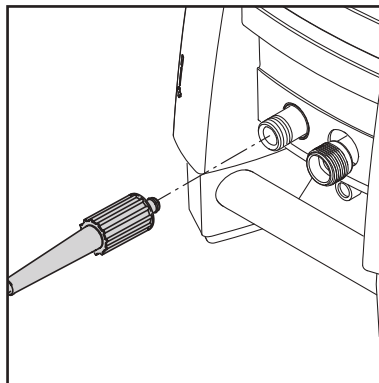
#### 4.5 Mounting of high pressure hose



Attach the high pressure hose (4) to the spray handle (7).

## 5 Operating your pressure washer

#### 5.1 Connection of high pressure hose



**Machines without hose reel:** Attach the high pressure hose (4) to the high pressure connection of the machine (3).

Only max. 7 m additional extension hose can be added.

**Machines with hose reel:** Unwind the high pressure hose completely.

EN

DA

NO

SV

FI

DE

FR

NL

IT

ES

PT

EL

TR

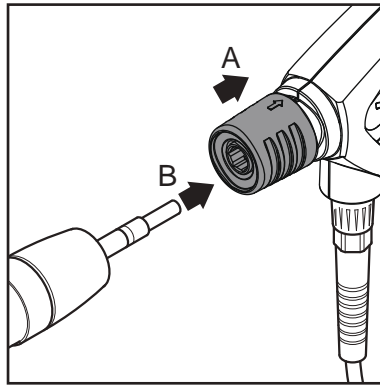
CS

HU

PL

EN

## 5.2 Mounting of spray lance



1. Pull the blue quick-release grip (A) of the spray gun backwards.
2. Insert the nipple of the spray lance (B) into the quick-release connection and release it.
3. Pull the spray lance (or other accessory) forwards to check that it is securely attached to the spray gun.



### NOTE!

Always remove any dirt from the nipple before connecting the spray lance to the spray handle.

DA

NO

SV

FI

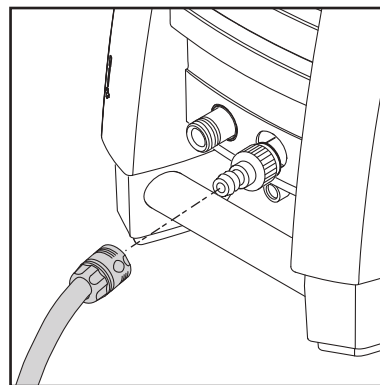
DE

FR

NL

## 5.3 Water connection

An ordinary 1/2" garden hose of **min. 10 m** and **max. 25 m** will be suitable.



**IMPORTANT! Only use water without any impurities.** If there is a risk of silt, sand or sediment in the inlet water (i.e. from your own well), an additional filter should be mounted.

1. Let the water run through the water hose before connecting it to the machine to prevent sand and dirt from penetrating the machine.



**Note:** Check that the filter is fitted in the water inlet

pipe and that it is clean and free from debris.

2. Connect the water hose to the water supply by means of the quick connector (inlet water, max. pressure: 10 bar, max. temperature: 60°C).
3. Turn on the water.



**NOTE:** Connection to the public mains according to regulations.

IT

ES

PT

EL

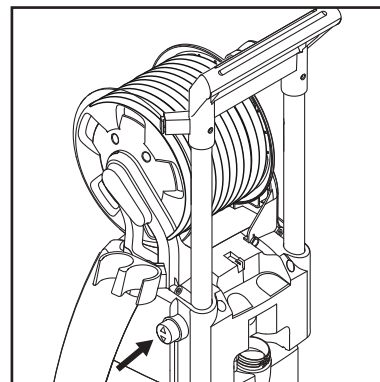
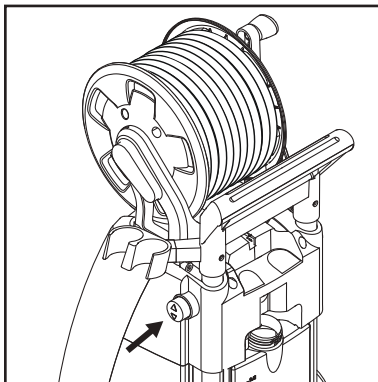
TR

CS

HU

PL

## 5.4 Telescopic handle



The machine features a telescopic handle. To raise or lower the handle, press the button (15) and move the handle upwards or downwards. When a click is heard, the handle is in right position.

## 5.5 Start and stop of the machine (when connected to a water supply)




The spray lance is affected by a thrust during operation – therefore always hold it firmly with both hands.

**IMPORTANT: Point the nozzle at the ground.**

1. Check that the machine is in upright position.

**NOTE:** Do not place the machine in tall grass!

2. Release the trigger lock.
3. Activate the trigger of the spray handle and let the water run until all air has escaped from the high pressure hose.
4. Turn the start/stop switch (1) to position .
5. Activate the trigger of the spray handle.

Always adjust the distance and thus the pressure of the nozzle

## 5.6 Start the machine (when connected to open containers (suction mode))

The washer can take in water from a rain water tank as an example. The hose for the water supply must not be too long, approx. 5 m.

Make sure that the water tank is not placed on a lower level than the machine.

Use an external filter if the water contains impurities.

1. Make sure that the water hose is filled completely with water before connecting to the machine. Place the entire hose in a tank or bucket. To avoid water spillage, crimp

to the surface, which is to be cleaned.

Do not cover the machine during operation.




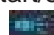
**Note:** If the machine is left or not used for 5

minutes, it must be switched off on the start/stop switch “O” (1):

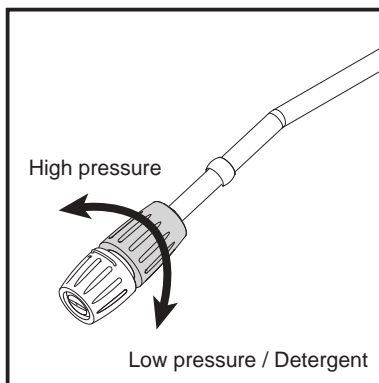
1. Turn the start/stop switch to position “O”.
2. Disconnect the electrical plug from the socket.
3. Shut off the water supply and activate the trigger to relieve the machine of pressure.
4. Lock the spray handle.

When releasing the trigger of the spray handle, the machine automatically stops. The machine will start again when you re-activate the spray handle.

the water inlet hose down in the water and then connect the hose to the machine with the quick coupling and finally uncrimp the water inlet hose.

2. Dismount spray handle, lance and nozzle.
3. Turn the start/stop switch to position  and let the water run, until the air has escaped from the water hose and the pump.
4. Turn the start/stop switch to position “O”.
5. Mount spray handle and thereafter lance.
6. Turn the start/stop switch (1) to position .
7. Activate the trigger of the spray handle.

## 5.7 Pressure regulation



### Flexopower Plus spray lance

The pressure can be regulated on the Flexopower Plus spray lance.

EN

DA

NO

SV

FI

DE

FR

NL

IT

ES

PT

EL

TR

CS

HU

PL

EN

DA

NO

SV

FI

DE

FR

NL

IT

ES

PT

EL

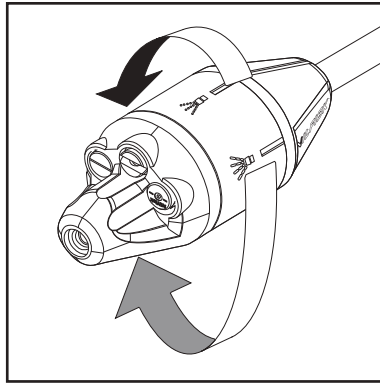
TR

CS

HU

PL

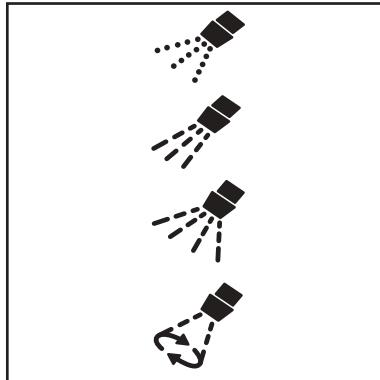
### 5.8 Operation with detergents



T and XT models:

#### 4-in-1 spray lance

The pressure can be regulated on the 4-in-1 spray lance.



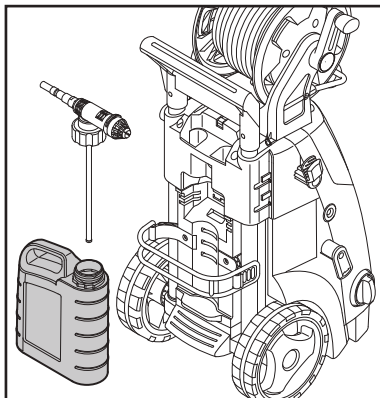
Low Pressure / detergent

Tornado / high pressure

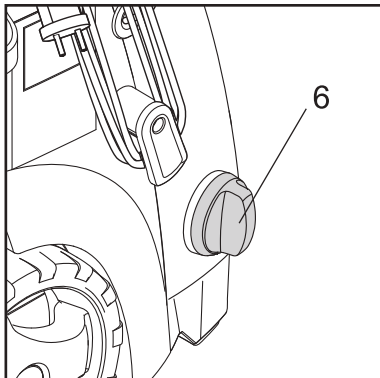
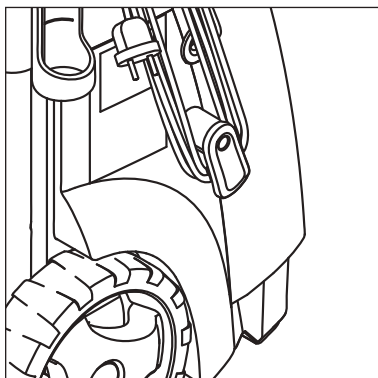
Wide angle / high pressure

Turbohammer / high pressure

### 5.9 Regulation of pressure / water volume (only models with button for regulation of pressure and water volume)



1. Fill the container with detergent.
2. Apply the detergent from below and upwards.
3. Let the detergent act for the time states on the packing of the detergent and flush with pure water or use a brush.



Working pressure and water volume can be regulated on the machine by turning the button for regulation of pressure / water volume (6).



# 6 Fields of application and working methods

EN

DA

NO

SV

FI

DE

FR

NL

IT

ES

PT

EL

TR

CS

HU

PL

## 6.1 General

Efficient high pressure cleaning is achieved by following a few guidelines, combined with your own personal experience of specific cleaning tasks. Accessories and detergents, when correctly chosen, can increase the efficiency of your pressure washer. Here is some basic information about cleaning.

### 6.1.1 Detergent and foam

Foam or detergent should be applied onto dry surfaces so that the chemical product is in direct contact with the dirt. Detergents are applied from bottom to top, for example on a car bodywork, in order to avoid "super clean" areas, where the detergent collects in higher concentration and streams downwards. Let the detergent work for several minutes before rinsing but never let it dry on the surface being cleaned. **Note:** It is important that the detergents do not dry up. Otherwise the surface that has to be cleaned can be damaged.

### 6.1.2 Mechanical effect

In order to break down tough layers of dirt, additional mechanical effect may be required. Special wash brushes offer this supplementary effect that removes stubborn dirt, traffic film or the like.

# 7 After using your pressure washer

## 7.1 Storing the washer



### The machine should be stored in a frost-free room!

Pump, hose and accessories should always be emptied of water prior to storing as follows:

1. Stop the machine (turn the start/stop switch (1) to position "O") and detach water hose and accessory.
2. Restart the machine and activate the trigger. Let the machine run until no more water runs through the spray handle.
3. Stop the machine and unplug. Wind the electric cable round the hooks placed on the side of the machine.
4. Separate spray handle and spray lance.

5. **Machines without hose reel:** Detach high pressure hose, coil it up and place it on the hose storage.

**Machines with hose reel:** Coil the high pressure hose up on the hose reel.

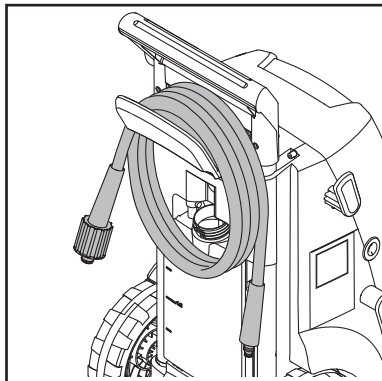
6. Place spray handle, nozzles and other accessories in the holders of the machine.

Should the machine by mistake be frozen, let it thaw and check it for damage.

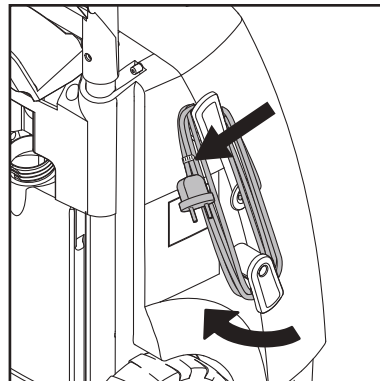
### NEVER START-UP A FROZEN MACHINE.

**Frost damages are not covered by the guarantee!**

## 7.2 Winding up of electric cable and high pressure hose



To avoid accidents, the electric cable and the high pressure hose should always be wound



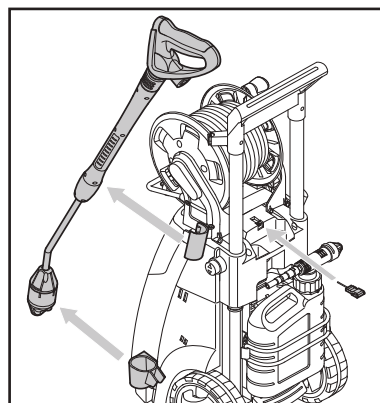
up carefully.

1. Wind up the electric cable on the dedicated hooks. Built-in clip for good holding.

The lower hook can be turned to release the electric cable.

2. The high pressure washer comes in two models: A) with hook for storage of high pressure hose (13) – B) with a hose reel (12).

## 7.3 Storage of accessories



The standard accessories (spray handle, spray lance (A) and nozzle cleaning tool) can be stored on the pressure washer.

# 8 Maintenance

EN

DA

NO

SV

FI

DE

FR

NL

IT

ES

PT

EL

TR

CS

HU

PL



**WARNING!** Always disconnect the electrical plug from the socket prior to maintenance or cleaning.

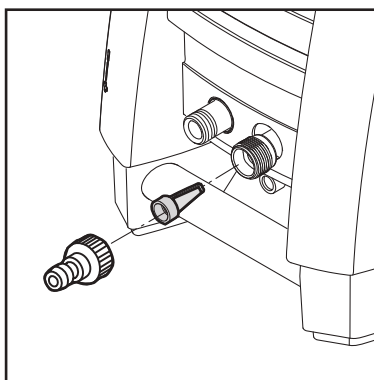
To ensure a long and problem free working life, please take the following advice:

- Wash off water hose, high pressure hose, spray lance and accessories before mounting.

- Clean the connectors of dust and sand.
- Clean the nozzles.

Any repair should always be made in an authorized workshop with original spare parts.

## 8.1 Cleaning of water inlet filter

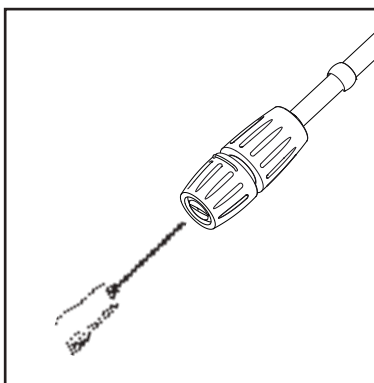


Clean the water inlet filter regularly once a month or more frequently according to use. Carefully loosen the filter with a pair of pliers and clean it. Check that it is intact before re-mounting it.

The inlet filter must always be fitted inside the water inlet pipe to filter out various impurities, as they will damage the pump valves.

**CAUTION:** Failure to fit the filter will invalidate the guarantee.

## 8.2 Cleaning of nozzle



A clogging up in the nozzle causes a pump pressure which is too high. This is why cleaning is required immediately.

1. Stop the machine and disconnect the nozzle.
2. Clean the nozzle. **IMPORTANT:** The cleaning tool (11) should only be used when the nozzle is detached!
3. Flush the nozzle backwards with water.

## 8.3 Cleaning of machine vents

The machine should be kept clean so as to let cooling

air pass freely through the machine vents.

## 8.4 Greasing of couplings

To ensure easy connection and that o-rings do not dry up, the

couplings should be greased regularly.

EN

# 9 Trouble-shooting

DA

Please ensure that you check the following before contacting the Nilfisk service organization:

NO

SV

FI

DE

FR

NL

IT

ES

PT

EL

TR

CS

HU

PL

Symptom	Cause	Recommended action
<b>Machine refuses to start</b>	Machine not plugged in Defective socket Fuse has blown Defective extension cable	Plug in machine. Try another socket. Replace fuse. Switch off other machines. Try without the extension cable.
<b>Fluctuating pressure</b>	Pump sucking air  Valves dirty, worn out or stuck Pump seals worn out	Check that hoses and connections are air-tight. Clean and replace or refer to local Nilfisk-distributor. Clean and replace or refer to local Nilfisk-distributor.
<b>Motor busses</b>	Low voltage or low temperature	Activate the trigger of the spray handle.
<b>Machine stops</b>	Fuse has blown Incorrect mains voltage  Thermal sensor activated  Nozzle partially blocked	Replace fuse. Switch off other machines. Check that the mains voltage corresponds to specification on the model tag. Leave the washer for 5 minutes to cool down. Clean the nozzle (see section 7.2).
<b>Fuse blows</b>	Fuse too small	Change to an installation higher than the amp. consumption of the machine. You may try without the extension cable.
<b>Machine pulsating</b>	Air in inlet hose/pump  Inadequate supply of mains water  Nozzle partially blocked Water filter blocked Hose kinked	Allow machine to run with open trigger until regular working pressure resumes. Check that the water supply corresponds to specifications required (see model tag). <b>NB!</b> Avoid using long, thin hoses (min. 1/2"). Clean the nozzle (see section 7.2). Clean the filter (see section 7.1). Straighten out hose.
<b>Machine often starts and stops by itself</b>	Spray handle is leaking	Contact your nearest Nilfisk Service Centre. Replace seat/ball/O-ring in the valve of the spray handle.
<b>Machine starts, but no water comes out</b>	Pump/hoses or accessory frozen No water supply Water filter blocked Nozzle blocked	Wait for pump/hoses or accessory to thaw.  Connect inlet water. Clean the filter (see section 7.1). Clean the nozzle (see section 7.2).
<b>Pump pressure drops</b>	Button for regulation of pressure / water volume not correctly adjusted	Adjust the button to correct working pressure.

In case problems other than the above occur, please contact your local Nilfisk distributor.

# 10 Further information

**10.1 Service and Maintenance** In case of need for service and maintenance, please contact your dealer.

# 11 Main Technical Data

Type		MC2C-60/520 XT US-CAN	MC2C-80/520 T	MC2C-120/520 T	MC2C-120/520 XT	MC2C-140/610 XT	MC2C-140/610 P	MC2C-150/650	MC2C-140/650 (EXPT)	MC2C-150/650 XT
Rated pressure	bar/MPa	60/6.0	80/8.0	120/12	120/12	140/14	140/14	150/15	140/14	150/15
Cleaning impact	kg/force	2	2	2.2	2.2	2.5	2.5	2.9	2.9	2.9
Water flow	Qmax/ QIEC l/min	2.3/2.2 gallon	8.7/8.2	8.7/7.8	8.7/7.8	10.2/9.0	10.2/9.0	10.8/9.5	10.8/9.5	10.8/9.5
Voltage/phase/ frequency/current	V/-/Hz/A	120/1/ 60/15	115-127/1/ 60/15	230/1/ 50/10	230/1/ 50/10	230/1/ 50/12.6	230/1/ 50/12.6	230/1/ 50/14.5	220/1/ 60/14.5	230/1/ 50/14.5
Max. water temp.	°C	60	60	60	60	60	60	60	60	60
Cable	m	10	5	5	5	5	5	5	5	5
Pump	Rev./min	3400	3400	2800	2800	2800	2800	2800	3400	2800
Nozzle size	1/8"	0.475	0.475	0.340	0.340	0.340	0.370	0.340	0.350	0.340
Sound pressure level LpA	dB(A)	72 ±2	72 ±2	72 ±2	72 ±2	72 ±2	72 ±2	72 ±2	72 ±2	72 ±2
Sound power level LwA	dB(A)	89	86	86	86	86	86	88	88	88
Vibration according to ISO 5349-1	m/s <sup>2</sup>	< 2.5	< 2.5	< 2.5	< 2.5	< 2.5	< 2.5	< 2.5	< 2.5	< 2.5
Weight	kg	28.6	27.3	27.3	28.1	28.1	28.1	26.3	26.3	28.1

EN

DA

NO

SV

FI

DE

FR

NL

IT

ES

PT

EL

TR

CS


HU


PL


# 12 EC/EU Declaration of Conformity




 We,


 Nilfisk A/S  
Marmorvej 8  
2100 Copenhagen Ø  
DENMARK


 Hereby declare under our sole responsibility that the

 Products: HPW – Professional – Mobile – EI – CW  
Description: 230 V, 50 Hz, IPX5  
Type: MC2C-120/520 T, -120/520 XT, -140/610 XT, -150/650 XT, -140/650 EXPT

 Are in compliance with the following standards:

 EN 60335-1:2012+A11:2014+A13:2017+A1:2019+A14:2019+A2:2019+A15:2021+A16:2023  
EN 60335-2-79:2012  
 EN 55014-1:2021  
EN 55014-2:2021  
EN 61000-3-2:2019+A1:2021  
 EN 61000-3-11:2019  
EN 63000:2018

 Following Union harmonization legislations:

2006/42/EC  
 2014/30/EU  
2011/65/EU  
2000/14/EC – Conformity assessment procedure according to Annex V.  
– Measured sound power level: 86-88 dB(A); Guaranteed sound power level: 89-91 dB(A)

 Broendby, 2024-01-02

*Wei Hua (Warner) Guo*

 Warner Guo, VP R&D, Head of Competence Center APAC • R&D





# 13 UK Declaration of Conformity

EN

We,

DA

Nilfisk Ltd  
Nilfisk House, Bowerbank Way Gilwilly Industrial Estate  
Penrith Cumbria  
CA11 9BQ UK

NO

Hereby declare under our sole responsibility that the

SV

Products: HPW – Professional – Mobile – EI – CW  
Description: 230 V, 50 Hz, IPX5  
Type: MC2C-120/520 T, -120/520 XT, -140/610 XT, -150/650 XT, -140/650 EXPT

FI

Are in compliance with the following standards:

DE

EN 60335-1:2012+A11:2014+A13:2017+A1:2019+A14:2019+A2:2019+A15:2021+A16:2023  
EN 60335-2-79:2012  
EN 55014-1:2021  
EN 55014-2:2021  
EN 61000-3-2:2019+A1:2021  
EN 61000-3-11:2019  
EN 63000:2018

FR

Following the provisions of:

NL

Supply of Machinery (Safety) Regulations 2008/1597  
Electromagnetic Compatibility Regulations 2016/1091  
The Restriction of the Use of Certain Hazardous Substances in Electrical and Electronic Equipment Regulations 2012/3032  
Noise Emission in the Environment by Equipment for use Outdoors Regulations 2001 – Conformity assessment procedure according to Annex V.  
– Measured sound power level: 86-88 dB(A); Guaranteed sound power level: 89-91 dB(A)

IT

Penrith, 2024-01-02

ES



Stewart Dennett  
GM/MD

PT

EL

TR

CS

HU

PL

EN

DA

NO

SV

FI

DE

FR

NL

IT

ES

PT

EL

TR

CS

HU

PL

# Indhold

<b>1</b>	<b>Indledning .....</b>	<b>25</b>
	1.1 <i>Symboler, som anvendes til at markere instruktioner .....</i>	25
<b>2</b>	<b>Sikkerhedsregler og arbejdsteknikker .....</b>	<b>25</b>
<b>3</b>	<b>Beskrivelse.....</b>	<b>32</b>
	3.1 <i>Anvendelse .....</i>	32
	3.2 <i>Betjeningselementer og modeloversigt.....</i>	32
<b>4</b>	<b>Før du begynder at bruge højtryksrensere.....</b>	<b>33</b>
	4.1 <i>Montering af holdere for dyserør .....</i>	33
	4.2 <i>Montering af slangekrog (maskiner uden slangerulle).....</i>	33
	4.3 <i>Montering af slangerullehåndtag (maskiner med slangerulle).....</i>	33
	4.4 <i>Montering af lynkobling.....</i>	34
	4.5 <i>Montering af højtryksslange på spulehåndtag.....</i>	34
<b>5</b>	<b>Betjening af højtryksrensere.....</b>	<b>34</b>
	5.1 <i>Tilslutning af højtryksslange .....</i>	34
	5.2 <i>Montering af dyserør.....</i>	35
	5.3 <i>Vandtilslutning.....</i>	35
	5.4 <i>Teleskophåndtag .....</i>	35
	5.5 <i>Start og stop af maskinen (når tilsluttet til en vandforsyning) .....</i>	36
	5.6 <i>Start maskinen (når tilsluttet til åbne beholdere (sugefunktion)).....</i>	36
	5.7 <i>Trykregulering.....</i>	36
	5.8 <i>Drift med rengøringsmidler .....</i>	37
	5.9 <i>Tryk- og vandmængderegulering (kun modeller med knap for tryk- og vandmængderegulering).....</i>	37
<b>6</b>	<b>Anvendelsesområder og arbejdsmetoder.....</b>	<b>38</b>
	6.1 <i>Generelt.....</i>	38
<b>7</b>	<b>Efter at du har brugt højtryksrensere .....</b>	<b>39</b>
	7.1 <i>Opbevaring af højtryksrensere .....</i>	39
	7.2 <i>Oprulning af el-ledning og højtryksslange .....</i>	39
	7.3 <i>Opbevaring af tilbehør .....</i>	39
<b>8</b>	<b>Vedligeholdelse .....</b>	<b>40</b>
	8.1 <i>Rengøring af vandtilgangsfilteret .....</i>	40
	8.2 <i>Rengøring af dysen .....</i>	40
	8.3 <i>Rengøring af maskinens ventilationsåbninger.....</i>	40
	8.4 <i>Smøring af koblinger.....</i>	40
<b>9</b>	<b>Fejlfinding .....</b>	<b>41</b>
<b>10</b>	<b>Yderligere oplysninger.....</b>	<b>42</b>
	10.1 <i>Service og vedligehold.....</i>	42
<b>11</b>	<b>Tekniske data .....</b>	<b>42</b>
<b>12</b>	<b>Erklæring.....</b>	<b>43</b>



# 1 Indledning

## 1.1 Symboler, som anvendes til at markere instruktioner

Alle piktogrammer fastgjort til højtryksrenseren og dens komponenter bliver vist og forklaret i denne instruktionsbog.



Sikkerhedsanvisninger markeret med dette symbol skal overholdes for at forhindre personskader og alvorlige tingskader.



Vær forsigtig, hvor der er fare for at beskadige maskinen eller dens komponenter.



Dette symbol angiver tip og anvisninger til at forenkle arbejdet og sørge for sikker betjening af højtryksrenseren.

## 2 Sikkerhedsregler og arbejdsteknikker



Læs denne instruktionsbog grundigt igennem, før maskinen tages i brug første gang. Gem instruktionsbogen til senere brug.



### ADVARSEL!

- Inhalering af aerosoler kan være sundhedsskadeligt. Brug om muligt udstyr, som forhindrer eller reducerer produktionen af aerosoler, f.eks. et skjold, der dækker dysen. For beskyttelse mod aerosoler, anvend en åndedrætsmaske klasse FFP2 eller højere.
- Det høje vandtryk genereret af maskinen og strømtilslutningen udgør særlige farekilder.
- Maskinen må ikke anvendes af børn eller utrænede personale. Børn skal overvåges for at sikre, at de ikke leger med maskinen.
- Maskinen må ikke anvendes inden for andre persons rækkevidde, medmindre de bærer beskyttelsesbeklædning.
- Kontroller maskinen omhyggeligt for fejl og mangler. Hvis du støder på fejl, må du ikke starte maskinen – kontakt Nilfisk-forhandleren. Isoleringen på el-ledningen skal være fejlfri og uden revner. Hvis el-ledningen er beskadiget, skal den udskiftes af en autoriseret Nilfisk-distributør.
- Træk altid stikket ud af stikdåsen før rengøring eller vedligeholdelse og ved udskiftning af dele eller omstilling af maskinen til en anden funktion.

EN

DA

NO

SV

FI

DE

FR

NL

IT

ES

PT

EL

TR

CS

HU

PL

- Overhold nationale sikkerhedsforskrifter udstedt af f.eks. arbejdsgivernes ulykkesforsikring, nationale sikkerhedsinstitutioner, arbejdsmiljø- og sundhedsmyndigheder eller andre organisationer.



### Tilbehør og reservedele

- Anvend kun reservedele fra Nilfisk eller godkendt af Nilfisk af hensyn til maskinens sikkerhed.
- Højtryksslanger, beslag og koblinger er vigtige for maskinens sikkerhed. Brug kun slanger, beslag og koblinger, som anbefales af Nilfisk.



### Fysiske, sensoriske og mentale forhold

- Denne maskine er ikke beregnet til anvendelse af personer (inkl. børn) med begrænsede fysiske, følelsesmæssige eller mentale evner eller manglende erfaring og viden. Hvis maskinen anvendes af personer med begrænsede fysiske, følelsesmæssige eller mentale evner eller manglende erfaring og viden, skal de instrueres i sikker brug af maskinen og være indforstået med de farer, der kan være forbundet hermed.



### Anvendelse

Denne maskine er udviklet til privat og professionel brug såsom:

- indenlandsk: bil, motorcykel, båd, campingvogn, trailer, terrasse/indkørsel/møbler, plæneklipper.
- professionel: rengøring af overflader, biler, lastbiler, både, værktøj og udstyr.

Enhver anden brug anses for at være ukorrekt brug. Nilfisk kan ikke holdes ansvarlig for skader som følge af ukorrekt brug. Sådan brug sker udelukkende på brugerens eget ansvar. For at brugen skal være korrekt, forudsættes desuden, at betjening, servicering og reparationer følger anvisningerne i denne vejledning.

## Beklædning og udstyr

Træf altid foranstaltninger til at beskytte dig selv ved betjening af maskinen.

- Brug sko med skridsikre såler.
- Brug beskyttelsesbriller, høreværn og beskyttelsespåkledning under betjeningen.



### Transport af højtryksrenseren

- Ved transport af maskinen i eller på et køretøj skal den fastgøres f.eks. med stropper, så den ikke kan glide eller vælte.
- Nilfisk anbefaler, at maskinen anbringes vandret på bagsiden ved transport i eller på et køretøj.



### Rengøringsmidler

- Denne maskine er udformet til brug med det medfølgende rengøringsmiddel eller det, der anbefales af Nilfisk. Brug af andre rengøringsmidler eller kemikalier kan påvirke maskinens funktion negativt.



### Før opstart af arbejdet Eftersyn af maskinen

- Benyt ikke maskinen, hvis en el-ledning eller vigtige dele af maskinen er beskadigede, f.eks. sikkerhedsanordninger, højtryksslanger, spulehåndtag og tilbehør.
- Aftrækkeren på spulehåndtaget skal kunne bevæges nemt og automatisk vende tilbage til udgangsstillingen, når den frigøres.
- Sørg altid for, at højtryksslange og tilbehør er i god stand (rengøring, nem betjening) og samlet korrekt.



### Tilslutning til elnettet

## ADVARSEL!

Minimer risikoen for elektrisk stød:

- Spænding og frekvens (se typeskiltet) skal stemme overens med nettilslutningen.
- Tilslut kun til elinstallationer udført af en aut. installatør, der er foretaget i overensstemmelse med IEC 60364-1.

- Det anbefales, at strømforsyningen til maskinen omfatter en fejlstrømsafbryder, som afbryder forsyningen, hvis lækstrømmen til jordforbindelsen overstiger 30 mA i 30 ms.
- Brug motorstarter/automatsikring med C eller D-karakteristik i henhold til IEC/EN 60898-1 / IEC 947-2 eller tilsvarende standarder uden for IEC.
- Da maskinen har et højt strømforbrug, skal der anvendes en passende hovedsikring.
- Mangelfulde forlængerledninger kan være farlige. Hvis der anvendes en forlængerledning, skal den være egnet til udendørs brug, og tilslutningen skal holdes tør og hævet fra jorden.
- Nilfisk anbefaler brug af en forlænger kabeltromle, hvis der er brug for en forlængerledning, der holder stikket mindst 60 mm over jorden.
- Hvis el-ledningen er beskadiget, skal den udskiftes af en aut. Nilfisk-forhandler eller lignende kvalificerede personer for at undgå fare.
- Ved tilkobling af højtryksrenseren til den elektriske strømforsyning er den maks. tilladte impedans  $0,4023 \Omega$  ( $Z_{max}$ ). Kontakt dit elselskab for at sikre dig, at udstyret kun tilsluttes en strømforsyning med denne impedans eller mindre.



### Tilslutning af vand

- Højtryksrenseren må kun tilsluttes drikkevandsforsyningen, hvis der er installeret en passende tilbageløbsventil af typen BA iht. EN 60335-2-79.
- Tilbageløbsventilen kan bestilles under reservedelsnummer 106411177.
- Så snart drikkevand er strømmet tilbage gennem tilbageløbsventilen, anses det ikke længere for drikkevand.
- Sugedrift (eksempelvis fra regnvandsbeholder) kan ske uden tilbageløbsventil – se ”**Tilslutning til trykfri vandforsyning**”. Maskinen kan tilsluttes en vandforsyning med et maks. indgangstryk på 1 MPa/10 bar og en maks. temperatur på 60 °C.

## Sikkerhedsanordninger

### Låseanordning på spulehåndtag:

- Spulehåndtaget indeholder en låseanordning. Når palen aktiveres, kan spulehåndtaget ikke betjenes.

### Termosensor:

- Selvindstillende

En termosensor beskytter motoren mod overbelastning. Maskinen genstarter efter et par minutter, når termosensoren er afkølet.

- Ikke-selvindstillende (Kun for MC2C US-modellen)  
Manuel betjening til indstilling er påkrævet. Manuel betjening betyder, at apparatet kobles fra lysnettet.



### Advarsel:

For at undgå farlige situationer på grund af utilsigtet indstilling af termoafbryderen, må dette apparat ikke forsynes via en ekstern koblingsenhed, f.eks. en timer, eller tilsluttes et kredsløb, der regelmæssigt tændes og slukkes af forsyningselskabet.

### Overtrykssikring:

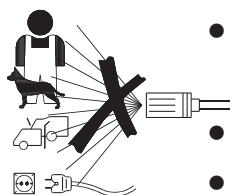
- En integreret hydraulisk sikkerhedsventil beskytter systemet mod overtryk. Når aftrækkeren udløses, arbejder sikkerhedsventilbeskyttelsen automatisk.



## Under arbejdet

### ADVARSEL!

- Det er ikke tilladt at bruge højtryk til rengøring af overflader indeholdende asbest.
- Risiko for eksplosion – Sprøjt ikke med brandfarlige væsker.
- Opsug aldrig væsker, der indeholder opløsningsmidler (f.eks. benzin, fyringsolie, malingsfortynder eller acetone). Disse stoffer beskadiger materialerne anvendt i maskinen. Forstøvningen er yderst brændbar, eksplosiv og giftig.
- Ret ikke vandstrålen mod dig selv eller andre selv ikke for at rense tøj eller fodtøj – **fare for personskade.**
- Ret aldrig vandstrålen mod kæledyr eller andre dyr.
- Ret aldrig vandstrålen mod strømførende udstyr eller selve maskinen – **fare for kortslutning.**





- Dyserøret påvirkes af en reaktionskraft på op til 27,4 N og et pludseligt drejningsmoment, når spulehåndtagets udløser aktiveres.
- Højtryksrensere må ikke betjenes ved temperaturer under 0 °C.
- Start aldrig en frosset maskine. Frostskeer dækkes ikke af garantien.
- Sørg altid for at stå fast og sikkert.
- Maskinen skal betjenes i lodret position.
- Hvis maskinen efterlades eller ikke bruges i 5 minutter, skal den slukkes på start/stop-knappen "O".



### Efter afsluttet arbejde

#### ADVARSEL!

- Sluk altid for strømmen, og tag stikket ud af kontakten efter afsluttet arbejde, og når maskinen efterlades uden opsyn.
- Afmonter tilgangsslangen mellem maskine og vandforsyning.
- Tøm altid pumpe, slange og tilbehør for vand efter brug af maskinen og inden opbevaring.



### Reparation og vedligeholdelse

#### ADVARSEL!

- Træk altid stikket ud af stikdåsen før vedligeholdelse, rengøring og reparation.
- Reparationer skal altid foretages på aut. Nilfisk-værksteder med brug af originale Nilfisk-reservedele.
- Forsøg ikke at udføre vedligeholdelse, der ikke er beskrevet i denne instruktionsbog.
- Hvis maskinen ikke starter, standser, dunker, trykket svinger, motoren støjer, sikringen springer, eller der ikke kommer vand ud, skal du kontrollere fejlfindingsdiagrammet i denne instruktionsbog. Hvis der opstår andre problemer, bedes du rette henvendelse til din lokale Nilfisk-forhandler.
- Rengøring og vedligeholdelse må ikke udføres af børn, uden at de er under opsyn.



### **Korrekt bortskaffelse af dette produkt:**

Denne mærkning indikerer, at dette produkt ikke må bortskaffes med andet husholdningsaffald i hele EU. For at forhindre mulig skade på miljøet eller menneskers sundhed mod ukontrolleret bortskaffelse af affald, genbruges det ansvarligt for at fremme bæredygtig genbrug af materielle ressourcer. For at returnere din brugte enhed skal du bruge retur- og indsamlingssystemerne eller kontakte forhandleren, hvor produktet blev købt. Han kan tage dette produkt til miljømæssig sikker genanvendelse.

EN

DA

NO

SV

FI

DE

FR

NL

IT

ES

PT

EL

TR

CS

HU

PL

EN

## 3 Beskrivelse

DA

### 3.1 Anvendelse

Denne højtryksrenser er udviklet til semiprofessionelle rutinerengøringsopgaver:

- *Professionelle håndværkeropgaver, rengøring af køretøjer, båd, campingvogn og mindre bygge- og anlægsopgaver*

I afsnit 6 beskrives brugen af højtryksrenseren til forskellige rengøringsopgaver.

Brug kun højtryksrenseren til de opgaver, der er beskrevet i denne manual.

Sikkerhedsforanstaltningerne skal overholdes for at forhindre beskadigelse af maskinen, den overflade, der skal rengøres, eller alvorlig personskade.

NO

SV

FI

DE

FR

NL

### 3.2 Betjeningslementer og modeloversigt



Se illustrationen bag i denne manual.

- 1 Start/stop-knap
- 2 Vandtilslutning (med filter)
- 3 Højtrykstilslutning (kun maskiner uden slangerulle)
- 4 Højtryksslange
- 5 EI-kabel
- 6 Tryk-/vandmængderegulering (ikke standard)
- 7 ERGO 2000 spulehåndtag med lås (7a)
- 8 Flexopower Plus dyserør
- 9 4-i-1 dyserør (T og XT modeller)
- 10 Aftagelig beholder for rengøringsmidler

- 11 Dyserenenål
- 12 Slangerulle
- 13 Slangekrog (kun maskiner uden slangerulle)
- 14 Typeskilt
- 15 Knap for teleskophåndtag
- 16 Teleskophåndtag
- 17 Drejelig ledningskrog

**Specifikationer:** Se maskinens typeskilt (14).

Vi forbeholder os retten til at ændre specifikationerne.

IT

ES

PT

EL

TR

CS

HU

PL



# 4 Før du begynder at bruge højtryksrenseren

EN

DA

NO

SV

FI

DE

FR

NL

IT

ES

PT

EL

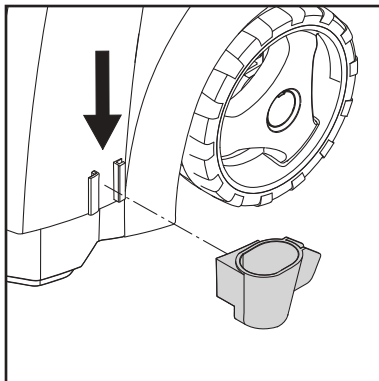
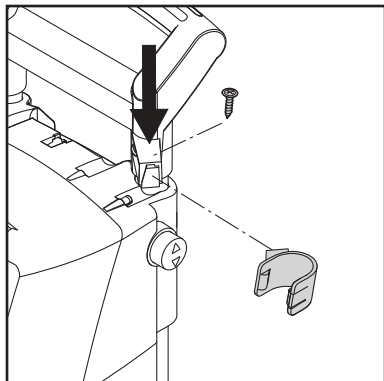
TR

CS

HU

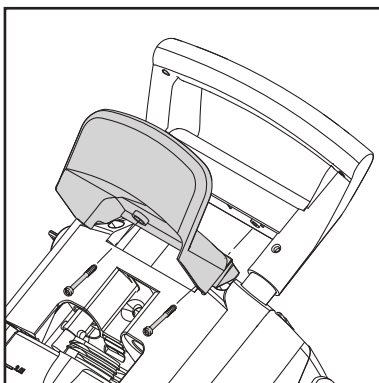
PL

## 4.1 Montering af holdere for dyserør



Monter holderne for dyserør på maskinen.

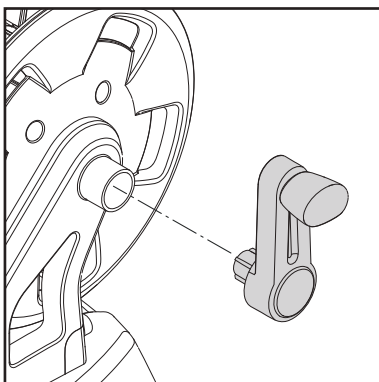
## 4.2 Montering af slangekrog (maskiner uden slangerulle)



Monter slangekrogen (13) på maskinen (to skruer).

**Bemærk!** Slangekrogen kan monteres både foran og bagpå. Den skal monteres foran, hvis produktet skal bruges sammen med en særlig vægkrog til opbevaring på væggen.

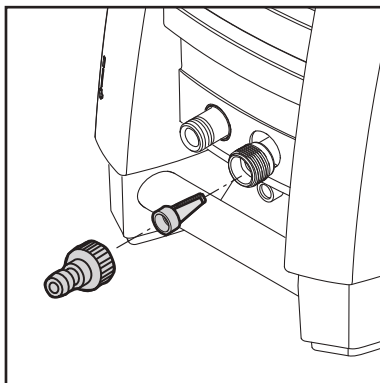
## 4.3 Montering af slangerullehåndtag (maskiner med slangerulle)



Monter slangerullehåndtaget på maskinen (ingen skruer).

EN

#### 4.4 Montering af lynkobling



Skru lynkoblingen fast på vandtilgangen (2).

**Bemærk!** Vandtilgangsfilteret skal altid være monteret i tilgangsrøret for at filtrere større urenheder fra, da disse beskadiger pumpeventilerne.



**Advarsel!** Hvis filteret ikke monteres, ophæves garantien.

DA

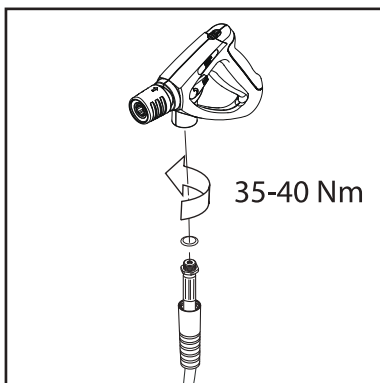
NO

SV

FI

DE

#### 4.5 Montering af højtryksslange på spulehåndtag



Monter højtryksslangen (4) på spulehåndtaget (7).

FR

NL

IT

ES

PT

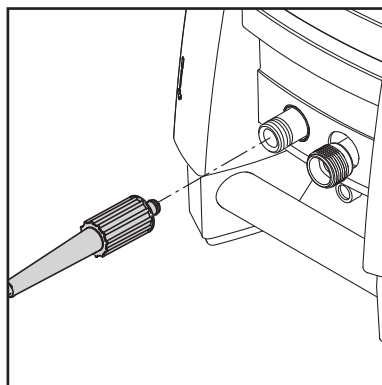
EL

## 5 Betjening af højtryksrensere

TR

CS

#### 5.1 Tilslutning af højtryksslange



**Maskiner uden slangerulle:**  
Monter højtryksslangen (4) på højtryksrensere ved tilslutning for højtryksslange (3).

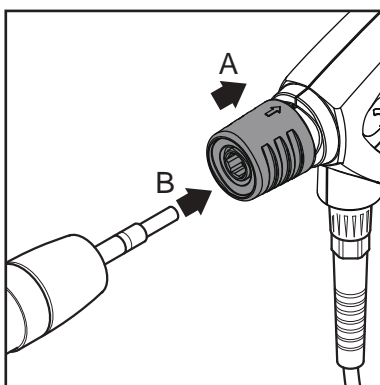
Anvend højst én forlængerslange på maks. 7 m.

**Maskiner med slangerulle:**  
Rul højtryksslangen helt ud.

HU

PL

## 5.2 Montering af dyserør

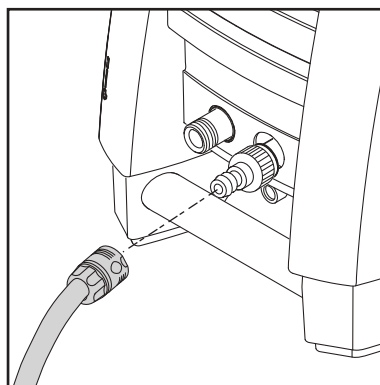


**VIGTIGT!** Niplen skal altid renses for eventuelt snavs, før dyserøret forbindes med spulehåndtaget.

1. Træk det blå lynkoblingsgreb (A) på spulehåndtaget tilbage.
2. Indsæt niplen på dyserøret (B) i lynkoblingen, og frigør den.
3. Træk dyserøret (eller andet tilbehør) fremad for at kontrollere, at det er forsvarligt fastgjort til spulehåndtaget.

## 5.3 Vandtilslutning

Du kan bruge en almindelig 1/2" haveslange på **min. 10 m** og **maks. 25 m**.



**BEMÆRK!** Tilslutning til offentligt vandværk i henhold til bestemmelser.

**VIGTIGT! Brug kun vand uden urenheder.** Hvis der er risiko for flydesand i tilgangsvandet (f.eks. fra egen boring), skal der monteres et ekstra filter.

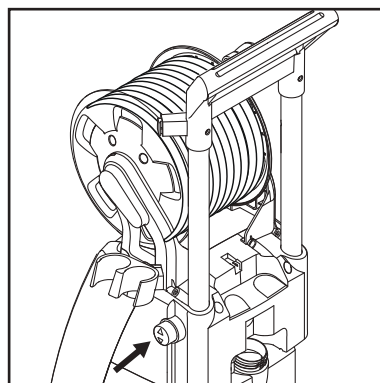
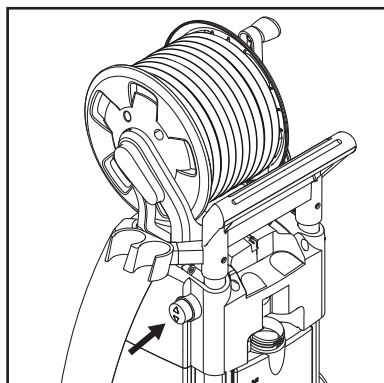
1. Lad vandet løbe gennem vandslangen, før du tilslutter den til maskinen, for at forhindre sand og snavs i at komme ind i maskinen.



**Bemærk!** Kontrollér, at filteret er monteret i tilgangsrøret, og at det ikke er tilstoppet.

2. Tilslut vandslangen til vandforsyningen ved hjælp af en lynkobling (tilgangsvand, maks. tryk: 10 bar, maks. temperatur: 60 °C).
3. Åbn for vandforsyningen.

## 5.4 Teleskophåndtag



Maskinen er forsynet med et teleskophåndtag. For at hæve eller sænke håndtaget, trykkes knappen (15) ind, og håndtaget bevæges op eller ned. Når der høres et klik, sidder håndtaget korrekt.

EN

DA

NO

SV

FI

DE

FR

NL

IT

ES

PT

EL

TR

CS

HU

PL

EN

DA

NO

SV

FI

DE

FR

NL

IT

ES

PT

EL

TR

CS

HU


PL

## 5.5 Start og stop af maskinen (når tilsluttet til en vandforsyning)



Dyserøret påvirkes af en rekylkraft under brug. Derfor skal det altid holdes fast med begge hænder.

### VIGTIGT! Ret dysen mod jorden.

1. Kontrollér, at maskinen står lodret.  
**BEMÆRK!** Placér ikke maskinen i højt græs!
2. Udløs låsen på spulehåndtaget.
3. Aktivér spulehåndtagets udløsergreb, og lad vandet løbe, indtil al luften er kommet ud af højtryksslangen.
4. Drej start/stop-knappen (1) til position .
5. Aktivér spulehåndtagets udløsergreb.

Afpas altid dysens afstand og dermed tryk til emnet (materiale), der skal rengøres.

## 5.6 Start maskinen (når tilsluttet til åbne beholdere (sugefunktion))

Renseren kan selv suge vand fra f.eks. en regnvandsbeholder. Slangen til vandforsyningen må ikke være for lang, ca. 5 m.

Sørg for, at vandbeholderen ikke er placeret lavere end maskinen.

Brug et eksternt filter, hvis vandet indeholder urenheder.

1. Vandslangen skal være fyldt med vand, inden den tilsluttes maskinen. Placér hele vandslangen i en vandbeholder eller en spand. For at undgå vandspild, bøj slangen nede i vandet og tilslut den

Overdæk ikke maskinen under brugen.





**Bemærk!** Hvis maskinen efterlades eller ikke bruges i 5 minutter, skal den slukkes på start/stop-knappen "O" (1):

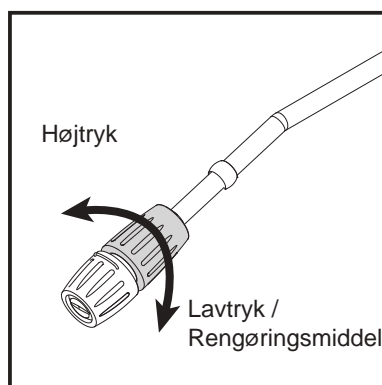
1. Drej start/stop-knappen til position "O".
2. Træk el-stikket ud af stikdåsen.
3. Luk for vandforsyningen og aktivér spulehåndtagets udløsergreb for at fjerne trykket i maskinen.
4. Lås spulehåndtaget.

Når du slipper spulehåndtagets udløsergreb, stopper maskinen automatisk. Maskinen starter igen, når du atter aktiverer spulehåndtaget.

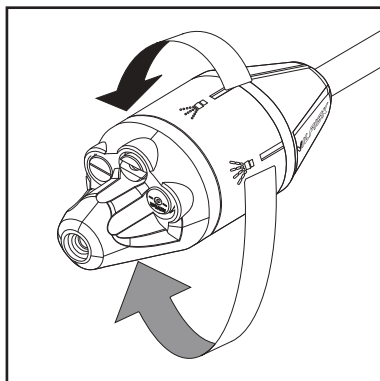
til maskinen ved hjælp af lynkoblingen. Ret dernæst slangen ud igen.

2. Amonter spulehåndtag, dyserør og dyse.
3. Drej start/stop-knappen til position  og lad vandet løbe, indtil luften er kommet ud af vandslangen og pumpen.
4. Drej start/stop-knappen til position "O".
5. Montér spulehåndtaget og efterfølgende dyserøret.
6. Drej start/stop-knappen (1) til position .
7. Aktivér spulehåndtagets udløsergreb.

## 5.7 Trykregulering



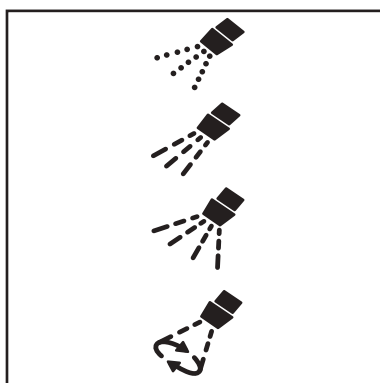
**Flexopower Plus dyse:** Trykket kan reguleres på Flexopower Plus dysen.



**T og XT modeller:**

**4-i-1 dyserør**

Trykket kan reguleres på 4-i-1 dyserøret.



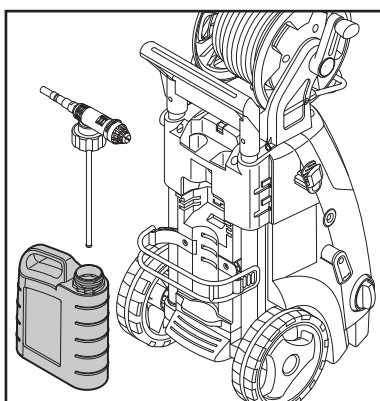
Lavtryk / rengøringsmiddel

Tornado / højtryk

Bredvinkel / højtryk

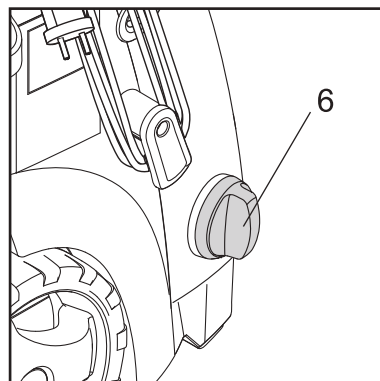
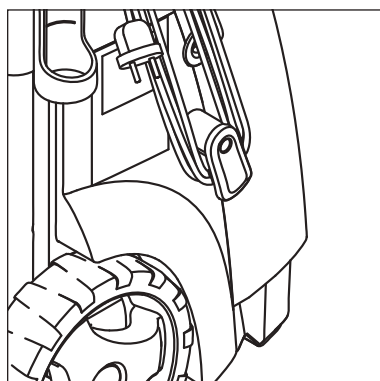
Turbohammer / højtryk

**5.8 Drift med rengøringsmidler**



1. Fyld beholderen med rengøringsmiddel.
2. Påfør rengøringsmidlet nedefra og op.
3. Lad rengøringsmidlet virke i den tid, der er angivet på rengøringsmidlets emballage, og skyl med rent vand, eller brug en børste.

**5.9 Tryk- og vandmængde-regulering (kun modeller med knap for tryk- og vandmængderegulering)**



Arbejdsdruk og vandmængde kan reguleres på maskinen ved at dreje på knappen for tryk- og vandmængderegulering (6).

EN

**DA**

NO

SV

FI

DE

FR

NL

IT

ES

PT

EL

TR

CS

HU

PL

EN

## 6 Anvendelsesområder og arbejdsmetoder

DA

NO

### 6.1 Generelt

Effektiv højtryksrensning opnås ved at følge nogle få retningslinjer kombineret med egen erfaring med specifikke rengøringsopgaver. Tilbehør og rengøringsmidler kan, når de udvælges korrekt, øge højtryksrensens effektivitet. Her er nogle grundlæggende oplysninger om rengøring.

SV

FI

#### 6.1.1 Rengøringsmiddel og skum

Skum eller rengøringsmiddel skal påføres tørre overflader, så kemikalierne er i direkte kontakt med snavset. Rengøringsmidler påføres nedefra og op, f.eks. på et bilkarosseri, for at undgå "superrene" områder, hvor rengøringsmidlerne samles i større koncentrationer og løber ned. Lad rengøringsmidlet virke i flere minutter, før det skylles af, men lad det aldrig tørre ud på den overflade, der skal rengøres. **Bemærk!** Det er vigtigt, at rengøringsmidlerne ikke tørrer ud. Ellers kan de beskadige den overflade, der skal rengøres.

DE

FR

NL

#### 6.1.2 Mekanisk påvirkning

For at nedbryde seje lag snavs skal der måske bruges yderligere mekanisk påvirkning. Særlige vaskebørster giver denne supplerende påvirkning, som fjerner genstridigt snavs, trafikfilm o.l.

IT

ES

PT

EL

TR

CS

HU

PL

# 7 Efter at du har brugt højtryksrenseren

EN

DA

## 7.1 Opbevaring af højtryksrenseren



### Maskinen skal opbevares i et frostfrit lokale!

Pumpe, slange og tilbehør skal altid tømmes for vand før opbevaring på følgende måde:

1. Stands maskinen (drej start/stop-knappen (1) til position "O") og afmonter vandslangen og tilbehøret.
2. Genstart maskinen, og aktivér spulehåndtagets udløsergreb. Lad maskinen køre, indtil der ikke løber vand gennem spulehåndtaget.
3. Stop maskinen. Træk el-stikket ud. Ledningen vindes op omkring krogene placeret på siden af maskinen.
4. Adskil spulehåndtag og dyserør.

### 5. Maskiner uden slangerulle:

Afmonter højtryksslangen og placer den oprullet på slangeophænget.

### Maskiner med slangerulle:

Rul højtryksslangen op på slangerullen.

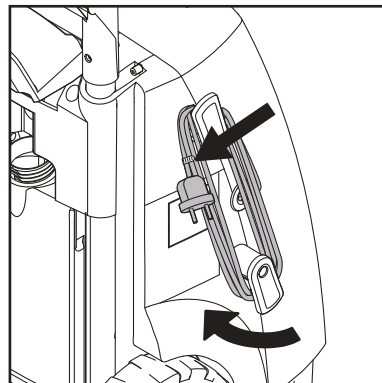
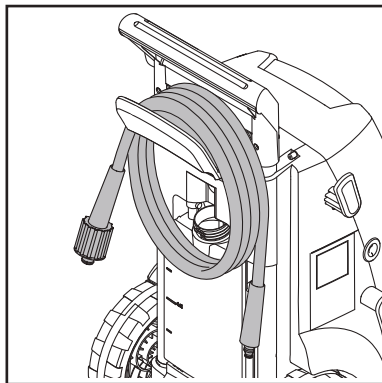
6. Anbring spulehåndtag, dyser og andet tilbehør i holderne på maskinen.

Hvis maskinen ved en fejl er frosset, skal den optøs før start, og det er nødvendigt at kontrollere den for skader.

### START ALDRIG EN TILFROSET MASKINE.

**Frostskader dækkes ikke af garantien!**

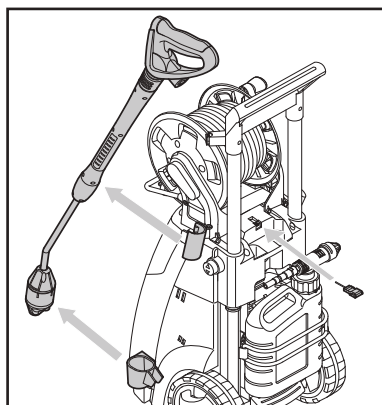
## 7.2 Oprulning af el-ledning og højtryksslange



For at undgå uheld skal el-ledningen og højtryksslangen altid rulles omhyggeligt op.

1. Rul el-ledningen op på de dertil indrettede kroge.
2. Højtryksrenseren fås i to modeller: A) med krog til opbevaring af højtryksslange (13) – B) med slangerulle (12).

## 7.3 Opbevaring af tilbehør



Standardtilbehøret (spulehåndtag, dyserør (A) og dyserensål) kan opbevares på højtryksrenseren.

NO

SV

FI

DE

FR

NL

IT

ES

PT

EL

TR

CS

HU

PL

EN

## 8 Vedligeholdelse

DA

NO

SV

FI

DE

FR

NL

IT

ES

PT

EL

TR

CS

HU

PL



**ADVARSEL!** Træk altid stikket ud af stikdåsen før vedligeholdelse eller rengøring.

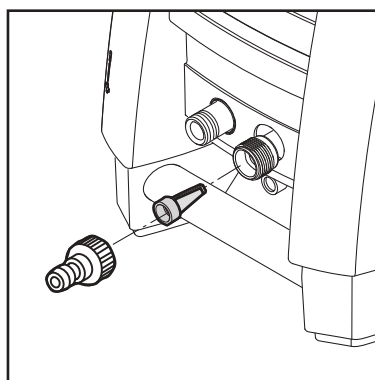
For at sikre lang og problemfri drift, er det en god idé at gøre følgende til en vane:

- Uds skyl vandslangen, højtryksslangen, spulehåndtaget og tilbehøret før montering.

- Rengør koblingerne for støv og sand.
- Rengør dyserne.

Alle reparationer skal foretages på et autoriseret værksted med originale reservedele.

### 8.1 Rengøring af vandtilgangsfilteret

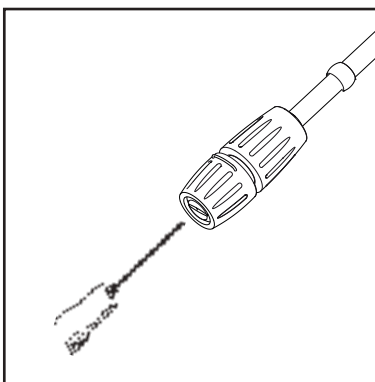


Rengør vandtilgangsfilteret regelmæssigt en gang om måneden eller oftere efter behov. Løsn forsigtigt filteret med en tang, og rengør det. Kontrollér, at det er intakt, før det monteres igen.

Vandtilgangsfilteret skal altid være monteret i tilgangsrøret for at filtrere diverse urenheder fra, da disse beskadiger pumpeventilerne.

**ADVARSEL!** Hvis filteret ikke monteres, ophæves garantien.

### 8.2 Rengøring af dysen



Hvis dysen tilstoppes, bliver pumpetrykket for højt. Derfor er det nødvendigt at rengøre den med det samme.

1. Stop maskinen, og afmontér dysen.

2. Rens dysen.

**VIGTIGT!** Rensenålen (11) må **kun** bruges, når dysen er afmonteret!

3. Skyl dysen i baglæns igennem med vand.

### 8.3 Rengøring af maskinens ventilationsåbninger

Maskinen skal holdes ren, så køleluften frit kan passere gennem maskinens ventilationsåbninger.

### 8.4 Smøring af koblinger

For at sikre en nem tilslutning, og at o-ringe ikke tørrer ud, skal koblingerne smøres regelmæssigt.



# 9 Fejlfinding

For at undgå unødige skuffelser skal du kontrollere følgende, før du kontakter din lokale Nilfisk forhandler:

Symptom	Årsag	Anbefalet løsning
<b>Maskine nægter at starte</b>	Maskinen er ikke tilsluttet Defekt stikkontakt Sikring er sprunget Defekt forlængerledning	Tilslut maskinen. Prøv en andet stikkontakt. Udskift sikring. Sluk for andre maskiner. Prøv uden forlængerledningen.
<b>Svingende tryk</b>	Pumpe suger luft ind Ventiler beskidte, slidte eller sidder fast Pumpetætninger slidte	Kontrollér, at slanger og samlinger er lufttætte. Rengør og udskift, eller kontakt din lokale Nilfisk-forhandler. Rengør og udskift, eller kontakt din lokale Nilfisk forhandler.
<b>Motor brummer</b>	Lav spænding eller lav temperatur	Aktivér udløseren på spulehåndtaget.
<b>Maskine stopper</b>	Sikring er sprunget Forkert netspænding  Termoføler aktiveret Dyse delvist tilstoppet	Udskift sikring. Sluk for andre maskiner. Kontrollér, at netspændingen svarer til specifikationen på typeskiltet. Lad rensere stå i 5 minutter for at køle ned. Rengør dysen (se afsnit 7.2).
<b>Sikring springer</b>	Sikring for lille	Skift til en installation, der er højere end maskinens strømforbrug. Du kan prøve uden forlængerledningen.
<b>Maskine pulserer</b>	Luft i indløbsslange/-pumpe  Utilstrækkelig vandforsyning  Dyse delvist tilstoppet Vandfilter tilstoppet Slange snoet	Lad maskinen køre med åbent spulehåndtag, indtil trykket atter er normalt. Kontrollér, at vandforsyningen svarer til specifikationerne (se typeskilt). <b>NB!</b> Undgå lange, tynde slanger (min. 1/2"). Rengør dysen (se afsnit 7.2). Rengør filteret (se afsnit 7.1). Ret slangen ud.
<b>Maskine starter ofte og stopper af sig selv</b>	Spulehåndtag utæt	Kontakt dit nærmeste Nilfisk Servicecenter. Udskift sæde/kugle/O-ring i spulehåndtagets ventil.
<b>Maskine starter, men der kommer ingen vand</b>	Pumpe/slanger eller tilbehør frosset Ingen vandforsyning Vandfilter tilstoppet Dyse tilstoppet	Vent på, at pumpe/slanger eller tilbehør tør op.  Tilslut tilgangsvandet. Rengør filteret (se afsnit 7.1). Rengør dysen (se afsnit 7.2).
<b>Pumpetrykket falder</b>	Tryk-/vandmængde-reguleringsknappen er ikke indstillet korrekt	Indstil det ønskede arbejdstryk.

Hvis du har andre problemer end de nævnte, skal du kontakte din lokale Nilfisk forhandler.

EN

DA

NO

SV

FI

DE

FR

NL

IT

ES

PT

EL

TR

CS

HU

PL

EN

# 10 Yderligere oplysninger

DA

## 10.1 Service og vedligehold

I tilfælde af behov for service og vedligehold, kontakt da venligst din forhandler.

NO

SV

FI

# 11 Tekniske data

DE

FR

NL

IT

ES

PT

EL

TR

CS

HU

PL

Type		MC2C-60/520 XT US-CAN	MC2C-80/520 T	MC2C-120/520 T	MC2C-120/520 XT	MC2C-140/610 XT	MC2C-140/610 P	MC2C-150/650	MC2C-140/650 (EXPT)	MC2C-150/650 XT
Nominelt tryk	bar/MPa	60/6,0	80/8,0	120/12	120/12	140/14	140/14	150/15	140/14	150/15
Cleaning impact	kg/force	2	2	2,2	2,2	2,5	2,5	2,9	2,9	2,9
Vandmængde	Qmax/ QIEC l/min.	2,3/2,2 gallon	8,7/8,2	8,7/7,8	8,7/7,8	10,2/9,0	10,2/9,0	10,8/9,5	10,8/9,5	10,8/9,5
Spænding/fase/ frekvens/strøm	V/-/Hz/A	120/1/ 60/15	115-127/1/ 60/15	230/1/ 50/10	230/1/ 50/10	230/1/ 50/12,6	230/1/ 50/12,6	230/1/ 50/14,5	220/1/ 60/14,5	230/1/ 50/14,5
Maks. vand- temperatur	°C	60	60	60	60	60	60	60	60	60
Ledning	m	10	5	5	5	5	5	5	5	5
Pumpe	Omdr./min	3400	3400	2800	2800	2800	2800	2800	3400	2800
Dysetørrelse	1/8"	0,475	0,475	0,340	0,340	0,340	0,370	0,340	0,350	0,340
Lydtryksniveau LPA	dB(A)	72 ±2	72 ±2	72 ±2	72 ±2	72 ±2	72 ±2	72 ±2	72 ±2	72 ±2
Lydeffektniveau LWA	dB(A)	89	86	86	86	86	86	88	88	88
Vibrationer iht. ISO 5349-1	m/s <sup>2</sup>	< 2,5	< 2,5	< 2,5	< 2,5	< 2,5	< 2,5	< 2,5	< 2,5	< 2,5
Vægt	kg	28,6	27,3	27,3	28,1	28,1	28,1	26,3	26,3	28,1

# 12 Erklæring

Vi,

Nilfisk A/S  
Marmorvej 8  
2100 København Ø  
DANMARK

erklærer hermed under vores eneansvar, at

Produkter: HPW – Professional – Mobile – EI – CW  
Beskrivelse: 230 V, 50 Hz, IPX5  
Type: MC2C-120/520 T, -120/520 XT, -140/610 XT, -150/650 XT, -140/650 EXPT

er i overensstemmelse med følgende standarder:

EN 60335-1:2012+A11:2014+A13:2017+A1:2019+A14:2019+A2:2019+A15:2021+A16:2023  
EN 60335-2-79:2012  
EN 55014-1:2021  
EN 55014-2:2021  
EN 61000-3-2:2019+A1:2021  
EN 61000-3-11:2019  
EN 63000:2018

Følgende EU-harmoniseringslovgivning:

2006/42/EF  
2014/30/EU  
2011/65/EU  
2000/14/EF – Overensstemmelsesvurderingsprocedure i henhold til bilag V.  
– Målt lydeffektniveau: 86-88 dB(A); Garanteret lydeffektniveau: 89-91 dB(A)

Broendby, 2024-01-02

*Warner Guo (Warner) Guo*

Warner Guo, VP R&D, Head of Competence Center APAC • R&D

EN

DA

NO

SV

FI

DE

FR

NL

IT

ES

PT

EL

TR

CS

HU

PL

EN

DA

NO

SV

FI

DE

FR

NL

IT

ES

PT

EL

TR

CS

HU

PL

# Innhold

<b>1</b>	<b>Innledning .....</b>	<b>45</b>
	1.1 Symboler som er brukt for merking.....	45
<b>2</b>	<b>Sikkerhetsforanstaltninger og arbeidsmetoder.....</b>	<b>45</b>
<b>3</b>	<b>Beskrivelse.....</b>	<b>51</b>
	3.1 Bruksområde .....	51
	3.2 Oversikt over bestand-deler og modell.....	51
<b>4</b>	<b>Før du begynner å bruke høytrykksvaskeren.....</b>	<b>52</b>
	4.1 Montering av holdere til lanse.....	52
	4.2 Montering av slangekrog (modeller uten slangetrommel).....	52
	4.3 Montering av slangetrommel håndtak.....	52
	4.4 Montering av hurtigkobling.....	53
	4.5 Montering av høytrykks-slange på spylehåndtak.....	53
<b>5</b>	<b>Slik betjener du høytrykksvaskeren .....</b>	<b>53</b>
	5.1 Tilkobling av høytrykkslange (modeller uten slangetrommel).....	53
	5.2 Montering av spylelanse .....	54
	5.3 Vanntilkobling.....	54
	5.4 Teleskophåndtag .....	54
	5.5 Start og stopp av høytrykksvaskeren (når den er koblet til vanntilførselen) .....	55
	5.6 Starte maskinen (når den er koblet til åpne beholdere (innsugingsmodell)).....	55
	5.7 Trykkgulering .....	55
	5.8 Bruk med rengjøringsmidler.....	56
	5.9 Regulering af trykk vannmengde (kun modeller med knapp for regulering av trykk og vannvolum).....	56
<b>6</b>	<b>Bruksområder og arbeidsmetoder.....</b>	<b>57</b>
	6.1 Generelt.....	57
<b>7</b>	<b>Etter at du har brukt høytrykksvaskeren.....</b>	<b>58</b>
	7.1 Oppbevaring av høytrykksvaskeren .....	58
	7.2 Opprulling av strømledning og høytrykkslange.....	58
	7.3 Oppbevaring av tilbehør .....	58
<b>8</b>	<b>Vedlikehold.....</b>	<b>59</b>
	8.1 Rensing av vanntilgangsfilter .....	59
	8.2 Rengjøring av dyse.....	59
	8.3 Rengjøring av ventilasjonsåpninger.....	59
	8.4 Smøring av koblinger.....	59
<b>9</b>	<b>Feilsøking.....</b>	<b>60</b>
<b>10</b>	<b>Ytterligere informasjon .....</b>	<b>61</b>
	10.1 Garantivilkår.....	61
<b>11</b>	<b>Tekniske data .....</b>	<b>61</b>
<b>12</b>	<b>EF/EU samsvarserklæring .....</b>	<b>62</b>

# 1 Innledning

## 1.1 Symboler som er brukt for merking



Alle piktogrammene som er festet til høytrykksvaskeren og komponentene til den, blir vist og forklart i denne bruksanvisningen.

Sikkerhetsinstruksjoner som er merket med dette symbolet, må følges for å hindre person-skader eller alvorlige skader på eiendom.



OBS hvor det er fare for å skade maskinen eller enkeltkomponentene til maskinen.



Dette symbolet angir tips og anvisninger som gjør arbeidet enklere og sikrer forsvarlig bruk av høytrykksvaskeren.

## 2 Sikkerhetsforanstaltninger og arbeidsmetoder



Les denne bruksanvisningen nøye før du starter høytrykksvaskeren for første gang. Ta vare på den til senere bruk.



### Advarsel!

- Inhalering av aerosoler kan være helseskadelig. Bruk om mulig utstyr som hindrer eller reduserer produksjonen av aerosol, for eksempel en skjerm som dekker dysen. Bruk åndedrettsmaske i klasse FFP 2 eller høyere som beskyttelse mot aerosoler.
- Det høye vanntrykket som maskinen produserer samt strømtilkoblingen, er særlige farekilder.
- Maskiner må ikke brukes av barn eller personale som ikke har fått den nødvendige opplæringen. Barn må ha tilsyn for å sikre at de ikke leker med maskinen.
- Ikke bruk maskinen i nærheten av personer som ikke benytter verneutstyr.
- Kontroller maskinen nøye før oppstart, med tanke på feil og mangler. Finner du noen, må du ikke starte maskinen, men kontakte din Nilfisk-forhandler. Isolasjonen til strømledningen skal være feilfri og uten sprekker. Hvis strømledningen er skadet, må den skiftes av en autorisert Nilfisk-forhandler.
- Støpselet må alltid tas ut av kontakten ved rengjøring eller vedlikehold, samt ved utskifting av deler eller konvertering av maskinen til andre funksjoner.
- Følg nasjonale sikkerhetsbestemmelser som for eksempel er utarbeidet av arbeidsgivernes ansvarsforsikringsselskaper, trygdeinstitusjoner, arbeidstilsyn eller andre organisasjoner.

EN

DA

NO

SV

FI

DE

FR

NL

IT

ES

PT

EL

TR

CS

HU

PL



## Tilbehør og reservedeler

- Sørg for at maskinen er sikker ved å bruke bare originale reservedeler fra Nilfisk eller som er godkjent av Nilfisk.
- Høytrykksslanger, tilbehør og koblinger er viktige for maskinens sikkerhet. Bruk bare slanger, tilbehør og koblinger som er anbefalt av Nilfisk.



## Fysiske, sansemessige eller mentale tilstander

- Denne maskinen skal ikke brukes av personer (inkludert barn) med redusert fysisk, sensorisk eller mental kapasitet eller som mangler relevant erfaring eller innsikt. Hvis maskinen brukes av personer med reduserte fysiske, sensoriske eller mentale evner eller mangel på erfaring og kunnskap, må de være under oppsyn eller ha fått veiledning i hvordan maskinen skal brukes på en forsvarlig måte og de må forstå hvilke farer bruk av maskinen innebærer.



## Bruksområder

Denne maskinen er utviklet for bruk i hjemmet og profesjonelt som f.eks:

- hjemme: bil, motorsykkel, båt, campingvogn, henger, uteplass/drive/møbler, gressklipper.
- profesjonelt: rengjøring av overflater, biler, lastebiler, båter, verktøy og utstyr.

All annen bruk regnes som ikke-forskriftsmessig. Nilfisk kan ikke holdes ansvarlig for skader som skyldes ikke-forskriftsmessig bruk. Denne typen skjer utelukkende på brukerens eget ansvar. For at bruken skal være forskriftsmessig, forutsettes i tillegg at drift, service og reparasjoner er iht. instruksjonene som er gitt her.

## Klær og utstyr

Iverksett alltid tiltak for å beskytte deg selv når du bruker maskinen.

- Bruk sko med sklisikre såler.
- Bruk vernebriller, hørselsvern og verneklær.



## Transport av høytrykksvaskeren

- Når maskinen transporteres i eller på et kjøretøy, må den festes godt, for eksempel med stropper så den ikke kan skli eller velte.
- Nilfisk anbefaler at maskinen plasseres horisontalt bak i eller på kjøretøyet.

EN

DA

NO

SV



## Vaskemidler

- Denne maskinen er beregnet på bruk med vaskemidlene som følger med eller som anbefales av Nilfisk. Bruk av andre vaskemidler eller kjemikalier kan virke negativt inn på maskinens sikkerhet.

FI

DE

FR



## Før du starter arbeidet

### Kontroll av maskinen

- Maskinen må ikke brukes hvis strømledningen eller viktige deler av maskinen er skadet, for eksempel sikkerhetsutstyret, høytrykkslangen samt pistolgrepet og tilbehøret.
- Utløseren til pistolgrepet må gå lett, og må gå automatisk tilbake til startposisjon når du slipper den.
- Sørg for at høytrykkslangen og tilbehøret alltid er i god stand (rene, beveger seg lett) og riktig montert.

NL

IT

ES

PT

EL

TR



## Strømtilkobling

### Advarsel!

Reduser risikoen for elektrisk støt:

- Maskinens spenning og frekvens (se tyepsilt) må tilsvare spenningen og frekvensen til strømforsyningen.
- Maskinen må bare kobles til en elektrisk installasjon som er gjort av en autorisert elektriker, og må være i overensstemmelse med IEC 60364-1.
- Det anbefales at strømforsyningen til maskinen har en jordfeilbryter som kutter tilførselen hvis lekkasjestrømmen til jord overstiger 30 mA i 30 ms.
- Bruk motorstartsikring / treg sikring med C eller D-karakteristikk ifølge IEC/EN 60898-1 / IEC 947-2 eller tilsvarende standarder utenfor IEC.

CS

HU

PL

EN

DA

NO

SV

FI

DE

FR

NL

IT

ES

PT

EL

TR

CS

HU

PL

- Da maskinen har et høyt strømforbruk, må det brukes en egnet hovedsikring.
- Mangelfulle skjøteledninger kan være farlige. Ved bruk av skjøteledning må denne egne seg for utendørs bruk, og tilkoblingen må være tørr og over bakkenivå.
- Nilfisk anbefaler kabeltrommel hvis det er behov for skjøteledning, med en kontakt som er minst 60 mm over bakken.
- Hvis strømledningen er skadet, må den skiftes av en autorisert Nilfisk-forhandler eller tilsvarende kvalifisert person, for å unngå at det oppstår farlige situasjoner.
- Ved tilkobling af højtryksrenseren til den elektriske strømforsyning er den maks. tilladte impedans  $0,4023 \Omega$  ( $Z_{max}$ ). Kontakt dit elselskab for at sikre dig, at udstyret kun tilsluttes en strømforsyning med denne impedans eller mindre.



### Vanntilkobling

- Denne høytrykksvaskeren er bare godkjent for tilkobling til drikkevannskran når det er montert en egnet tilbakeslagsventil i henhold til EN 60335-2-79.
- Tilbakeslagsventilen kan bestilles under ordrenummer 106411177.
- Straks vannet har strømmet gjennom tilbakeslagsventilen, regnes det ikke lenger som drikkevann.
- Bruk med innsuging (f.eks. fra en beholder med regnvann) skjer uten tilbakeslagsventil – se ”**Tilkobling til trykkløs vannforsyning**”. Maskinen kan kobles til vannforsyningen med et vanninntakstrykk på maks. 1 MPa/10 bar og maks. 60 °C.

### Sikkerhetsinnretninger

#### Feste av enhet på spylehåndtak:

- Spylehåndtaket har en låseinnretning. Når låsen aktiveres, er det ikke mulig å bruke spylehåndtaket.

#### Termisk sensor

- Selv-tilbakestillende  
En termisk sensor beskytter motoren mot overbelastning. Maskinen vil starte på nytt om noen minutter når den termiske sensoren har kjølt seg ned.



- Stiller seg ikke tilbake selv (bare for MC2C US modell)  
En manuell operasjon for tilbakestilling er nødvendig. Manuell operasjon betyr å koble fra apparatet fra strømmettet.



### Forsiktig:

For å unngå fare på grunn av utilsiktet tilbakestilling av termisk utkobling, må dette apparatet ikke forsynes via en ekstern koblingsenhet, for eksempel en timer, eller kobles til en krets som regelmessig slås på og av av verktøyet.

### Trykksikringsenhet:

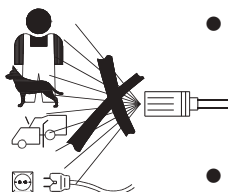
- En integrert hydraulisk sikkerhetsventil beskytter systemet mot overtrykk.



### Under arbeidet

## Advarsel!

- Det er ikke tillatt å rengjøre asbestholdige underlag med høyt trykk.
- Eksplosjonsfare – ikke sprøyt brennbare væsker.
- Unngå å trekke inn væsker som inneholder løsemidler (f.eks. bensin, fyringsolje, malingstynner eller acetone). Disse stoffene ødelegger materialene som er brukt i maskinen. Dusjen er svært brennbar, eksplosiv og giftig.
- Vannstrålen må ikke rettes mot deg selv, andre personer, heller ikke i den hensikt å rengjøre klær eller fottøy – **fare for personskader**.
- Vannstrålen må ikke rettes mot kjæledyr eller andre dyr.
- Vannstrålen må ikke rettes mot strømførende elektrisk utstyr eller selve maskinen – **fare for kortslutning**.
- Spylelansen blir utsatt for et trykk på opptil 27,4 N og et plutselig dreiemoment ved aktivering av spylehåndtaket under bruk.
- Denne høytrykksvaskeren må ikke brukes ved temperaturer under 0 °C.
- Start aldri en maskin som er frosset. Frostskader dekkes ikke av garantien!
- Sørg alltid for godt fotfeste.
- Maskinen skal brukes i opprett stilling.
- Hvis du går fra maskinen eller lar den stå ubrukt i 5 minutter, må du slå den av med start-/stopp bryteren "O".



EN

DA

NO

SV

FI

DE

FR

NL

IT

ES

PT

EL

TR

CS

HU

PL

EN

DA

NO

SV

FI

DE

FR

NL

IT

ES

PT

EL

TR

CS

HU

PL



## Etter avsluttet arbeid

### ADVARSEL!

- Slå alltid av maskinen og trekk støpselet ut av stikkontakten når arbeidet er avsluttet og når du går fra maskinen uten tilsyn.
- Koble fra inntaksslangen mellom maskinen og vannforsyningen.
- Tøm alltid pumpen, slangen og tilbehøret for vann etter at maskinen er brukt og før den settes vekk.



## Vedlikehold og reparasjoner

### ADVARSEL!

- Trekk alltid støpselet ut av stikkontakten før vedlikehold, rengjøring og reparasjon.
- Alle reparasjoner skal utføres ved et autorisert Nilfisk-verksted med originale reservedeler fra Nilfisk.
- Ikke forsøk å utføre vedlikehold som ikke er beskrevet i anvisningene.
- Hvis maskinen ikke vil starte, stopper, pulserer, trykket varierer, motoren summer, sikringen går eller det ikke kommer vann ut av den, må du se feilsøkingstabellen i denne bruksanvisningen. Kontakt din lokale Nilfisk-forhandler hvis det skulle oppstå andre problemer.
- Rengjøring og brukervedlikehold skal ikke utføres av barn uten tilsyn.



## Korrekt avfallshåndtering av dette produktet:

Denne merkingen indikerer at produktet ikke skal avfallshåndteres sammen med annet husholdningsavfall i EU-området. For å hindre mulige skader på miljøet eller helseskader på mennesker ved ukontrollert avfallshåndtering, skal produktet avfallshåndteres på en ansvarlig måte for å fremme bærekraftig gjenbruk av materialressursene. For å returnere det brukte produktet, vennligst bruk retur- og innsamlingsystemene eller kontakt salgsstedet der produktet ble kjøpt. De kan ta imot dette produktet for miljø sikker resirkulering.

# 3 Beskrivelse

EN

DA

**NO**

SV

FI

DE

FR

NL

IT

ES

PT

EL

TR

CS

HU

PL

## 3.1 Bruksområde

Denne høytrykksspyleren er beregnet på halvprofesjonell rutinemessig rengjøring:

- *Profesjonelle håndverkerjobber, rengjøring av kjøretøy, båter, campingvogner og mindre rengjøringsjobber innen bygg- og anlegg*

Avsnitt 6 beskriver hvordan høytrykksvaskeren brukes for de ulike rengjøringsoppgavene.

Høytrykksvaskeren må bare brukes til de formål som er beskrevet i denne boken.

Sikkerhetsforanstaltningene må følges for å hindre skade på maskinen, flaten som skal rengjøres eller alvorlige personskader.

## 3.2 Oversikt over bestanddeler og modell



Se illustrasjon bakerst i denne boken.

- 1 Start-/stoppbryter
- 2 Vanntilgang (med filter)
- 3 Høytrykkskobling (kun modeller uten slangerulle)
- 4 Høytrykksslange
- 5 Strømledning
- 6 Regulering av trykk / vannmengde (ikke standard)
- 7 ERGO 2000 spylehåndtak med låsemekanisme
- 8 Flexopower Plus lanse
- 9 4-i-1 spylelanse (T og XT modeller)
- 10 Avtakbar beholder til rengjøringsmidler

- 11 Dyserensenål
- 12 Slangetrommel
- 13 Krok til slange (modeller uten slangetrommel)
- 14 Typeskilt
- 15 Trallehåndtak (teleskophåndtak)
- 16 Knap for teleskophåndtak
- 17 Drejelig kabelkrog

**Spesifikasjoner:** Se maskinens typeskilt (14).

Vi forbeholder oss rett til endringer.

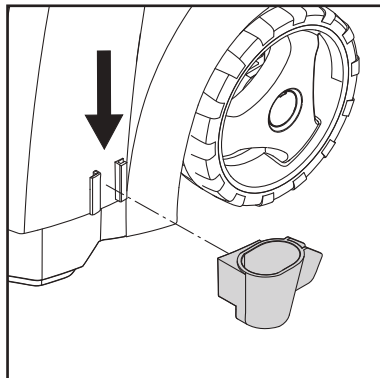
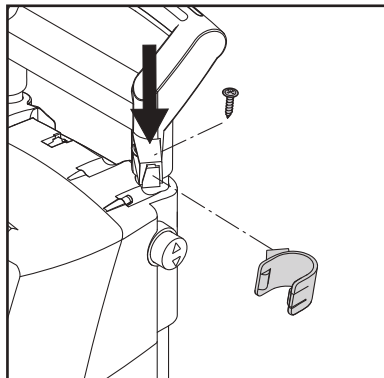
EN

## 4 Før du begynner å bruke høytrykksvaskeren

DA

NO

### 4.1 Montering av holdere til lanse



Monter holderne til lansen på maskinen.

SV

FI

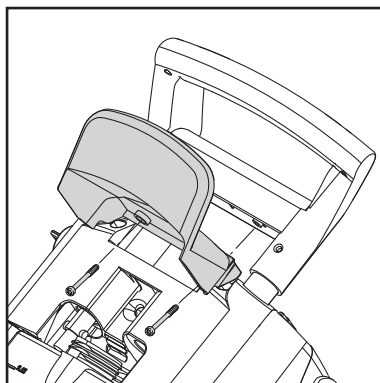
DE

FR

NL

IT

### 4.2 Montering av slangekrog (modeller uten slange-trommel)



Monter kroken til slangen (13) på maskinen (2 skruer).

**Merk:** Kroken til slangen kan monteres enten foran eller bak. Monter kroken foran hvis du har tenkt å henge høytrykksvaskeren i en spesialkrok på veggen.

ES

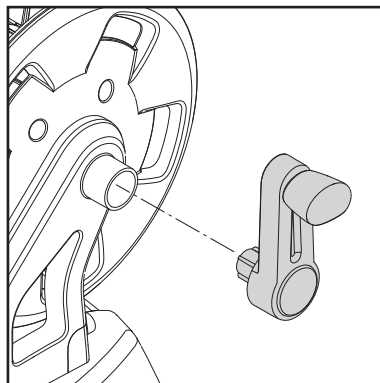
PT

EL

TR

CS

### 4.3 Montering av slange-trommel håndtak

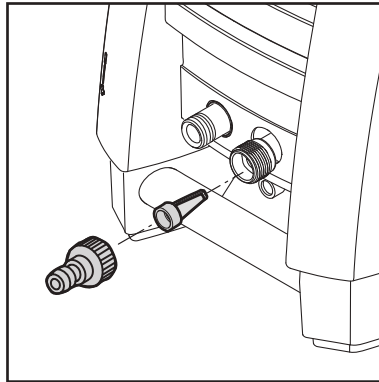


Klikk håndtaket til slange-trommelen på håndtaket til trallen (ingen skruer).

HU

PL

#### 4.4 Montering av hurtigkobling



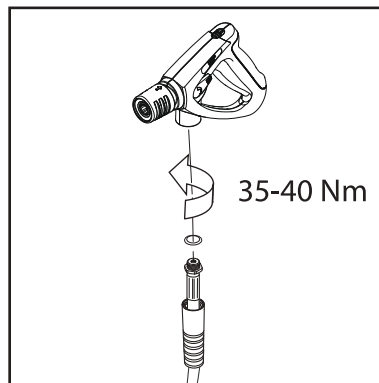
1. Skru hurtigkoblingen forsvarlig på vanntilgangen (2).

**Merk:** Tilgangsfilteret må alltid monteres på vanninntaksrøret for å filtrere vekk større smusspartikler, da disse vil skade pumpeventilene.



**OBS:** Garantien bortfaller hvis filteret ikke er montert.

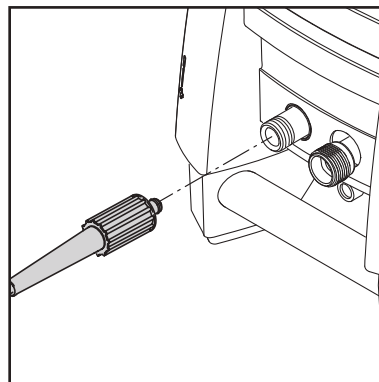
#### 4.5 Montering av høytrykkslange på spylehåndtak



Monter høytrykkslangen (4) på spylehåndtaket (7).

## 5 Slik betjener du høytrykksvaskeren

#### 5.1 Tilkobling av høytrykkslange (modeller uten slangetrommel)



**Modeller uten slangetrommel:**  
Koble høytrykkslangen (4) til høytrykksvaskeren (3).

Bruk bare én skjøteledning på maks. 7 m.

**Modeller med slangetrommel:**  
Rull ut høytrykkslangen helt.

EN

DA

NO

SV

FI

DE

FR

NL

IT

ES

PT

EL

TR

CS

HU

PL

EN

## 5.2 Montering av spylelanse

DA

NO

SV

FI

DE

FR

NL

## 5.3 Vanntilkobling

IT

ES

PT

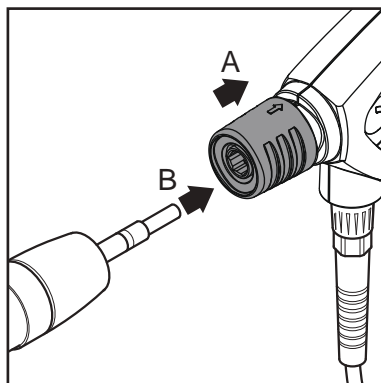
EL

TR

CS

HU

PL



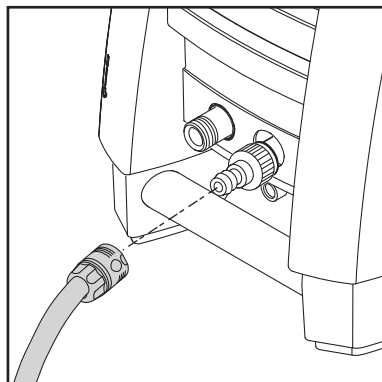
1. Trekk den blå hurtigkoblingen (A) på pistolgrepet bakover.
2. Stikk nippelen på lansen (B) inn i hurtigkoblingen og slipp denne.
3. Trekk lansen (eller annet utstyr) forover for å sjekke at den er godt festet til pistolgrepet.



### MERKNAD!

Rengjør alltid nippelen for eventuelle smusspartikler før spylelansen forbindes med spylehåndtaket.

En vanlig 1/2" hageslange på **minst 10 m** og **maks. 25 m** vil egne seg.



**VIKTIG! Bruk bare vann som er fritt for urenheter.** Hvis det er fare for flytesand i tilgangsvannet (for eksempel fra egen brønn) må det monteres et ekstra filter.

1. La vannet renne gjennom vannslangen før den kobles til høytrykksvaskeren – for å hindre at sand og smuss trnger inn i maskinen.

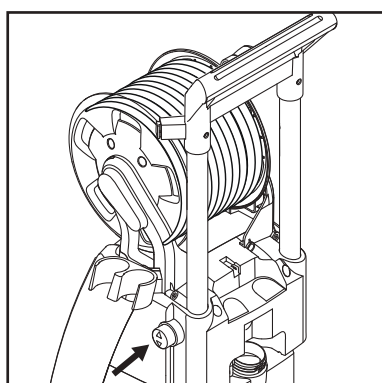
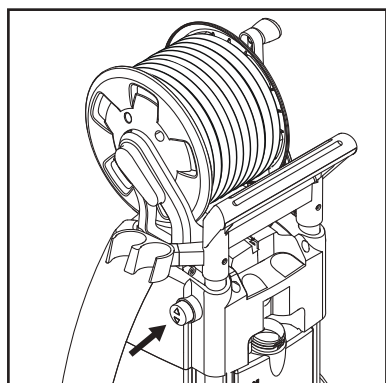


**Merk:** Kontroller at filteret er montert i vanntilgangsstussen og at det ikke er tett.

2. Koble vannslangen til vanntilførselen ved hjelp av hurtigkoblingen (tilgangsvann, maks. trykk: 10 bar, maks. temperatur: 60 °C).
3. Skru på vannet.



**MERK:** Tilkobling til offentlig vannverk i overensstemmelse med gjeldende regler.



## 5.4 Teleskophåndtag

Maskinen har et teleskophåndtag. For at hæve eller sænke håndtaget, trykkes knappen (15) ind og håndtaget bevæges op eller ned. Når der høres et klik, sidder håndtaget korrekt.

### 5.5 Start og stopp av høytrykksvaskeren (når den er koblet til vanntilførselen)



Det er trykk i spylelansen under bruk – hold den derfor fast med begge hender.

#### VIKTIG: Rett dysen mot bakken.

1. Kontroller at maskinen står lodrett.  
**MERK:** Sett ikke maskinen i høyt gress!
2. Frigjør låsen på spylehåndtaket.
3. Aktiver utløseren på spylehåndtaket og la vannet renne til all luft er ute av høytrykksslangen.
4. Drej start-/stoppbryteren (1) til position
5. Aktiver utløsergrepet på spylehåndtaket.

Reguler alltid avstanden og dermed trykket på dysen i forhold til flaten som skal rengjøres.

### 5.6 Starte maskinen (når den er koblet til åpne beholdere (innsugingsmodell))

Høytrykksvaskeren kan bruke vann fra for eksempel en regnvannstønne. Vanntilførsels-slangen må ikke være for lang, ca. 5 m.

Pass på at regnvannstønna ikke plasseres lavere enn maskinen.

Bruk et eksternt filter hvis vannet inneholder urenheter.

1. Se til at vannslangen er helt fylt opp med vann før du kobler til maskinen. Plasser hele slangen i en tank eller bøtte. Fold vanninntaksslangen ned i vannet for å

Maskinen må ikke tildekkes under bruk.



**Merk:** Hvis du går fra maskinen eller lar den stå ubrukt

i 5 minutter, må du slå den av med start-/stoppbryteren "O" (1):

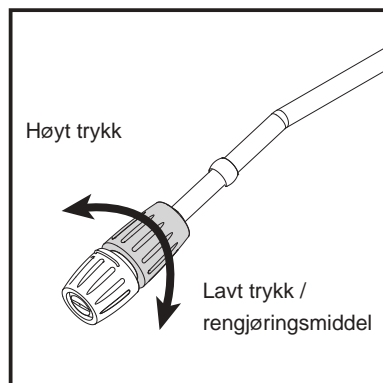
1. Drej start-/stoppbryteren (1) til position "O".
2. Trekk støpselet ut av stikkontakten.
3. Steng av vanntilførselen og aktiver utløsergrepet slik at trykket i maskinen avlastes.
4. Lås spylehåndtaket.

Høytrykksvaskeren stopper automatisk når låsen på spylehåndtaket frigjøres. Maskinen starter igjen når du aktiverer spylehåndtaket på nytt.

forhindre vannsøl og koble slangen til maskinen med hurtigkoblingen, fold deretter ut vanninntaksslangen igjen.

2. Demonter spylehåndtaket, lansen og munnstykket.
3. Sett start-/stoppbryteren i posisjonen og la vannet strømme til luften er ute av vannslangen og pumpen.
4. Drej start-/stoppbryteren (1) til position "O".
5. Monter spylehåndtaket og deretter lansen.
6. Drej start-/stoppbryteren (1) til position .
7. Aktiver utløsergrepet på spylehåndtaket.

### 5.7 Trykkregulering



#### Flexopower Plus dysen:

Trykket kan reguleres på Flexopower Plus dysen.

EN

DA

NO

SV

FI

DE

FR

NL

IT

ES

PT

EL

TR

CS

HU

PL

EN

DA

NO

SV

FI

DE

FR

NL

IT

ES

PT

EL

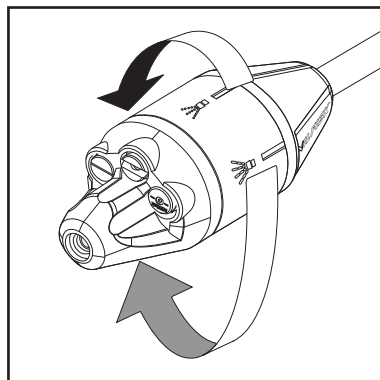
TR

CS

HU

PL

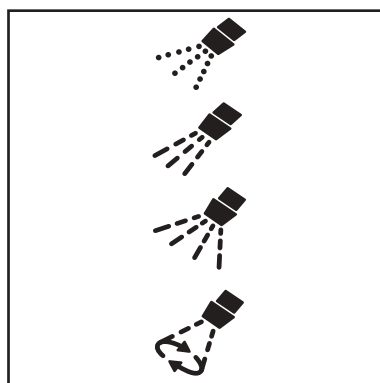
## 5.8 Bruk med rengjøringsmidler



T og XT modeller:

### 4-i-1 spylelanse

Trykket kan reguleres på 4-i-1 spylelansen.



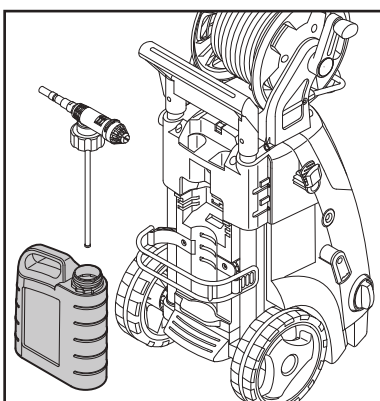
Lavt trykk/vaskemiddel

Tornado/høyt trykk

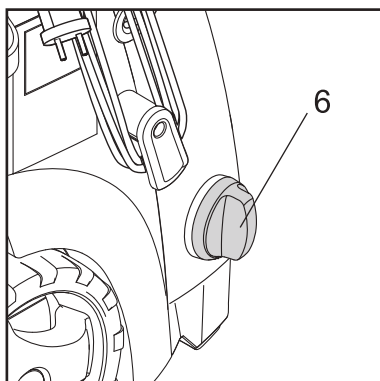
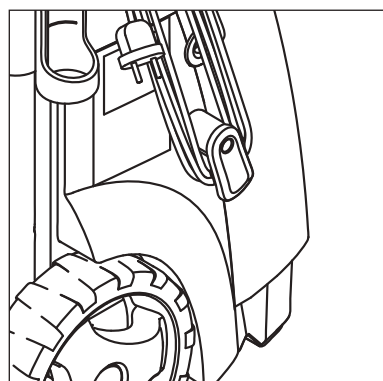
Vidvinkel/høyt trykk

Turbohammer/høyt trykk

## 5.9 Regulering av trykk vannmengde (kun modeller med knapp for regulering av trykk og vannvolum)



1. Fyll beholderen med rengjøringsmiddel.
2. Påfør rengjøringsmiddel nedenfra og oppover.
3. La rengjøringsmiddelet virke i den tiden det står på emballasjen til rengjøringsmiddelet, og skyll med rent vann eller bruk en børste.



Driftstrykk og vannmengde kan reguleres på maskinen ved å vri på reguleringsknappen for trykk og vannmengde (6).



# 6 Bruksområder og arbeidsmetoder

EN

DA

**NO**

SV

FI

DE

FR

NL

IT

ES

PT

EL

TR

CS

HU

PL

## 6.1 Generelt

En effektiv høytrykksrengjøring oppnås ved å følge noen få retningslinjer kombinert med den erfaringen du selv skaffer deg med bestemte rengjøringsoppgaver. Høytrykksvaskeren kan bli enda mer effektiv hvis du velger riktig tilbehør og rengjøringsmiddel. Nedenfor følger noen grunnleggende opplysninger om rengjøring.

### 6.1.1 Rengjøringsmiddel og skum

Skum eller rengjøringsmiddel skal påføres tørre flater slik at det kjemiske produktet kommer i direkte kontakt med smusset. Rengjøringsmidler skal påføres nedenfra og opp, for eksempel på et bilkarosseri, for å unngå "superrene" områder hvor rengjøringsmiddelet samler seg i større konsentrasjoner og strømmer nedover. La rengjøringsmiddelet virke i flere minutter før du skyller det av, men la det aldri tørke på flaten som blir rengjort. **Merk:** Det er viktig at rengjøringsmidlene ikke tørker inn. Det kan ødelegge flaten som skal rengjøres.

### 6.1.2 Mekanisk effekt

For å få bukt med gjenstridige lag med smuss kan det være påkrevet med ekstra mekanisk effekt. Spesielle vaskebørster har denne tilleggs effekten som fjerner gjenstridig smuss, trafikkfilm og lignende.

EN

DA

NO

SV

FI

DE

FR

NL

IT

ES

PT

EL

TR

CS

HU

PL

# 7 Etter at du har brukt høytrykksvaskeren

## 7.1 Oppbevaring av høytrykksvaskeren



Maskinen må oppbevares frostfritt!

Pumpe, slange og tilbehør skal alltid tømmes for vann før maskinen settes til oppbevaring, slik:

1. Stopp maskinen (sett bryteren (2) på "O") og koble fra vannslange og tilbehør.
2. Start maskinen på nytt og aktiver utløsergrepet. La maskinen gå til det ikke kommer mer vann ut at spylehåndtaket.
3. Stopp maskinen og trekk ut støpselet. Rull opp strømledningen rundt krokene som sitter på siden av maskinen.
4. Skill spylehåndtaket og lansen fra hverandre.

## 5. Modeller uten slangetrommel:

Koble fra høytrykksslengen, rull den sammen og heng den på oppbevaringsplassen sin.

## Modeller med slangetrommel:

Rull høytrykksslengen opp på slangetrommelen.

6. Plasser spylehåndtak, dyser og annet tilbehør i holderne på maskinen.

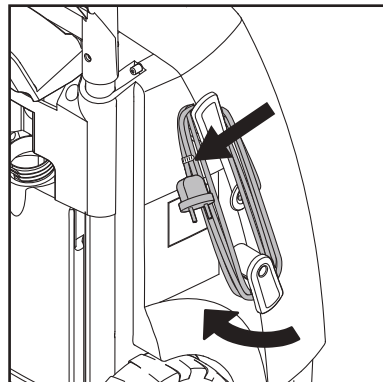
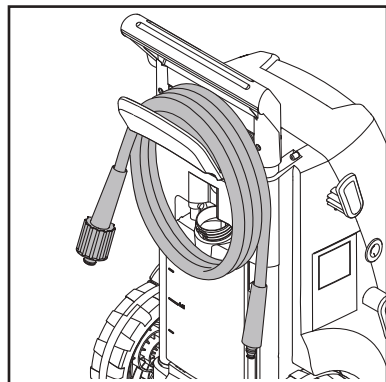
Hvis maskinen skulle fryse ved et uhell, må du la den tine og kontrollere om den er skadet.

**START ALDRI OPP EN FROSSEN MASKIN.**

**Frostskader dekkes ikke av garantien!**

## 7.2 Opprulling av strømledning og høytrykksslange

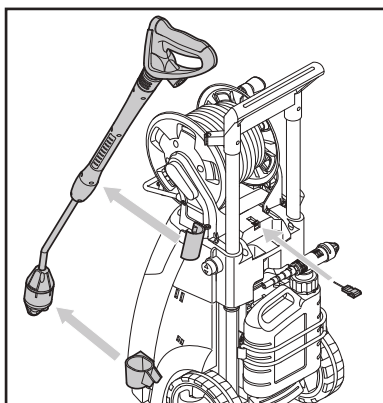
For å unngå ulykker skal strømledningen og høytrykksslengen alltid ruller omhyggelig opp.



1. Rull opp strømledningen på krokene som er beregnet for formålet. Indbygget clips for bedre fastgørelse af ledningen. Den nederste krog kan drejes for at frigøre ledningen.

2. Høytrykksvaskeren finnes i to modeller: A) med krok for oppbevaring av høytrykksslange (13) – B) med slangetrommel (12).

## 7.3 Oppbevaring av tilbehør



Standardtilbehøret (spylehåndtak, spylelans (A) og dyserenssenålen) kan oppbevares på høytrykksvaskeren.

# 8 Vedlikehold

EN

DA

NO

SV

FI

DE

FR

NL

IT

ES

PT

EL

TR

CS

HU

PL



**ADVARSEL!** Trekk alltid støpselet ut av stikkontakten før du vedlikeholder eller rengjør høytrykksvaskeren.

Ved å følge rådene nedenfor er høytrykksvaskeren sikret en lang og problemfri levetid:

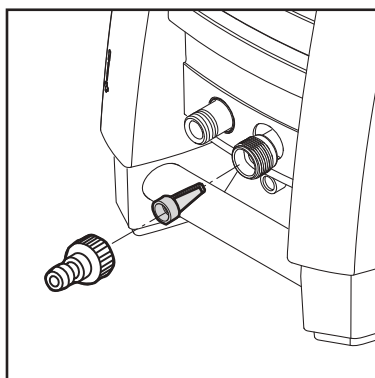
- Skyll gjennom vannslangen, høytrykksslangen,

spylelansen og tilbehøret før montering.

- Rengjør koblingene for støv og sand.
- Rens dysene.

Eventuelle reparasjoner skal alltid utføres på et autorisert verksted og med originale reservedeler.

## 8.1 Rensing av vanntilgangsfilter

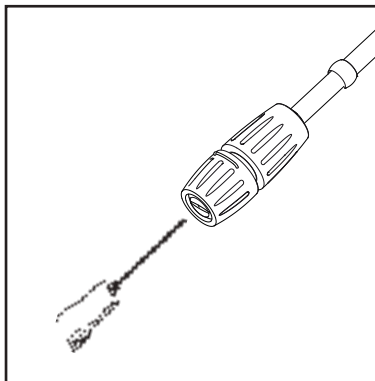


Rens vanntilgangsfilteret en gang i måneden eller oftere ved behov. Løsne filteret forsiktig med en tang og rens det. Kontroller at filteret er intakt før du setter det på plass igjen.

Innløpsfilteret må alltid monteres på vanninntaksrøret for å filtrere vekk ulike smuspartikler, da disse vil skade pumpeventilene.

**OBS:** Garantien bortfaller hvis filteret ikke er montert.

## 8.2 Rengjøring av dyse



En tett dyse medfører for høyt pumpetrykk. Dette krever umiddelbar rensing av dysen.

1. Stopp maskinen og koble fra dysen.
2. Rens dysen. **VIKTIG:** Dyserensenålen (11) må bare brukes når dysen er frakoblet!
3. Spyl gjennom dysen bakfra med vann.

## 8.3 Rengjøring av ventilasjonsåpninger

Sørg for å holde maskinen ren slik at kjøleluften kan passere fritt gjennom ventilasjonsåpningene i maskinen.

## 8.4 Smøring av koblinger

For å sikre enkel tilkobling og hindre at o-ringene tørker ut, må koblingene smøres regelmessig.

EN

## 9 Feilsøking

DA

For å unngå unødig ergrelse bør du kontrollere følgende før du kontakter Nilfisks serviceorganisasjon:

NO

Symptom	Årsak	Tiltak
<b>Maskinen vil ikke starte</b>	Støpselet er ikke satt i Defekt stikkontakt Sikringen har gått Defekt skjøteledning	Sett støpselet i stikkontakten. Forsøk en annen stikkontakt. Skift sikring. Slå av andre maskiner. Forsøk uten skjøteledning.
<b>Vekslende trykk</b>	Pumpen suger luft  Skitne, utslitte eller fastkjørte ventiler Utslitte pumpetettinger	Kontroller at slanger og koblinger er lufttette. Rengjør og skift eller snakk med din lokale Nilfisk forhandler. Rengjør og skift eller snakk med din lokale Nilfisk forhandler.
<b>Motoren brummer</b>	Lav spenning eller lav temperatur	Aktiver utløsergrepet på spylehåndtaket.
<b>Maskinen stopper</b>	Sikringen har gått Feil nettspenning  Termisk vern aktivert Delvis blokkert dyse	Skift sikring. Slå av andre maskiner. Kontroller at nettspenning tilsvarer spesifikasjonene på typeskiltet. La høytrykksvaskeren avkjøle i 5 minutter. Rens dysen (se avsnitt 7.2).
<b>Sikringen går</b>	For liten sikring	Bytt til en sikring som er kraftigere enn maskinens strømforbruk. Du kan forsøke uten skjøteledning.
<b>Ujevnt pumpetrykk</b>	Luft i tilgangsslangen/ pumpen For liten vanntilførsel  Delvis blokkert dyse Tett vannfilter Fastklemt slange	La maskinen gå med åpent utløsergrep inntil normalt driftstrykk er tilbake. Kontroller at vanntilførselen stemmer overens med vanntilførsel nødvendige spesifikasjoner (se typeskiltet). <b>NB!</b> Unngå å bruke lange, tynne slanger (min. 1/2"). Rens dysen (se avsnitt 7.2). Rens filteret (se avsnitt 7.1). Rett ut slangen.
<b>Maskinen starter og stopper av seg selv</b>	Lekkasje i spylehåndtaket	Kontakt ditt nærmeste Nilfisk service-senter. Skift sete / ball / O-ring i ventilen i spylehåndtaket.
<b>Maskinen starter, men det kommer ikke noe vann</b>	Pumpe/slanger eller tilbehør har frosset Ingen vanntilførsel Tett vannfilter Tett dyse	Vent til pumpen/slangen eller tilbehøret tiner. Koble til vannet. Rens filteret (se avsnitt 7.1). Rens dysen (se avsnitt 7.2).
<b>Pumpetrykket faller</b>	Reguleringsknappen for trykk / vannmengde er ikke riktig innstilt	Still knappen på riktig driftstrykk.

Hvis det skulle oppstå andre problemer enn de som er nevnt ovenfor, må du kontakte din lokale Nilfisk forhandler.

SV

FI

DE

FR

NL

IT

ES

PT

EL

TR

CS

HU

PL

# 10 Ytterligere informasjon

## 10.1 Garantivilkår

Kontakt forhandleren ved behov for service og vedlikehold.

# 11 Tekniske data

Type		MC2C-60/520 XT US-CAN	MC2C-80/520 T	MC2C-120/520 T	MC2C-120/520 XT	MC2C-140/610 XT	MC2C-140/610 P	MC2C-150/650	MC2C-140/650 (EXPT)	MC2C-150/650 XT
Trykk	bar/MPa	60/6,0	80/8,0	120/12	120/12	140/14	140/14	150/15	140/14	150/15
Rengjørings-effekt	kg/kraft	2	2	2,2	2,2	2,5	2,5	2,9	2,9	2,9
Vannmengde	Qmax/ QIEC l/min	2,3/2,2 gallon	8,7/8,2	8,7/7,8	8,7/7,8	10,2/9,0	10,2/9,0	10,8/9,5	10,8/9,5	10,8/9,5
Spenning/fase/ frekvens/strøm	V/-/Hz/A	120/1/ 60/15	115-127/1/ 60/15	230/1/ 50/10	230/1/ 50/10	230/1/ 50/12,6	230/1/ 50/12,6	230/1/ 50/14,5	220/1/ 60/14,5	230/1/ 50/14,5
Maksimums-temperatur, vann	°C	60	60	60	60	60	60	60	60	60
Ledning	m	10	5	5	5	5	5	5	5	5
Pumpe	omdr./ min.	3400	3400	2800	2800	2800	2800	2800	3400	2800
Dysetørrelse	1/8"	0,475	0,475	0,340	0,340	0,340	0,370	0,340	0,350	0,340
Lydtrykknivå LpA	dB(A)	72 ±2	72 ±2	72 ±2	72 ±2	72 ±2	72 ±2	72 ±2	72 ±2	72 ±2
Lydeffektnivå LwA	dB(A)	89	86	86	86	86	86	88	88	88
Vibrasjon iht. ISO 5349-1	m/s <sup>2</sup>	< 2,5	< 2,5	< 2,5	< 2,5	< 2,5	< 2,5	< 2,5	< 2,5	< 2,5
Vekt	kg	28,6	27,3	27,3	28,1	28,1	28,1	26,3	26,3	28,1

EN

DA

NO

SV

FI

DE

FR

NL

IT

ES

PT

EL

TR

CS

HU

PL

EN

# 12 EF/EU samsvarserklæring

DA

Vi,

NO

Nilfisk A/S  
Marmorvej 8  
2100 Copenhagen Ø  
DANMARK

SV

erklærer herved under vårt eneansvar at

FI

Produkter: HPW – Professional – Mobile – EI – CW  
Beskrivelse: 230 V, 50 Hz, IPX5

DE

Type: MC2C-120/520 T, -120/520 XT, -140/610 XT, -150/650 XT, -140/650 EXPT

er i samsvar med følgende standarder:

FR

EN 60335-1:2012+A11:2014+A13:2017+A1:2019+A14:2019+A2:2019+A15:2021+A16:2023  
EN 60335-2-79:2012

NL

EN 55014-1:2021

EN 55014-2:2021

IT

EN 61000-3-2:2019+A1:2021

EN 61000-3-11:2019

EN 63000:2018

ES

I henhold til EU-harmoniseringslovgivningen:

PT

2006/42/EF

2014/30/EU

2011/65/EU

EL

2000/14/EF – samsvarsvurderingsprosedyre i henhold til vedlegg V.  
– målt lydeffektnivå: 86-88 dB(A); garantert lydeffektnivå: 89-91 dB(A)

TR

Broendby, 2024-01-02

*Wei-lua (Warner) Guo*

CS

Warner Guo, VP R&D, Head of Competence Center APAC • R&D

HU

PL

# Innehåll

<b>1</b>	<b>Introduktion</b> .....	<b>64</b>
	1.1 Symboler som används för att markera instruktioner .....	64
<b>2</b>	<b>Säkerhetsföreskrifter och handhavande</b> .....	<b>64</b>
<b>3</b>	<b>Beskrivning</b> .....	<b>71</b>
	3.1 Användning.....	71
	3.2 Maskindelar och modellöversikt.....	71
<b>4</b>	<b>Innan du börjar använda högtryckstvätten</b> .....	<b>72</b>
	4.1 Montering av hållare för spolröret.....	72
	4.2 Montering av slanghängaren (modeller utan slangvinda).....	72
	4.3 Montering av slangvinda handtag (modeller med slangvinda) .....	72
	4.4 Montering av snabbkoppling.....	73
	4.5 Montering av högtrycksslang på spolhandtaget .....	73
<b>5</b>	<b>Använda högtryckstvätten</b> .....	<b>73</b>
	5.1 Anslutning av högtrycksslang .....	73
	5.2 Montering av spolrör samt munstycken .....	74
	5.3 Vattenanslutning .....	74
	5.4 Teleskophandtag .....	74
	5.5 Starta och stänga av maskinen (när den är ansluten till en vattenförsörjning).....	75
	5.6 Starta maskinen (när den är ansluten till öppna behållare (sugläge)).....	75
	5.7 Tryckreglering .....	75
	5.8 Användning av rengöringsmedel .....	76
	5.9 Reglering för tryck/vattenvolym (endast för maskiner med knapp för reglering av tryck och vattenvolym).....	76
<b>6</b>	<b>Användningsområden och arbetsmetoder</b> .....	<b>77</b>
	6.1 Allmänt.....	77
<b>7</b>	<b>När du har använt högtryckstvätten</b> .....	<b>78</b>
	7.1 Förvara högtrycks-tvätten.....	78
	7.2 Vira upp elektrisk kabel och högtrycksslang.....	78
	7.3 Förvaring av tillbehör .....	79
<b>8</b>	<b>Underhåll</b> .....	<b>79</b>
	8.1 Rengöring av vattenin-loppsfilter .....	79
	8.2 Rengöring av munstycke .....	80
	8.3 Rengöring av maskinens öppningar .....	80
	8.4 Smörja kopplingarna.....	80
<b>9</b>	<b>Felsökning</b> .....	<b>81</b>
<b>10</b>	<b>Mer information</b> .....	<b>82</b>
	10.1 Garantivillkor.....	82
<b>11</b>	<b>Teknisk data</b> .....	<b>82</b>
<b>12</b>	<b>Deklaration</b> .....	<b>83</b>

EN

DA

NO

SV

FI

DE

FR

NL

IT

ES

PT

EL

TR

CS

HU

PL

# 1 Introduktion

EN

## 1.1 Symboler som används för att markera instruktioner

DA

Alla bildsymboler som finns på högtryckstvätten och dess komponenter återfinns och beskrivs i denna bruksanvisning.

NO



Säkerhetsföreskrifter som markeras med denna symbol måste följas för att förhindra personskador och skador på egendom.

SV



Varning där det finns risk för maskinskada eller skador på enskilda maskindelar.

FI



Denna symbol anger tips och instruktioner som förenklar arbetet och garanterar säker användning av högtryckstvätten.

DE

## 2 Säkerhetsföreskrifter och handhavande

FR



Läs igenom bruksanvisningen noga innan du startar högtryckstvätten för första gången. Spara instruktionerna för senare bruk.

NL



### Varning!

IT

- Inandning av aerosoler kan vara hälsovådligt. Använd i förekommande fall utrustning för att undvika eller minska aerosolbildning, t.ex. ett skydd som täcker munstycket. Använd en andningsmask av klass FFP 2 eller högre för skydd mot aerosoler.
- Det höga tryck som maskinen skapar och strömanlutningarna är de farligaste punkterna.
- Maskinerna får inte användas av barn eller utbildad personal. Barn bör hållas under uppsikt för att säkerställa att de inte leker med maskinen.
- Använd inte maskinen i närheten av människor såvida de inte bär skyddskläder.
- Innan maskinen startas ska en noggrann kontroll utföras för att säkerställa dess skick. Om problem påträffas får inte maskinen startas, kontakta omgående din Nilfiskåterförsäljare. El-kabelns hölje ska vara helt och får inte uppvisa sprickor. En skadad el-kabel får endast ersättas av en behörig Nilfisk-återförsäljare/verkstad.
- Stickkontakten ska alltid tas bort från vägguttaget om maskinen ska rengöras, underhållas eller vid byte av komponent/ändrad maskinfunktion.

ES

PT

EL

TR

CS

HU

PL



- Gällande säkerhetsbestämmelser ska alltid följas, t.ex. från arbetarskyddsstyrelsen, socialförsäkringslagstiftning, arbetarskydd och eller motsvarande organisationer.

EN

DA

NO



### **Tillbehör och reservdelar**

För att garantera maskinens säkerhet får endast originalreservdelar från eller godkända av Nilfisk användas.

SV

- Högtrycksslangar, anslutningar och kopplingar är viktiga för maskinens säkerhet. Använd endast slangar, anslutningar och kopplingar som rekommenderas av Nilfisk.

FI

DE

FR



### **Fysiska-, motoriska- eller psykiska förhållanden**

- Denna maskin är inte avsedd för användning av personer (inklusive barn) med reducerad fysisk, sensorisk eller mental förmåga, eller bristande erfarenhet och kunskap. Om maskinerna ska användas av personer med reducerad fysisk, sensorisk eller mental förmåga, eller med bristande erfarenhet och kunskap, ska detta ske under uppsikt eller ha getts instruktioner om hur maskinen används på ett säkert sätt och känner till riskerna.

NL

IT

ES

PT

EL

TR



### **Tillämpningar**

Den här maskinen har utvecklats för hushållsbruk och professionellt bruk, till exempel:

- hushållsbruk: bilar, motorcyklar, båtar, husvagnar, släpvagnar, uteplatser, uppfarter, utemöbler, gräsklippare.
- professionellt bruk: rengöring av ytor, bilar, lastbilar, båtar, verktyg och utrustning.

CS

HU

PL

All annan användning anses vara felaktig användning. Nilfisk tar inget ansvar för skador som uppstår till följd av sådan användning. Risken för sådan användning bärs enbart av användaren. Korrekt användning omfattar även korrekt drift, service och reparationer enligt vad som anges i denna instruktionshandbok.

EN

DA

NO

SV

FI

DE

FR

NL

IT

ES

PT

EL

TR

CS

HU

PL

## Skyddskläder och -utrustning

Bär alltid skyddskläder när du använder maskinen.

- Använd skor med halksäker sula.
- Bär skyddsglasögon, hörselskydd och skyddskläder vid all användning.



## Transport av högtryckstvätten

- När maskinen transporteras i eller på ett fordon ska den alltid vara fastsurrad så den inte välter eller glider, t.ex. med spännband.
- Nilfisk rekommenderar att maskinen vid all transport placeras horisontellt med baksidan neråt.



## Rengöringsmedel

- Denna apparat har utformats för användning med rengöringsmedel som tillhandahålls eller rekommenderas av Nilfisk. Användning av andra rengöringsmedel eller kemikalier kan försämra maskinens funktion.



## Före idrifttagning Kontrollera maskinen

- Använd inte maskinen om en el-kabel eller viktiga maskindelar är skadade, t.ex. säkerhetsutrustning, högtrycksslangar, spolhandtag och spolrör/tillbehör.
- Spolhandtagets avtryckare ska vara lätt att trycka in och ska gå tillbaka automatiskt när man släpper den.
- Se till att högtrycksslang och spolrör hålls i bra skick (rena, lättrorliga) och korrekt monterade.

## Elektrisk anslutning



### Varning!

Minimera risken för el-stötar:

- Maskinens spänning och frekvens (se märkplåt) ska stämma med vägguttagets spänning och frekvens.
- Maskinen får endast anslutas till ett vägguttag som installerats av en behörig elektriker och som överensstämmer med IEC 60364-1.

- Vi rekommenderar att elförsörjningen till denna maskin inkluderar antingen en jordfelsbrytare som avbryter strömförsörjningen om läckströmmen till jord överstiger 30 mA i 30 ms.
- Använd startmotor/tröga säkringar med C eller D-egenskaper i enlighet med IEC/EN 60898-1 / IEC 947-2 eller motsvarande icke IEC-standard.
- På grund av maskinens höga strömförbrukning krävs en lämplig huvudsäkring.
- Bristfälliga förlängningskablar kan vara farliga. Om man använder förlängningskabel ska denna vara avsedd för utomhusbruk och kontakterna ska hållas torra och inte ligga direkt på marken.
- Om man behöver använda förlängningskabel rekommenderar Nilfisk att man använder en kabeltrumma som håller uttaget minst 60 mm över marken.
- Om el-kabeln är skadad måste den bytas ut av Nilfisks serviceverkstad eller person med motsvarande behörighet för att undvika fara.
- Ved tilkobling af højtryksrenseren til den elektriske strømforsyning er den maks. tilladte impedans  $0,4023 \Omega$  ( $Z_{max}$ ). Kontakt dit elselskab for at sikre dig, at udstyret kun tilsluttes en strømforsyning med denne impedans eller mindre.



### Vattenanslutning

- Denna högtrycks-tvätt får endast anslutas till vattenkran med vattenkvalitet som motsvarar dricksvatten, efter montering av godkänt återströmningsskydd typ BA – i enlighet med EN 60335-2-79.
- Återströmningsskyddet kan beställas på artikelnummer 106411177.
- Så snart dricksvattnet flödat genom backventilen betraktas vattnet inte längre som dricksvatten.
- Drift med sugfunktion (från t.ex. regnvattentunna) kan genomföras utan backventil – se ”Anslutning till icke trycksatt vattenledning”.

EN

DA

NO

SV

FI

DE

FR

NL

IT

ES

PT

EL

TR

CS

HU

PL

EN

DA

NO

SV

FI

DE

FR

NL

IT

ES

PT

EL

TR

CS

HU

PL

- Maskinen kan anslutas till en vattenledning med maximalt matarvattentryck på 1 MPa/10 bar och med max vattentemperatur på 60 °C.

## Säkerhetsutrustning

### Spärrenhet på spolhandtaget:

- Spolhandtaget är utrustat med en spärr. När spärrhaken aktiveras kan spolhandtaget inte användas.

### Termisk sensor:

- Självåterställande  
En termisk sensor skyddar motorn mot överbelastning. Maskinen startar om efter några minuter när den termiska sensorn har svalnat.
- Ej självåterställande (gäller endast MC2C US-modellen)  
En manuell återställning krävs. En manuell återställning innebär att enheten måste kopplas bort från elnätet.



### Varning!

För att undvika att faror uppstår till följd av oavsiktlig återställning efter en automatisk avstängning på grund av värmeutveckling får den här enheten inte vara ansluten via en extern omkopplingsenhet, till exempel en timer eller ett tidur. Den får inte heller vara ansluten till en strömkrets som regelbundet aktiveras och inaktiveras av anläggningen.

### Trycksäkerhetsanordning:

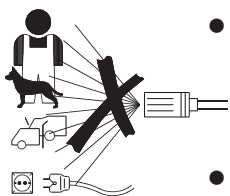
- En inbyggd hydraulisk säkerhetsventil skyddar systemet från att överbelastas.

## Under drift



### Varning!

- Det är inte tillåtet att högtryckstväta ytor som innehåller asbest.
- Risk för explosion – Spruta inte lättantändliga vätskor.
- Sug aldrig in vätska som innehåller lösningsmedel (t.ex. bensin, eldningsolja, thinner eller aceton). Dessa ämnen kan orsaka skador på/i maskinen. Sprutdimman är mycket lättantändlig, explosiv och giftig.



- Rikta aldrig sprutstrålen mot dig själv eller någon annan, inte ens för att rengöra kläder eller skor – **risk för skador.**
- Rikta aldrig sprutstrålen mot husdjur eller andra djur.
- Rikta aldrig sprutstrålen mot elektrisk utrustning eller mot själva maskinen – **risk för kortslutning.**
- Under drift kan spolröret påverkas av slagkrafter på upp till 27,4 N och plötslig kraftökning när spolhandtags avtryckare trycks in.
- Denna högtryckstvätt får inte användas i temperaturer under 0 °C.
- Starta aldrig en nedfrost maskin. Frostskador täcks inte av garantin!
- Se alltid till att stå stadigt och säkert.
- Maskinen ska stå upp när den är igång.
- Om du lämnar maskinen eller inte använder den på 5 minuter, måste du stänga av den med start/ stopp-knappen "O" (1).



### Efter slutfört arbete

#### **WARNING!**

- Stäng alltid av maskinen och koppla bort den från vägguttaget efter avslutat arbete eller om maskinen lämnas utan uppsikt.
- Koppla från vattentillförseln mellan maskin och vattenledning.
- Töm alltid pump, slang och tillbehör från vatten efter avslutat arbete och innan maskinen ställs undan.



### Underhåll och reparation

#### **WARNING!**

- Koppla alltid bort stickkontakten från vägguttaget före underhåll, rengöring och reparation.
- Alla reparationer ska utföras av behörig Nilfisk-serviceworkstad och med originalreservdelar från Nilfisk.
- Utför endast det underhåll som beskrivs i bruksanvisningen.

EN

DA

NO

SV

FI

DE

FR

NL

IT

ES

PT

EL

TR

CS

HU

PL

EN

DA

NO

SV

FI

DE

FR

NL

IT

ES

PT

EL

TR

CS

HU

PL

- Om maskinen inte startar eller om den stannar, pulserar, trycket varierar, motorn brummar, säkringen går eller inget vatten kommer ut, se Felsökningstabellen i bruksanvisningen. Om andra problem uppstår, kontakta din lokala Nilfisk-serviceverkstad.
- Låt inte barn rengöra maskinen eller utföra underhåll utan tillsyn.



### Korrekt bortskaffande av denna produkt:

Den här märkningen innebär att, inom EU får produkten inte kastas tillsammans med hushållsavfall. För att minska risken för miljöskador eller skador på människors hälsa som orsakas av okontrollerad avfallshantering ska produkten återvinnas på avsett sätt, för att stödja en hållbar återanvändning av resurserna. Uttjänta produkter ska lämnas in på avsedda återvinningsstationer och angivna insamlingsplatser, alternativt kan man kontakta återförsäljaren där man har köpt produkten. Återförsäljaren kan ta hand om produkten och ombesörja miljövänlig återvinning.

# 3 Beskrivning

EN

DA

NO

**SV**

FI

DE

FR

NL

IT

ES

PT

EL

TR

CS

HU

PL

## 3.1 Användning

Denna högtryckstvätt har utvecklats för regelbunden, halvprofessionell rengöring:

- *Yrkesmässiga arbeten, fordonsrengöring, båtar, husvagnar och mindre rengöringsjobb inom byggnation och konstruktion*

Avsnitt 5 beskriver hur du använder högtryckstvätten för olika rengöringsuppgifter.

Använd högtryckstvätten bara för sådana ändamål som beskrivs i denna bruksanvisning.

Säkerhetsföreskrifterna måste följas för att förhindra skador på maskinen, rengöringsytan eller allvarliga personskador.

## 3.2 Maskindelar och modell-översikt



Se illustrationen i slutet av bruksanvisningen.

- 1 Start/stopp-knapp
- 2 Vatteninlopp (med filter)
- 3 Högtrycksanslutning (endast modeller utan slangrulle)
- 4 Högtrycksslang
- 5 Elkabel
- 6 Reglering för tryck/vattenvolum (ej standard)
- 7 Ergo 2000 spolhandtag med spärr (7a)
- 8 Flexopower Plus spolror
- 9 4-i-1 spolrör (T- och XT-modeller)
- 10 Avtagbar behållare för rengöringsmedel
- 11 Rengöringsmunstycke

- 12 Slangvinda
- 13 Slanghängare (modeller utan slangvinda)
- 14 Typskylt
- 15 Knapp för teleskophandtag
- 16 Handtag på vagn (teleskophandtag)
- 17 Vridbar elkabelkrok

**Specifikationer:** Se typskylten (14) på maskinen.

Vi förbehåller oss rätten att ändra specifikationerna.

EN

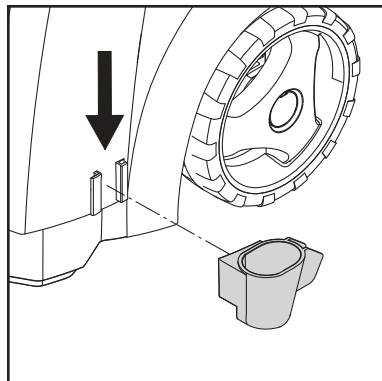
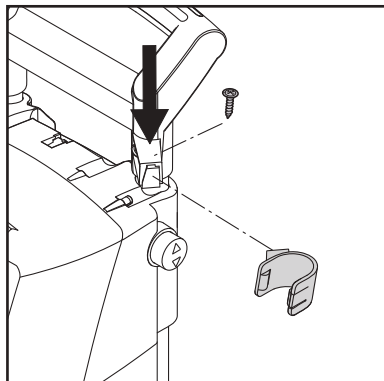
## 4 Innan du börjar använda högtryckstvätten

DA

NO

### 4.1 Montering av hållare för spolröret

SV



Montera hållarna för spolrör på maskinen.

FI

DE

FR

NL

IT

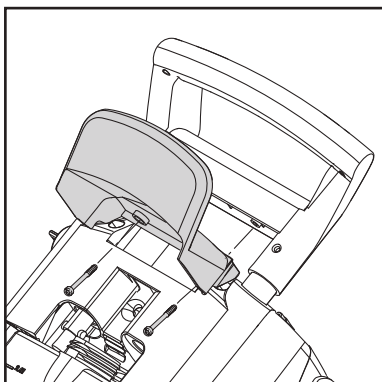
### 4.2 Montering av slanghängaren (modeller utan slangvinda)

ES

PT

EL

TR



Montera slanghängaren (13) på maskinen (2 skruvar).

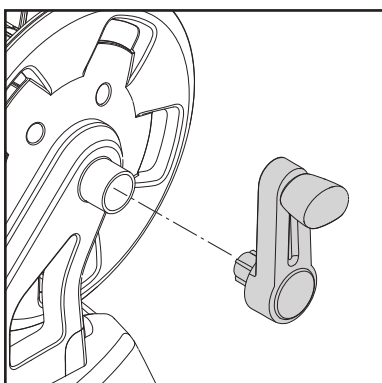
**Obs!** slanghängaren kan monteras både på fram- och baksidan. Framsidan bör användas om produkten ska hängas på en särskild väggkrok för förvaring på vägg.

CS

### 4.3 Montering av slangvinda handtag (modeller med slangvinda)

HU

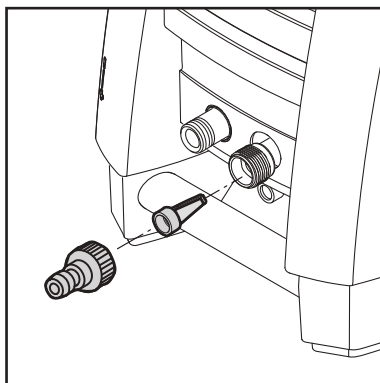
PL



Sätt fast slangvindans handtag på vagnhandtaget (inga skruvar).



#### 4.4 Montering av snabbkoppling



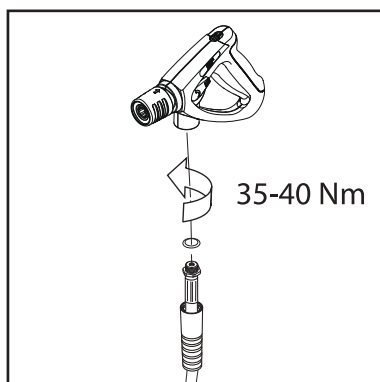
1. Skruva åt snabbkopplingen på vatteninloppet (2).

**Obs!** Inloppsfilteret ska alltid vara monterat i vatteninloppet för att kunna filtrera bort orenheter som kan skada pumpventilerna.



**Varning:** Garantin gäller inte om inte filtret har monterats.

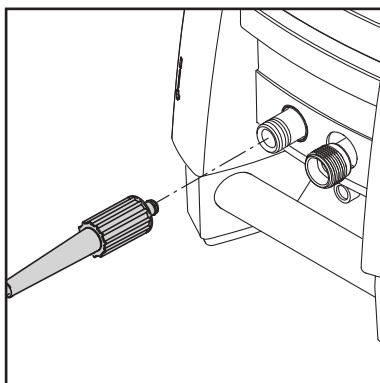
#### 4.5 Montering av högtrycksslang på spolhandtaget



Montera fast högtrycksslangen (4) på spolhandtaget (7).

## 5 Använda högtryckstvätten

#### 5.1 Anslutning av högtrycksslang



**Modeller utan slangvinda:** Anslut högtrycksslangen (4) till anslutningen för högtrycksslang (3).

Använd endast förlängnings-slangar på max 7 m.

**Modeller med slangvinda:** Dra ut högtrycksslangen helt.

EN

DA

NO

SV

FI

DE

FR

NL

IT

ES

PT

EL

TR

CS

HU

PL

EN

DA

NO

SV

FI

DE

FR

NL

IT

ES

PT

EL

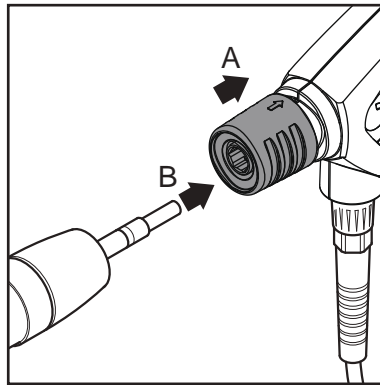
TR

CS

HU

PL

## 5.2 Montering av spolrör samt munstycket



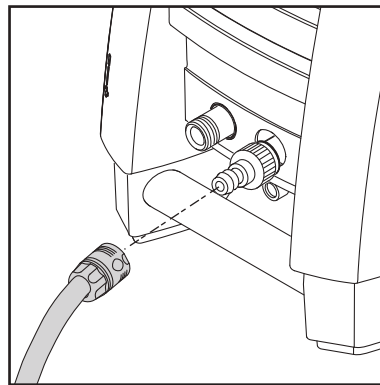
### OBSERVERA!

Rengör alltid nippeln från eventuella smutspartiklar innan spolröret ansluts till spolhandtaget.

1. Dra spolhandtagets blå snabbkopplingsfäste (A) bakåt.
2. Stick in spolrörets nippel (B) i snabbkopplingen och släpp den.
3. Dra spolröret (eller annat tillbehör) framåt för att säkerställa att det är fast förbundet med spolhandtaget.

## 5.3 Vattenanslutning

En vanlig 1/2" trädgårdsslang på **minst 10 m** och **högst 25 m** är lämplig.



**Obs!** Anslutning till det allmänna nätet enligt bestämmelser.

### VIKTIGT! Använd bara vatten som inte är förorenat.

Om det finns risk för flytsand i inloppsvattnet (t.ex. från egen vattenkälla) måste ett extra filter monteras.

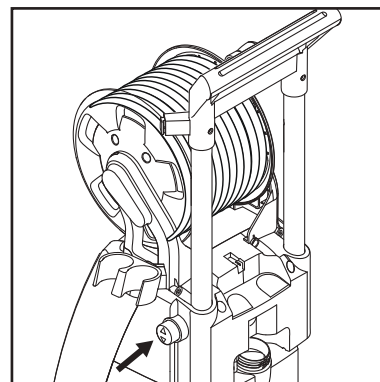
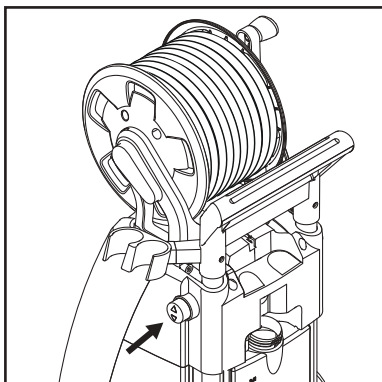
1. Låt vattnet rinna genom vattenslangen innan du ansluter den till maskinen för att förhindra att sand och smuts kommer in i maskinen.



**Obs!** Kontrollera att filtret har monterats i vatteninloppsröret och att det inte är tilltäppt.

2. Anslut vattenslangen till vattenförsörjningen med hjälp av snabbanslutningen (inloppsvatten, maxtryck: 10 bar, maxtemperatur: 60 °C).
3. Sätt på vattnet.

## 5.4 Teleskophandtag




Maskinen har teleskophandtag. För att höja eller sänka handtaget, tryck in knappen (15) och handtaget kan röras upp eller ned. Handtaget sitter korrekt när man hör ett klick.

### 5.5 Starta och stänga av maskinen (när den är ansluten till en vattenförsörjning)



Spolröret påverkas av en rekylkraft under drift – håll därför i det med båda händerna.

#### VIKTIGT: Rikta munstycket mot marken.

1. Kontrollera att maskinen står lodrätt.  
**Obs!** Placera inte maskinen i högt gräs!
2. Lossa spärren.
3. Tryck in spolhandtagets avtryckare och låt vattnet köra igenom tills all luft tömms ut från högtrycksslangen.
4. Vrid start/stopp-knappen (1) till position .
5. Tryck in avtryckaren på spolhandtaget.

Justera alltid avståndet och därmed munstyckets tryck mot ytan som skall rengöras.

Täck inte över maskinen medan den är i drift.



**Obs!** Om du lämnar maskinen eller inte

använder den på 5 minuter, måste du stänga av den med start/stopp-knappen "O" (1):

1. Vrid start/stopp-knappen (1) till position "O".
2. Dra ut elkontakten ur uttaget.
3. Stäng av vattenförsörjningen och tryck in avtryckaren för att sänka trycket i maskinen.
4. Lås spolhandtaget.

När du släpper avtryckaren på spolhandtaget stannar maskinen automatiskt. Maskinen startar igen när du trycker in spolhandtaget.

### 5.6 Starta maskinen (när den är ansluten till öppna behållare (sugläge))



Tvätten kan t.ex. ta in vatten från en regnvattenbehållare. Slangen för vattenförsörjningen får inte vara för lång, cirka 5 m.

Se till att vattenbehållaren inte är placerad lägre än maskinen.

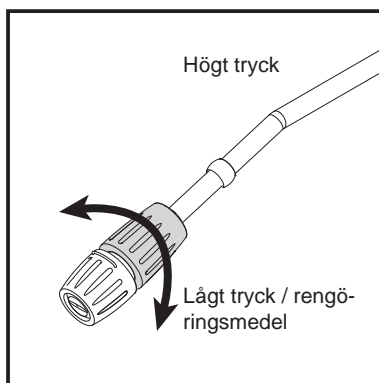
Använd ett externt filter om vattnet innehåller föroreningar.

1. Se till att vattenslangen är helt fylld med vatten innan den ansluts till maskinen. Placera hela slangen i en tank eller hink. För att undvika vattenspill, böj ner slangen i vattnet och anslut

till maskinen med snabbkopplingen. Rulla sedan upp slangen.

2. Demontera spolhandtaget, spolröret och munstycket.
3. Vrid start/stopp-knappen (1) till position  och låt vattnet rinna tills vattenslangen och pumpen har tömts på luft.
4. Vrid start/stopp-knappen (1) till position "O".
5. Montera spolhandtaget och därefter spolröret.
6. Vrid start/stopp-knappen (1) till position .
7. Tryck in avtryckaren på spolhandtaget.

### 5.7 Tryckreglering



#### Flexopower Plus munstycket

Trycket kan regleras på Flexopower Plus munstycket.

EN

DA

NO

SV

FI

DE

FR

NL

IT

ES

PT

EL

TR

CS

HU

PL

EN

DA

NO

SV

FI

DE

FR

NL

IT

ES

PT

EL

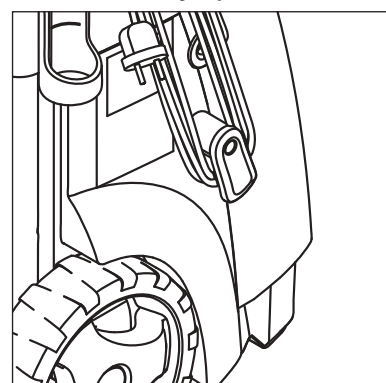
TR

CS

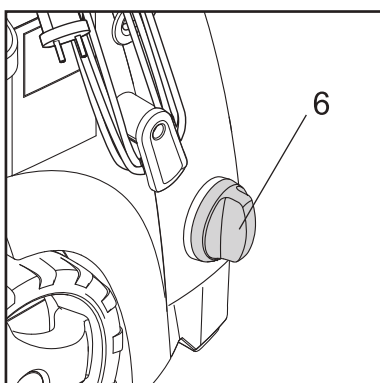
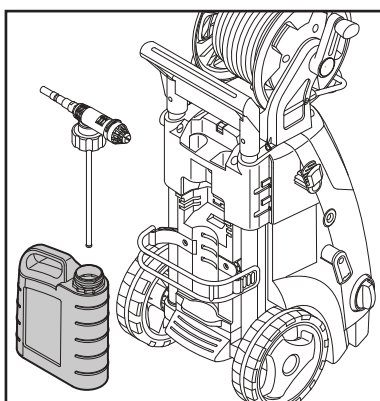
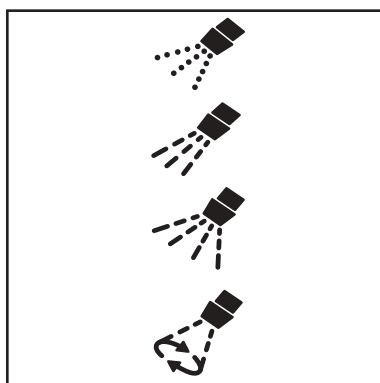
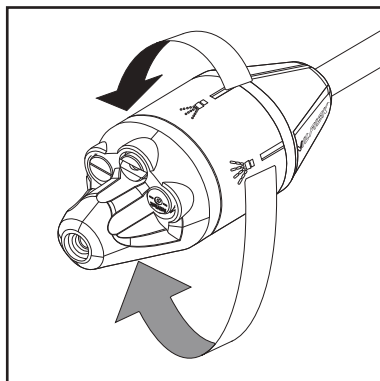
HU

PL

## 5.8 Användning av rengöringsmedel



## 5.9 Reglering för tryck/vattenvolym (endast för maskiner med knapp för reglering av tryck och vattenvolym)



## T- och XT-modeller:

### 4-i-1 spolrör

Trycket kan justeras på 4-i-1 spolröret.

Lågt tryck/rengöringsmedel

Tornado/högt tryck

Vid vinkel/högt tryck

Turbohammer/högt tryck

1. Fyll behållaren med rengöringsmedel.
2. Applicera rengöringsmedlet nerifrån och upp.
3. Låt rengöringsmedlet verka under den tid som anges på rengöringsmedlets förpackning och skölj med rent vatten eller använd en borste.

Arbetsstryck och vattenvolym kan regleras på maskinen genom att vrida på knappen för att justera tryck/vattenvolym (6).

# 6 Användningsområden och arbetsmetoder

## 6.1 Allmänt

Effektiv högtrycksrengöring får du genom att följa några riktlinjer kombinerat med din egen personliga erfarenhet av specifika rengöringsuppgifter. Rätt tillbehör och rengöringsmedel kan öka högtryckstvättens effektivitet. Nedan följer lite grundläggande information om rengöring.

### 6.1.1 Rengöringsmedel och skum

Skum eller rengöringsmedel måste appliceras på torra ytor så att den kemiska produkten kommer i direkt kontakt med smutsen. Rengöringsmedel appliceras nedifrån och upp, t.ex. på en bilkaross, för att undvika "superrena" områden, där större mängder rengöringsmedel samlas och rinner neråt. Låt rengöringsmedlet verka i några minuter före sköljning, men låt det aldrig torka på ytan som rengörs. **Obs!** Det är viktigt att rengöringsmedlen inte torkar. I annat fall kan ytan som rengörs skadas.

### 6.1.2 Mekanisk påverkan

För att ta bort flera lager av smuts kan man behöva använda ytterligare mekanisk påverkan. Speciella tvättborstar ger extra rengöringsmöjlighet för borttagning av hårt sittande smuts, vägfilm och liknande.

EN

DA

NO

SV

FI

DE

FR

NL

IT

ES

PT

EL

TR

CS

HU

PL

EN

# 7 När du har använt högtryckstvätten

DA

NO

SV

FI

DE

FR

NL

IT

ES

PT

EL

TR

CS

HU

PL

## 7.1 Förvara högtrycks-tvätten



### Maskinen skall förvaras frostfritt!

Innan maskinen ställs undan skall pump, slang och tillbehör tömmas på vatten enligt följande:

1. Stäng av maskinen (vridkontakten (1) till läge "O") och demontera vattenslang samt tillbehör.
2. Starta om maskinen och aktivera spolhandtagets avtryckare. Låt maskinen köra tills att det inte kommer mer vatten ut ur spolhandtaget.
3. Stäng av maskinen och drag ur kontakten. Rulla upp elkabeln runt krokarna på sidan av maskinen.

4. Ta loss spolhandtag och spolrör.

#### 5. Modeller utan slangvinda:

Tag av högtrycksslangen, rulla upp den och placera den på slangförvaringen.

#### Modeller med slangvinda:

Rulla upp högtrycksslangen på slangrullen.

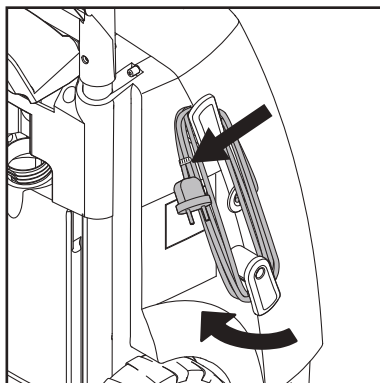
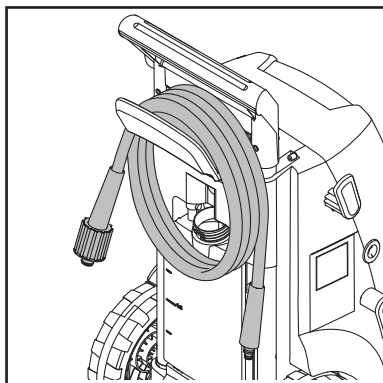
6. Placera spolhandtag, munstycken och andra tillbehör i maskinens hållare.

Om maskinen skulle ha frusit ska man låta den tina upp och därefter kontrollera ev. skador.

### STARTA ALDRIG EN FRUSEN MASKIN.

**Frostskador täcks inte av garantin!**

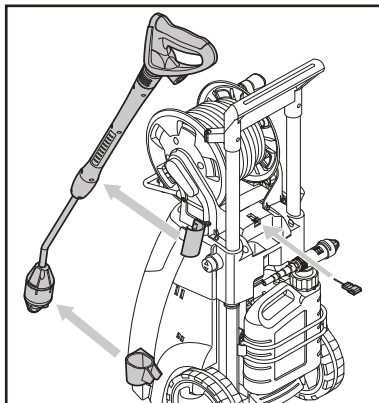
## 7.2 Vira upp elektrisk kabel och högtrycksslang



För att undvika olyckor måste elkabeln och högtrycksslangen alltid viras upp ordentligt.

1. Snurra upp el-kabeln på de avsedda krokarna. Inbyggt clips för bättre fastsättning av elkabeln. Den nedersta kroken kan vridas för att frigöra elkabeln.
2. Högtryckstvätten finns i två modeller: A) med hängare för förvaring av högtrycksslang (13) – B) med en slangvinda (12).

### 7.3 Förvaring av tillbehör



Standardtillbehören (spolhandtag, spolrör (A) och munstyckesrengöraren) kan förvaras på högtryckstvätten.

EN

DA

NO

SV

FI

DE

FR

NL

IT

ES

PT

EL

TR

CS

HU

PL

## 8 Underhåll



**WARNING!** Dra alltid ut elkontakten ur uttaget före underhåll eller rengöring.

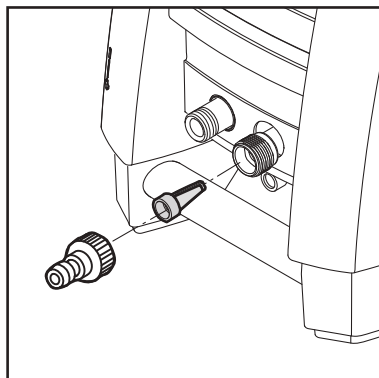
För att maskinen ska fungera länge och problemfritt bör du följa dessa råd:

- Tvätta vattenslangen, högtrycksslangen, spolröret och tillbehören innan de monteras.

- Ta bort sand och smuts från kopplingarna.
- Rengör munstyckena.

Reparation måste alltid utföras i en auktoriserad serviceverkstad med originalreservdelar.

### 8.1 Rengöring av vatteninloppsfilter



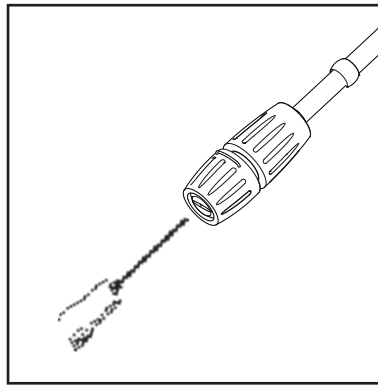
Rengör vatteninloppsfiltret regelbundet en gång i månaden eller oftare beroende på användning. Lossa försiktigt filtret med en tång och rengör det. Kontrollera att det är intakt innan du sätter tillbaka det.

Inloppsfiltret ska alltid vara monterat i vatteninloppet för att kunna filtrera bort orenheter som kan skada pumpventilerna.

**WARNING:** Garantin gäller inte om inte filtret har monterats.

EN

## 8.2 Rengöring av munstycke



Ett tilltäppt munstycke orsakar ett för högt pumptryck. Därför är det nödvändigt att det rengörs omedelbart.

1. Stäng av maskinen och lossa munstycket.

2. Rengör munstycket.

**VIKTIGT:** Rengöringsverktyget (11) får bara användas när munstycket är borttaget!

3. Spola munstycket i motsatt riktning med vatten.

DA

NO

SV

FI

DE

## 8.3 Rengöring av maskinens öppningar

Maskinen bör hållas ren så att avkylande luft kan passera fritt genom maskinens öppningar.

FR

NL

## 8.4 Smörja kopplingarna

För att det ska gå lätt att sammankoppla och för att o-ringarna inte ska torka, bör kopplingarna smörjas regelbundet.

IT

ES

PT

EL

TR

CS

HU

PL



# 9 Felsökning

EN

DA

NO

SV

FI

DE

FR

NL

IT

ES

PT

EL

TR

CS

HU

PL

För att undvika onödigt arbete bör du kontrollera följande innan du kontaktar Nilfisk-serviceverkstaden:

Symptom	Orsak	Rekommenderad åtgärd
<b>Maskinen startar inte</b>	Maskinen är inte inkopplad Fel på säkring Säkringen har gått Fel på förlängningskabel	Koppla in maskinen. Försök med en annan säkring. Byt ut säkringen. Stäng av andra maskiner. Prova utan förlängningskabeln.
<b>Varierande tryck</b>	Pumpen suger upp luft  Ventilerna smutsiga, utslitna eller igentäppta Pumpens packningar är utslitna	Kontrollera att slangar och anslutningar är lufttäta. Rengör och byt ut eller kontakta den lokala Nilfisk-återförsäljaren. Rengör och byt ut eller kontakta den lokala Nilfisk-återförsäljaren.
<b>Motorn brummar</b>	Låg spänning eller låg temperatur	Tryck in avtryckaren på spolhandtaget.
<b>Maskinen stannar</b>	Säkringen har gått Felaktig spänning i nätet  Överhettningsskydd aktiverat Munstycket delvis blockerat	Byt säkring. Stäng av andra maskiner. Kontrollera att spänningen i eluttaget överensstämmer med den som anges på typskylten. Låt högtrycksvätten svalna i 5 minuter. Rengör munstycket (se avsnitt 7.2).
<b>Säkringen går</b>	Säkring för liten	Byt till en säkring som har en högre strömstyrka än maskinen. Du kan prova utan förlängningskabeln.
<b>Maskinen pulserar</b>	Luft i inloppsslang/pump  Otillräcklig försörjning av  Munstycket delvis blockerat Vattenfilter blockerat Slangen tilltrasslad	Låt maskinen gå med avtryckaren öppen tills den återgår till regelbundet arbetstryck. Kontrollera att vattenförsörjningen överensstämmer med vatten specifikationerna (se typskylten). <b>Obs!</b> Undvik att använda långa, tunna slangar (min. 1/2"). Rengör munstycket (se avsnitt 7.2). Rengör filtret (se avsnitt 7.1). Räta ut slangen.
<b>Maskinen startar och stannar ofta av sig själv</b>	Spolhandtaget läcker	Kontakta närmaste Nilfisk-serviceverkstad. Byt säte / boll / O-ring i ventilen på spolhandtaget.
<b>Maskinen startar, men inget vatten kommer ut</b>	Pump/slangar eller tillbehör har frusit Ingen vattenförsörjning Vattenfilter blockerat Munstycke blockerat	Vänta medan pump/slangar eller tillbehör tinar. Koppla på inloppsvattnet. Rengör filtret (se avsnitt 7.1). Rengör munstycket (se avsnitt 7.2).
<b>Pumptrycket faller</b>	Knapp för justering av tryck/vattenvolym är inte korrekt inställd	Justera knappen till korrekt arbetstryck.

Om några andra problem än de som anges ovan inträffar, kontakta din lokala Nilfisk-återförsäljare.

EN

# 10 Mer information

DA

## 10.1 Garantivillkor

Kontakta återförsäljaren  
i ärenden som rör service eller  
underhåll.

NO

SV

FI

DE

# 11 Teknisk data

FR

NL

IT

ES

PT

EL

TR

CS

HU

PL

Type		MC2C- 60/520 XT US-CAN	MC2C- 80/520 T	MC2C- 120/520 T	MC2C- 120/520 XT	MC2C- 140/610 XT	MC2C- 140/610 P	MC2C- 150/650	MC2C- 140/650 (EXPT)	MC2C- 150/650 XT
Märktryck	bar/MPa	60/6,0	80/8,0	120/12	120/12	140/14	140/14	150/15	140/14	150/15
Rengörings- verkan	kg/force	2	2	2,2	2,2	2,5	2,5	2,9	2,9	2,9
Flöde	Q <sub>max</sub> / QIEC l/min	2,3/2,2 gallon	8,7/8,2	8,7/7,8	8,7/7,8	10,2/9,0	10,2/9,0	10,8/9,5	10,8/9,5	10,8/9,5
Spänning/fas/ frekvens/ström	V/fas/ Hz/A	120/1/ 60/15	115-127/1/ 60/15	230/1/ 50/10	230/1/ 50/10	230/1/ 50/12,6	230/1/ 50/12,6	230/1/ 50/14,5	220/1/ 60/14,5	230/1/ 50/14,5
Max. vattentem- peratur	°C	60	60	60	60	60	60	60	60	60
Kabel	m	10	5	5	5	5	5	5	5	5
Pump	varv/min	3400	3400	2800	2800	2800	2800	2800	3400	2800
Storlek, munstycke	1/8"	0,475	0,475	0,340	0,340	0,340	0,370	0,340	0,350	0,340
Ljudtrycksnivå L <sub>pA</sub>	dB(A)	72 ±2	72 ±2	72 ±2	72 ±2	72 ±2	72 ±2	72 ±2	72 ±2	72 ±2
Ljudeffektsnivå L <sub>wA</sub>	dB(A)	89	86	86	86	86	86	88	88	88
Vibration enligt ISO 5349-1	m/s <sup>2</sup>	< 2,5	< 2,5	< 2,5	< 2,5	< 2,5	< 2,5	< 2,5	< 2,5	< 2,5
Vikt	kg	28,6	27,3	27,3	28,1	28,1	28,1	26,3	26,3	28,1

# 12 Deklaration

Vi,

Nilfisk A/S  
Marmorvej 8  
2100 Copenhagen Ø  
DANMARK

Förklarar härmed på eget ansvar att

Produkterna: HPW – Professional – Mobile – EI – CW  
Beskrivning: 230 V, 50 Hz, IPX5  
Typ: MC2C-120/520 T, -120/520 XT, -140/610 XT, -150/650 XT, -140/650 EXPT

Överensstämmer med följande standarder:

EN 60335-1:2012+A11:2014+A13:2017+A1:2019+A14:2019+A2:2019+A15:2021+A16:2023  
EN 60335-2-79:2012  
EN 55014-1:2021  
EN 55014-2:2021  
EN 61000-3-2:2019+A1:2021  
EN 61000-3-11:2019  
EN 63000:2018

Följer unionens harmoniseringslagstiftning:

2006/42/EG  
2014/30/EU  
2011/65/EU  
2000/14/EG – Förfarande för bedömning av överensstämmelse enligt bilaga V.  
– Uppmätt ljudeffektnivå: 86-88 dB(A); Garanterad ljudeffektnivå: 89-91 dB(A)

Broendby, 2024-01-02

*Wei Hua (Warner) Guo*

Warner Guo, VP R&D, Head of Competence Center APAC • R&D

EN

DA

NO

SV

FI

DE

FR

NL

IT

ES

PT

EL

TR

CS

HU

PL

# Sisältö

<b>1</b>	<b>Johdanto</b> .....	<b>85</b>
	1.1 Ohjeissa käytetyt symbolit .....	85
<b>2</b>	<b>Varotoimenpiteet ja työskentelytekniikat</b> .....	<b>85</b>
<b>3</b>	<b>Kuvaus</b> .....	<b>91</b>
	3.1 Käyttökohteet.....	91
	3.2 Osat ja mallitiedot .....	91
<b>4</b>	<b>Ennen painepesurin käytön aloittamista</b> .....	<b>92</b>
	4.1 Suihkusuuttimen pidikkeiden kiinnittäminen .....	92
	4.2 Letkukoukun kiinnittäminen (mallit, joissa ei ole letkukelaa).....	92
	4.3 Letkukelan kahvan kiinnittäminen (mallit, joissa on letkukela).....	92
	4.4 Pikaliitoksen kiinnittäminen.....	93
	4.5 Korkeapaineletkun kiinnittäminen suihkusuuttimeen .....	93
<b>5</b>	<b>Painepesurin käyttäminen</b> .....	<b>93</b>
	5.1 Korkeapaineletkun yhdistäminen.....	93
	5.2 Suihkusuuttimen kiinnittäminen .....	94
	5.3 Vesiliitäntä.....	94
	5.4 Teleskooppikahva .....	94
	5.5 Laitteen käynnistäminen ja sammuttaminen sen ollessa yhdistettynä vedensyöttöön .....	95
	5.6 Laitteen käynnistäminen sen ollessa yhdistettynä vesisäiliöön (imutila) .....	95
	5.7 Paineensäädin .....	95
	5.8 Laitteen käyttö käytettäessä pesuaineita.....	96
	5.9 Vesimäärän ja vedenpaineen säätö (vain mallit, joissa painetta ja veden määrää voidaan säätää).....	96
<b>6</b>	<b>Sovelluskohteet ja työskentelymetodit</b> .....	<b>97</b>
	6.1 Yleistä .....	97
<b>7</b>	<b>Painepesurin käyttämisen jälkeen</b> .....	<b>98</b>
	7.1 Painepesurin säilyttäminen.....	98
	7.2 Sähköjohdon ja korkeapaineletkun.....	98
	7.3 Lisävarusteiden säilyttäminen.....	98
<b>8</b>	<b>Huolto</b> .....	<b>99</b>
	8.1 Vedenotto-suuttimen puhdistaminen .....	99
	8.2 Suuttimen puhdistaminen .....	99
	8.3 Laitteen tuuletusaukkojen puhdistaminen.....	99
	8.4 Liitosten rasvaaminen.....	99
<b>9</b>	<b>Ongelmanratkaisu</b> .....	<b>100</b>
<b>10</b>	<b>Lisätietoja</b> .....	<b>101</b>
	10.1 Takuu ehdot .....	101
<b>11</b>	<b>Tekniset tiedot</b> .....	<b>101</b>
<b>12</b>	<b>Vakuutus</b> .....	<b>102</b>

# 1 Johdanto

## 1.1 Ohjeissa käytetyt symbolit



Tässä käyttöohjeessa selostetaan kaikki painepesurin ja sen osien symbolit.

Tällä symbolilla merkittyihin turvaohjeisiin on kiinnitettävä huomiota henkilö- tai omaisuusvahinkojen välttämiseksi.



Toimi varovaisesti, jos laite tai sen osat ovat vaarassa vaurioitua.



Tämä symboli ilmaisee vihjeitä ja ohjeita, jotka helpottavat työtä ja varmistavat painepesurin turvallisuuden.

## 2 Varotoimenpiteet ja työskentelytekniikat



Lue tämä käyttöohje perusteellisesti ennen laitteen käynnistämistä ensimmäistä kertaa. Säilytä nämä ohjeet myöhempää käyttöä varten.



### Varoitus!

- Aerosolien hengittäminen sisään voi olla haitallista terveydelle. Jos mahdollista, käytä aerosolien muodostumisen estävää suojalaitetta, joka esimerkiksi peittää suulakkeen. Suojaudu aerosoleilta käyttämällä vähintään luokan FFP 2 hengityssuojainta.
- Virtaliitettä ja laitteen tuottama korkea paine ovat pääasialliset vaarat.
- Lapset tai kouluttamattomat henkilöt eivät saa käyttää laitetta. Lapsia on valvottava, jotta he eivät leiki koneella.
- Älä käytä laitetta, jos sen lähellä on ihmisiä, jotka eivät ole pukeutuneet suojavaatteisiin.
- Ennen laitteen käynnistämistä ensimmäistä kertaa tarkista se huolellisesti vikojen varalta. Jos löydät vikoja, älä käynnistä laitetta vaan ota yhteys Nilfisk-jälleenmyyjään. Sähköjohdon eristeessä ei saa olla vikoja eikä halkeamia. Jos sähköjohto on vaurioitunut, anna Nilfisk-jälleenmyyjän vaihtaa se.
- Irrota pistoke pistorasiasta puhdistamisen tai kunnossapidon ajaksi, vaihdettaessa osia tai otettaessa laitteessa käyttöön toinen toiminto.
- Ota kansalliset turvamääräykset huomioon, kuten henkilöstön tapaturma- ja sosiaalivakuutus sekä työterveys- ja turvallisuusviranomaisten ja muiden organisaatioiden määräykset.

EN

DA

NO

SV

FI

DE

FR

NL

IT

ES

PT

EL

TR

CS

HU

PL

EN

DA

NO

SV

FI

DE

FR

NL

IT

ES

PT

EL

TR

CS

HU

PL



## Tarvikkeet ja varaosat

- Käytä vain alkuperäisiä Nilfiskin tai sen hyväksymiä varaosia. Näin varmistat laitteen turvallisuuden.
- Korkeapaineletkut ja liitokset ovat tärkeitä laitteen turvallisuuden kannalta. Käytä ainoastaan Nilfiskin suosittelemia letkuja ja liitoksia.



## Fyysiset, aisti- tai muut rajoitukset

- Tätä laitetta ei ole tarkoitettu lasten eikä fyysisesti, sensorisesti tai henkisesti rajoittuneiden tai kokemattomien henkilöiden käyttöön. Fyysisesti, sensorisesti tai henkisesti rajoittuneet tai kokemattomat henkilöt voivat käyttää tätä konetta, jos heidät on koulutettu käyttämään konetta turvallisesti ja he ymmärtävät käyttämisen aiheuttamat vaarat.



## Käyttötarkoitus

Tämä laite on suunniteltu kotitalous- ja ammattilaiskäyttöön. Laite sopii esimerkiksi seuraaviin käyttökohteisiin:

- kotitaloudet: autot, moottoripyörät, veneet, matkailuvaunut, perävaunut, piha-alueet, ajotiet, huonekalut ja ruohonleikkurit.
- ammattilaiskäyttö: pintojen puhdistus, autot, kuorma-autot, veneet, työkalut ja laitteet.

Muunlainen käyttö katsotaan väärinkäytöksi. Nilfisk ei ole vastuussa vahingoista, jotka johtuvat vääränlaisesta tai virheellisestä käytöstä. Vääränlaisesta tai virheellisestä käytöstä aiheutuvat vahingot ovat yksinomaan käyttäjän vastuulla. Tarkoituksenmukaisella käytöllä tarkoitetaan paitsi ohjeiden mukaista käyttöä myös tämän ohjeen mukaista huoltoa ja korjauksia.

## Vaatetus ja varustus

Suojaa aina itsesi käyttäessäsi laitetta.

- Käytä liukumattomilla pohjilla varustettuja jalkineita.
- Käytä suojalaseja, kuulonsuojaimia ja suojavaatteita käytön aikana.



## Painepesurin kuljettaminen

- Jos laitetta kuljetetaan ajoneuvossa tai sen päällä, se on kiinnitettävä esimerkiksi hihnoilla, jotta se ei pääse liikkumaan eikä kaatumaan.
- Nilfisk suosittelee, että laite asetetaan vaaka-asentoon takaosa alaspäin, kun sitä kuljetetaan ajoneuvossa tai sen päällä.

EN

DA

NO

SV



## Pesuaineet

- Tässä laitteessa on käytettävä vain Nilfiskin toimittamia tai suosittelemia puhdistusaineita. Muiden puhdistusaineiden tai -kemikaalien käyttäminen voi vaikuttaa laitteen toimintaan.

FI

DE

FR



## Ennen työn aloittamista

### Laitteen tarkastaminen

- Älä käytä laitetta, jos sen virtajohto tai tärkeät osat, kuten turvalaitteet, paineletku, ruiskukahva tai ruiskutuslaitteet, ovat kuluneet tai vahingoittuneet.
- Ruiskukahvan liipaisimen tulee liikkua helposti ja palautua automaattisesti alkuasentoon, kun se vapautetaan.
- Pidä paineletku ja ruiskutuslaite aina hyvässä kunnossa ja puhtaina, jotta sen osat liikkuvat helposti. Kokoa osat oikein.

NL

IT

ES

PT

EL

TR



## Sähköliitännät

### Varoitus!

Vähennä sähköiskun vaaraa.

- Sähkönsyötön taajuuden ja jännitteen tulee vastaa laitteen tyyppikilvessä näkyvää merkintää.
- Yhdistä laite vain pätevän sähköasentajan asentamaan pistorasiaan. Sen on täytettävä IEC 60364-1-määräykset.
- On suositeltavaa, että laitteen sähköliitännässä on vikavirtakytkin, joka katkaisee virransyötön, jos vikavirta ylittää 30 mA 30 ms:n ajan.
- Käytä luokan C tai D moottorinkäynnistys-/hitaita sulakkeita, jotka täyttävät IEC/EN 60898-1 / IEC 947-2 -vaatimukset tai vastaavat IEC-alueen ulkopuolella käytössä olevat vaatimukset.

CS

HU

PL

EN

DA

NO

SV

FI

DE

FR

NL

IT

ES

PT

EL

TR

CS

HU

PL

- Suuren tehonkulutuksen vuoksi laite on kytkettävä pistorasiaan, jonka sulake kestää laitteen käytön.
- Puutteelliset jatkojohdot voivat olla vaarallisia. Jos jatkojohtoa käytetään, sen on sovelluttava ulkokäyttöön. Liitäntä on pidettävä kuivana ja irti maasta.
- Jos tarvitaan sähköjohtoa, Nilfisk suosittelee johtokelan käyttämistä, joka pitää pistorasian vähintään 60 mm:n korkeudella maasta.
- Jos virtajohto on vahingoittunut, se on vaaran välttämiseksi vaihdattava Nilfiskin valtuuttamassa huoltokorjaamossa tai valtuutetulla ammattilaisella.
- Yhdistä painepesuri virransyöttöön. Suurin sallittu impedanssi on 0,4023  $\Omega$  ( $Z_{max}$ ). Jos laite yhdistetään sähkönsyöttöön, jonka impedanssi on enintään tämä, ota yhteys sähköntoimittajaan.



### Vesiliitäntä

- Tämän painepesurin saa yhdistää vesijohtoverkkoon vain riittävän tehokkaan BA-tyyppisen takaiskuventtiilin avulla, jonka on täytettävä EN 60335-2-79 -vaatimukset.
- Takaiskuventtiilin voi tilata. Tilausnumero on 106411177.
- Kun juomavesi on virrannut takaiskuventtiilin läpi, sitä ei enää katsota juomakelpoiseksi.
- Jos painepesuri imee vettä esimerkiksi sadevesiastiasta, takaiskuventtiiliä ei tarvita. Lisätietoja on ”**Yhdistäminen paineettomaan vedensyöttöön**” -kohdassa. Laite voidaan yhdistää vedensyöttöön, jonka suurin tulopaine on 1 MPa / 10 baaria ja jossa veden suurin lämpötila on 60 °C.

### Turvalaitteet

#### Ruiskutuskahvan lukituslaite:

- Ruiskutuskahvassa on lukituslaite. Kun salpa aktivoituu, kahvaa ei voi käyttää.

#### Lämpöanturi:

- Itsepalautuva  
Lämpöanturi suojaa moottoria ylikuormitukselta. Kone käynnistyy uudelleen muutaman minuutin kuluttua, kun lämpöanturi on jäähtynyt.



- Manuaalisesti palautettava (vain MC2C:n yhdysvaltalainen malli)

Lämpöanturi on palautettava käyttöön manuaalisesti. Manuaalinen palauttaminen edellyttää laitteen kytkemistä irti verkkovirrasta.



### Huomautus:

Ylikuumenemissuojauksen tahattoman palauttamisen estämiseksi tätä laitetta ei saa kytkeä ulkoiseen verkkovirtakytkimeen, kuten ajastimeen, eikä sitä saa liittää virtapiiriin, jonka virta kytkeytyy ja katkeaa ajoittain itseksensä.

### Paineturvalaite

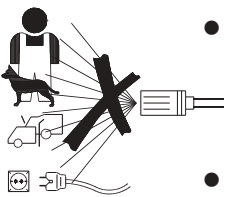
- Sisäänrakennettu hydraulinen turvaventtiili suojaa järjestelmää paineelta.



### Työn ollessa meneillään

#### Varoitus!

- Asbestia sisältäviä pintoja ei saa puhdistaa painepesurilla.
- Räjähdysvaara: älä ruiskuta syttyviä nesteitä.
- Painepesurilla ei saa ruiskuttaa esimerkiksi polttoainetta, lämmitysöljyä, tinneriä tai asetonia sisältäviä nesteitä. Ne voivat vaurioittaa laitteessa käytettyjä materiaaleja. Tällainen neste syttyy ja räjähtää herkästi ja on myrkyllistä.
- Älä suuntaa vesisuihkua kohti itseäsi tai muita edes vaatteiden tai jalkineiden puhdistamiseksi. **Muutoin on olemassa loukkaantumisvaara.**
- Älä koskaan suuntaa vesisuihkua lemmikki- tai muihin eläimiin.
- Älä suuntaa vesisuihkua jännitteisiä sähkölaitteita tai laitetta itseään kohti. **Muutoin on olemassa oikosulun vaara.**
- Kun ruiskutuskahvan liipaisinta painetaan käytön aikana, suihkusuuttimeen kohdistuu 27,4 N:n voima ja äkillistä vääntöä.
- Painepesuria ei saa käyttää, jos lämpötila alittaa 0 °C.
- Älä käynnistä jäätynyttä laitetta. Takuu ei kata jäätyneen aiheuttamia vaurioita.



EN

DA

NO

SV

FI

DE

FR

NL

IT

ES

PT

EL

TR

CS

HU

PL

EN

DA

NO

SV

FI

DE

FR

NL

IT

ES

PT

EL

TR

CS

HU

PL

- Varmista aina, että jalansija on vakaa ja turvallinen.
- Pidä laite mahdollisimman kaukana puhdistettavasta kohteesta.
- Jos laitetta ei käytetä viiteen minuuttiin, aseta virtakytkin asentoon "O" (1).



## Työn päätteeksi

### VAROITUS!

- Katkaise virta ja irrota pistoke pistorasiasta työn päätyttyä tai jos laite jätetään ilman valvontaa.
- Irrota laitteen ja vedensyötön välinen vedensyöttöletku.
- Tyhjennä käytön jälkeen pumppu, letku ja varusteet vedestä ennen laitteen viemistä säilytykseen.



## Huolto ja korjaus

### VAROITUS!

- Irrota pistoke pistorasiasta ennen huoltoa, korjaamista ja puhdistamista.
- Korjaustyöt on teetettävä Nilfiskin valtuuttamassa huoltokorjaamossa käyttämällä Nilfiskin varaosia.
- Älä yritä tehdä huoltoja, joita ei ole kuvattu näissä käyttöohjeissa.
- Jos laite ei käynnisty tai pysähdy, jos se tärisee, jos paine vaihtelee, jos moottorissa esiintyy käyntihäiriö, jos sulake palaa tai jos vettä ei tule, tutustu käyttöohjeen ongelmanratkaisukaavioon. Jos ilmenee muita ongelmia, ota yhteys paikalliseen Nilfisk-jälleenmyyjään.
- Lapset eivät saa puhdistaa tai huoltaa laitetta ilman valvontaa.



## Laitteen hävittämisohjeet:

Tämä merkki osoittaa, että laitetta ei saa hävittää EU:n alueella talousjätteen mukana. Laite tulee kierrättää kestävän kehityksen periaatteiden mukaisesti, jotta ympäristölle ja ihmisten terveydelle ei aiheudu haittaa. Kierrätä käytetty laite viemällä se keräyspisteeseen tai palauttamalla se tuotteen jälleenmyyjälle. Tällöin se käsitellään ympäristön kannalta turvallisesti.

# 3 Kuvaus

EN

DA

NO

SV

FI

DE

FR

NL

IT

ES

PT

EL

TR

CS

HU

PL

## 3.1 Käyttökohteet

Tämä painepesuri on tarkoitettu puoliammattilaiskäyttöön:

- *Autojen, veneiden, asuntovaunujen puhdistamiseen, vähäisiin puhdistustehtäviin rakennustyömailla*

Osassa 6 kuvataan painepesurin käyttäminen eri puhdistustöissä.

Käytä painepesuria vain tässä käyttöoppaassa kuvattuihin tarkoituksiin.

Turvaohjeet on otettava huomioon, jotta laite tai puhdistettava pinta ei vahingoitu eikä vakavia henkilövahinkoja satu.

## 3.2 Osat ja mallitiedot



Lisätietoja on tämän käyttöoppaan lopussa.

- 1 Käynnistys- ja sammutuskytkin
- 2 Veden sisäänmenoliitin ja suodin
- 3 Korkeapaineliitin (vain mallit, joissa ei ole letkukelaa)
- 4 Korkeapaineletku
- 5 Sähköjohto
- 6 Vesimäärän ja vedenpaineen säädin (hankittava erikseen)
- 7 Ergo 2000 suihkusuutin ja lukko
- 8 Flexopower Plus suutin
- 9 4-in-1-suihkusuutin (T- ja XT-mallit)

10 Irrotettava säiliö pesuaineille

11 Suuttimen puhdistustyökalu

12 Letkukela

13 Letkukoukku (vain mallit, joissa ei ole letkukelaa)

14 Mallikilpi

15 Teleskooppikahvan painike

16 Kärnykahva (teleskooppikahva)

17 Käännettävä johtokoukku

**Tekniset tiedot:** Tekniset tiedot ovat laitteen mallikilvessä (14).

Varaamme oikeuden muuttaa teknisiä tietoja.

EN

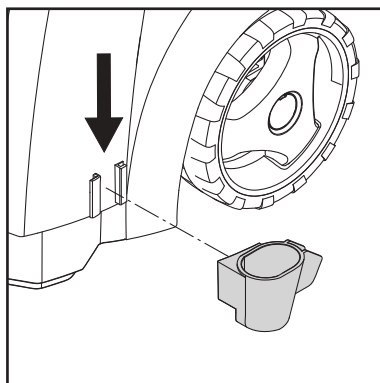
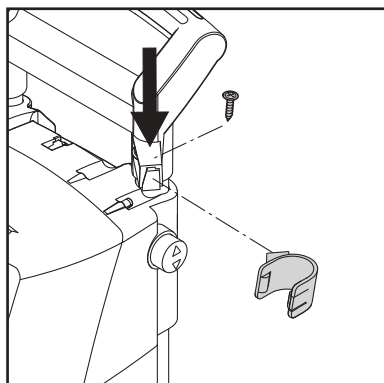
## 4 Ennen painepesurin käytön aloittamista

DA

NO

### 4.1 Suihkusuuttimen pidikkeiden kiinnittäminen

SV



Kiinnitä suihkusuuttimen pidikkeet laitteeseen.

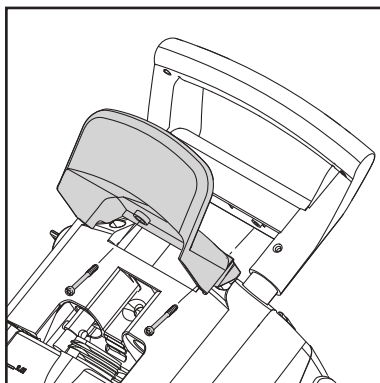
FI

DE

FR

NL

### 4.2 Letkukoukun kiinnittäminen (mallit, joissa ei ole letkukelaa)



Kiinnitä letkukoukku (13) koneeseen kahdella ruuvilla.

**Huomautus:** Letkukoukku voidaan kiinnittää sekä eteen että taakse. Kiinnitä letkukoukku eteen, jos laite ripustetaan seinälle säilytettäväksi erityisen seinäkoukun avulla.

IT

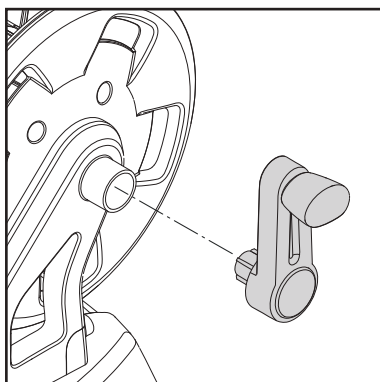
ES

PT

EL

TR

### 4.3 Letkukelan kahvan kiinnittäminen (mallit, joissa on letkukela)



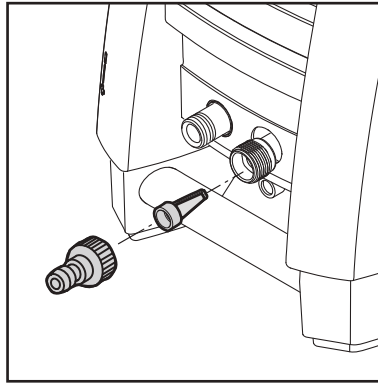
Kiinnitä letkukoukun kahva kärryjen kahvaan (ruuveja ei tarvita).

CS

HU

PL

#### 4.4 Pikaliitoksen kiinnittäminen



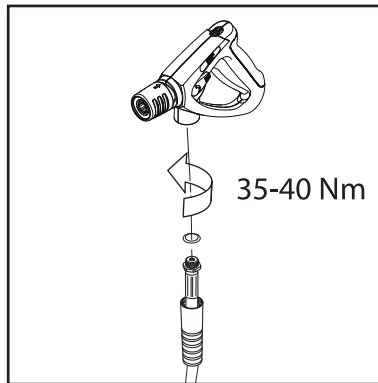
1. Kiinnitä pikaliitos tiukasti vesiliitäntään (2).

**Huomautus:** Vedenotossa on aina oltava suodatin, sillä epäpuhtaudet vahingoittavat pumpun venttiileitä.



**Huomio:** Jos suodinta ei käytetä, takuu ei ole voimassa.

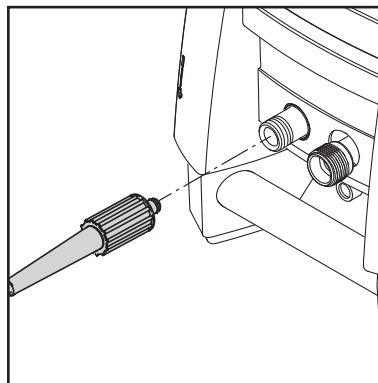
#### 4.5 Korkeapaineletkun kiinnittäminen suihku-suuttimeen



Kiinnitä korkeapaineletku (4) suihku-suuttimeen (7).

## 5 Painepesurin käyttäminen

#### 5.1 Korkeapaineletkun yhdistäminen



**Mallit, joissa ei ole letkukelaa:** Liitä korkeapaineletku (4) korkeapaineisen vesiletkun liitäntään (3).

Käytä vain yhtä, korkeintaan 7 m pituista jatkoletkua.

**Mallit, joissa on letkukela:** Kela korkeapaineletku ulos kokonaan.

EN

DA

NO

SV

FI

DE

FR

NL

IT

ES

PT

EL

TR

CS

HU

PL

EN

DA

NO

SV

FI

DE

FR

NL

IT

ES

PT

EL

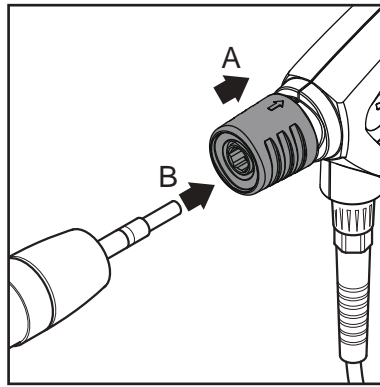
TR

CS

HU

PL

## 5.2 Suihkusuuttimen kiinnittäminen



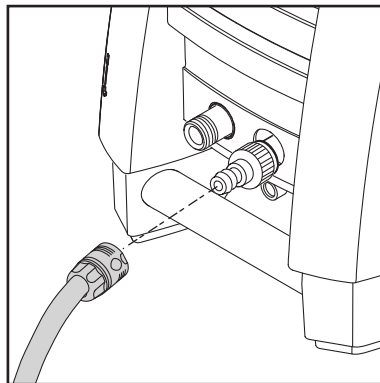
### HUOMAA!

Puhdista nippa aina mahdollisesta liasta ennen kuin yhdistät suihkuputken pistooliin.

1. Vedä ruiskupistoolin sinistä pikavapautinta (A) taaksepäin.
2. Aseta suihkusuuttimen (B) nippa pikavapautusliitännänsä ja vapauta se.
3. Vedä suihkusuutinta tai muuta varustetta eteenpäin sen tarkistamiseksi, että se on kiinnitetty ruiskupistooliin tiukasti.

## 5.3 Vesiliitäntä

Voit käyttää tavallista 0,5 tuuman puutarhaletkua, jonka pituus on vähintään 10 ja enintään 25 metriä.

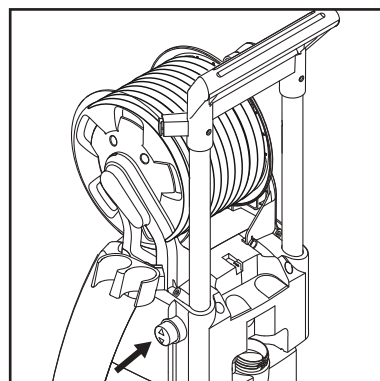
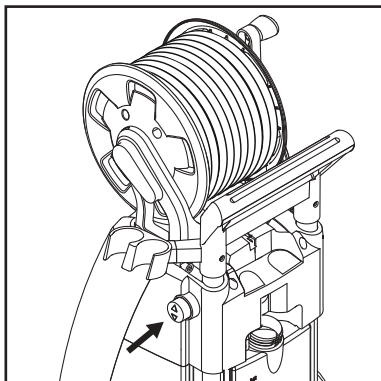


**HUOMAUTUS:** Jos yhdistät laitteen kunnalliseen vesijohtoon, ota huomioon paikalliset määräykset.

**TÄRKEÄÄ! Käytä vain puhdasta vettä.** Jos sisään menevän veden sekaan voi joutua hiekkaa, esimerkiksi kaivosta, käytä ylimääräistä suodinta.

1. Anna veden juosta ennen vedensyötön yhdistämistä vesiliitäntään. Tämä estää hiekkaa ja likaa pääsemästä laitteeseen.  
**Huomautus:** Tarkista, että vedensyötön suodatin on paikoillaan, ja että se ei ole tukossa.
2. Yhdistä vesiletku vesiliitäntään pikaliittimen avulla. Sisään tulevan veden paine saa olla enintään 10 baaria ja lämpötila enintään 60 °C.
3. Avaa vedensyöttö.

## 5.4 Teleskooppikahva



Laitteessa on teleskooppikahva. Voit nostaa tai laskea kahvaa painamalla nuppia ja siirtämällä kahvaa ylös- tai alaspäin. Kahvan on oikeassa asennossa, kun kuuluu napsahdus.

## 5.5 Laitteen käynnistäminen ja sammuttaminen sen ollessa yhdistettynä vedensyöttöön



Vesisuihku aiheuttaa työntövoimaa käytön aikana. Pitele suutinta siksi tukevasti molemmin käsin.

### TÄRKEÄÄ: Suuntaa suutin kohti maata.

1. Laitteen tulee olla vaakasuorassa asennossa.

**HUOMAUTUS:** Älä aseta laitetta korkeaan ruohikkoon!

2. Vapauta lukkoliipaisin.
3. Paina ruiskukahvan liipaisinta. Anna vettä tulla ulos, kunnes ilma on poistunut paineletkusta.
4. Käännä käynnistys-/pysäytyskytkin (1) asentoon
5. Aktivoi suihkusuuttimen liipaisin.

Säädä etäisyys ja sen myötä paine puhdistettavan pinnan mukaan.

## 5.6 Laitteen käynnistäminen sen ollessa yhdistettynä vesisäiliöön (imutila)

Laite voi ottaa vettä esimerkiksi sadevesisäiliöstä. Vedensyöttöletku ei saa olla liian pitkä vaan enintään noin 5 metrin mittainen.

Varmista, että vesisäiliö ei ole laitetta matalammalla.

Käytä ulkoista suodatinta, jos vedessä on epäpuhtauksia.

1. Varmista ennen vesiletkun kiinnittämistä laitteeseen, että letku on täynnä vettä. Laita koko letku säiliöön tai ämpäriin. Voit välttää veden tuhlaamista sulkeamalla vedensyöttöletkun

Älä peitä laitetta käytön aikana äläkä käytä sitä tilassa, jossa ei ole riittävää ilmastointia!



**Huomautus:** Jos laitetta ei käytetä viiteen minuuttiin, aseta virtakytkin asentoon "O" (1).

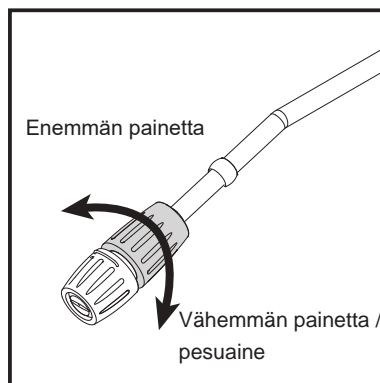
1. Käännä käynnistys-/pysäytyskytkin (1) asentoon "O".
2. Irrota virtapistoke pistorasiasta.
3. Sulje vesihana ja paina liipaisinta paineen poistamiseksi laitteesta.
4. Lukitse suihkusuutin.

Kun vapautat suihkusuuttimen liipaisimen, laite pysähtyy automaattisesti. Laite käynnistyy uudelleen, kun aktivoit suihkusuuttimen jälleen.

sen ollessa vedessä, yhdistämällä letkun laitteeseen pikaliitimellä ja avaamalla vedensyöttöletkun.

2. Irrota ruiskukahva, putki ja suutin.
3. Käännä käynnistys-/pysäytyskytkin asentoon . Anna veden valua, kunnes ilma on poistunut vesiletkusta ja pumpusta.
4. Käännä käynnistys-/pysäytyskytkin (1) asentoon "O".
5. Kiinnitä ruiskukahva ja suihkusuutin.
6. Käännä käynnistys-/pysäytyskytkin (1) asentoon .
7. Aktivoi suihkusuuttimen liipaisin.

## 5.7 Paineensäädin



**Flexopower Plus suuttimen:** Painetta voidaan säädellä Flexopower Plus suuttimen paineensäätimen avulla.

EN

DA

NO

SV

FI

DE

FR

NL

IT

ES

PT

EL

TR

CS

HU

PL

EN

DA

NO

SV

FI

DE

FR

NL

IT

ES

PT

EL

TR

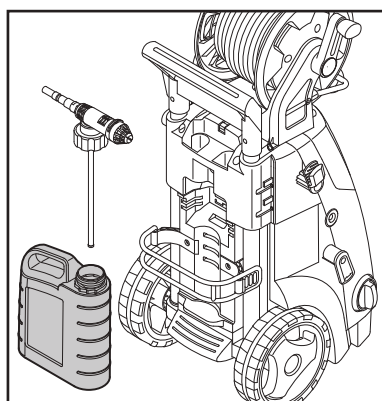
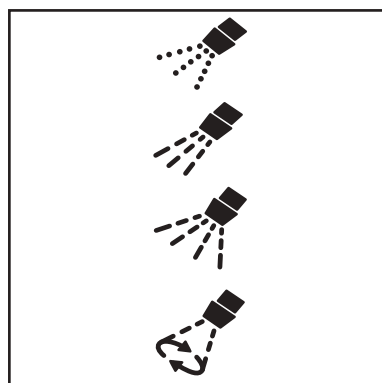
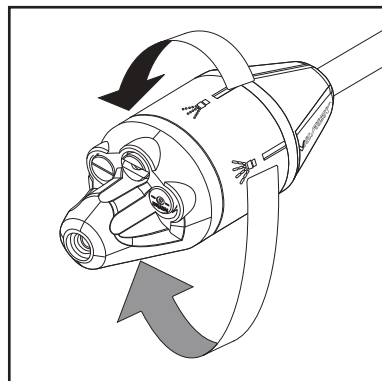
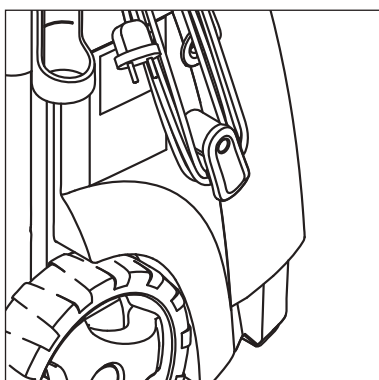
CS

HU

PL

### 5.8 Laitteen käyttö käytettäessä pesuaineita

### 5.9 Vesimäärän ja vedenpaineen säätö (vain mallit, joissa painetta ja veden määrää voidaan säätää)



### T- ja XT-mallit:

#### 4-in-1-suihkusuutin

Painetta voidaan säätää 4-in-1-suihkusuuttimen avulla.

Alhainen paine / pesuaine

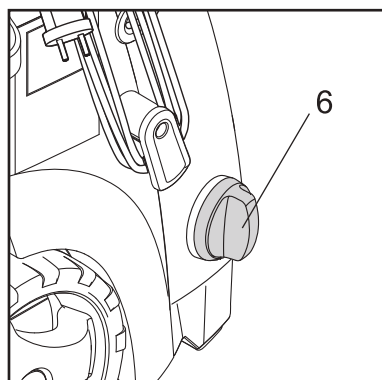
Tornado / korkea paine

Laaja kulma / suuri paine

Turbovasara / korkea paine

1. Täytä säiliö pesuaineella.
2. Suihkuta pesuainetta alhaalta ylöspäin.
3. Anna pesuaineen vaikuttaa pakkauksessa ilmoitetun ajan ja huuhto se pois puhtaalla vedellä tai käytä harjaa.

Veden työpainetta ja määrää voidaan säätää käyttämällä vesimäärän ja vedenpaineen säädintä (6).





# 6 Sovelluskohteet ja työskentelymenetelmät

EN

DA

NO

SV

**FI**

DE

FR

NL

IT

ES

PT

EL

TR

CS

HU

PL

## 6.1 Yleistä

Tehokas painepesu edellyttää muutamien ohjeiden noudattamista ja kokemusta tietyistä puhdistustehtävistä. Oikein valitut varusteet ja puhdistusaineet lisäävät painepesurin tehoa. Seuraavassa jaksossa on perustietoja puhdistamisesta.

### 6.1.1 Puhdistusaine ja vahto

Vahto tai puhdistusaine on levitettävä kuiville pinnoille, jotta kemikaali pääsee suoraan kosketukseen lian kanssa. Levitä puhdistusainetta esimerkiksi auton pinnoille alhaalta ylös, jotta ei synny muita puhtaampia alueita, jolloin puhdistusaine väkevöityy ja valuu alaspäin. Anna puhdistusaineen vaikuttaa useita minutteja ennen huuhtelemista. Älä kuitenkaan anna sen kuivua puhdistettavalle pinnalle. **Huomautus:** Varo puhdistusaineen kuivumista. Muutoin puhdistettava pinta voi vaurioitua.

### 6.1.2 Mekaaninen hankaus

Pinttynyt lika voi edellyttää mekaanista hankausta. Esimerkiksi pinttynyt lika tai tiestä irronneen lian muodostama kalvo voidaan poistaa erityisten pesuharjojen avulla.

EN

# 7 Painepesurin käyttämisen jälkeen

DA

NO

SV

FI

DE

FR

NL

IT

ES

PT

EL

TR

CS

HU

PL

## 7.1 Painepesurin säilyttäminen



**Laitetta ei saa säilyttää tilassa, jossa se voisi altistua pakkaselle!**

Pumppu, letku ja varusteet tulisi aina tyhjentää vedestä ennen säilytystä. Säilytä laitetta seuraavien ohjeiden mukaan:

1. Sammuta laite asettamalla virtakytkin (1) asentoon "O". Irrota letku sekä tarvikkeet.
2. Käynnistä laite uudelleen. Paina liipaisinta kunnes veden tulo lakkaa ruiskupistoolista.
3. Sammuta laite ja irrota se sähköverkosta. Kerää sähkökaapeli laitteen sivulla olevien koukkujen ympärille.

4. Irrota ruiskukahva ja suihku-suutin toisistaan.

5. **Mallit, joissa ei ole letkukelaa:** Irrota korkeapaineletku ja kela se säiliöön.

**Mallit, joissa on letkukela:** Kela korkeapaineletku letkukelaan.

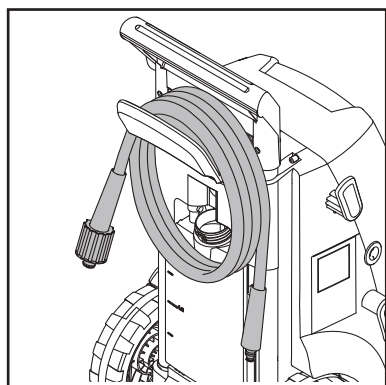
6. Aseta ruiskupistooli, suuttimet ja muut varusteet niille kuuluviin pidikkeisiin.

Jos laite pääsee vahingossa jäätymään, anna sen sulaa ja tarkista, ettei siinä ole vaurioita.

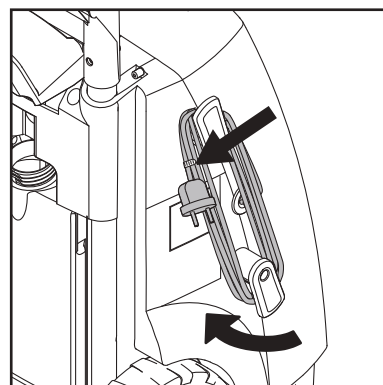
**ÄLÄ MILLOINKAAN KÄYNNISTÄ JÄÄTYNYTTÄ KONETTA.**

**Takuu ei kata pakkasvahinkoja!**

## 7.2 Sähköjohdon ja korkeapaineletkun

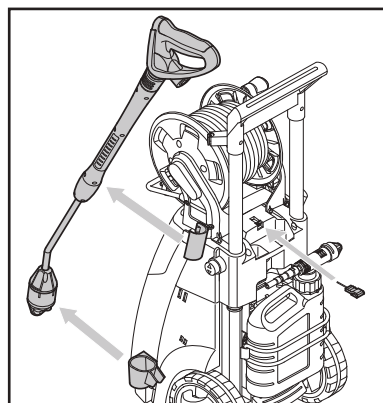


Onnettomuuksien välttämiseksi sähköjohto ja korkeapaineletku on aina kelattava kiepille.



1. Kierrä sähköjohto sille varattuihin koukkuihin. Kiinnike varmistaa kiinnityksen. Alempi koukku voidaan kääntää sähköjohdon vapauttamiseksi.
2. Painepesuri on saatavana kahtena mallina: A) Malli, jossa on koukku korkeapaineletkun säilyttämistä varten (13) – B) Malli, jossa on letkukela (12).

## 7.3 Lisävarusteiden säilyttäminen



Vakiovarusteet (suihkusuutin/suutin (A) ja lisäksi suuttimenpuhdistustyökalu) voidaan säilyttää painepesurin yhteydessä.

# 8 Huolto



**VAROITUS!** Irrota aina virtapistoke pistorasiasta ennen painepesurin huoltamista tai puhdistamista.

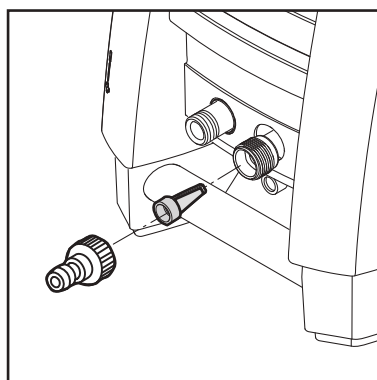
Voit varmistaa pitkän ja ongelmattoman käyttöiän toimimalla seuraavasti:

- Huuhtelee vesiletku, paineletku, suuttimet ja lisälaitteet ennen kiinnittämistä paikoilleen.

- Puhdista liittimet liasta ja hiekasta.
- Puhdista suuttimet.

Huoltotyöt on aina tehtävä valtuutetuissa huoltopisteissä ja käyttämällä alkuperäisiä varaosia.

## 8.1 Vedenottosuotimen puhdistaminen

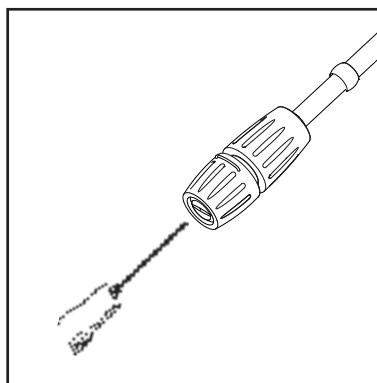


Puhdista vedenottosuodin säännöllisesti kuukausittain tai tarpeen mukaan useammin. Irrota suodin varovasti pihtien avulla ja puhdista se. Tarkista ennen suotimen kiinnittämistä paikoilleen, ettei se ole vahingoittunut.

Vedenotossa on aina oltava suodatin, sillä epäpuhtaudet vahingoittavat pumpun venttiileitä.

**HUOMAUTUS:** Jos suodinta ei käytetä, takuu ei ole voimassa.

## 8.2 Suuttimen puhdistaminen



Tukkeutuva suutin nostaa pumpun paineen liian suureksi. Tukkeutunut suutin on puhdistettava heti.

1. Sammuta laitteesta virta ja irrota suutin.
2. Puhdista suutin. **TÄRKEÄÄ:** Puhdistusväline (11) saa käyttää vain suuttimen ollessa irrotettuna!
3. Huuhtelee suutin vedellä vastoin tavallista suihkutus-suuntaa.

## 8.3 Laitteen tuuletusaukkojen puhdistaminen

Laite on pidettävä puhtaana, jotta jäähdytysilma pääsee kiertämään vapaasti tuuletusaukkojen avulla.

## 8.4 Liitosten rasvaaminen

Liitokset on rasvattava säännöllisesti helpon liitettävyyden varmistamiseksi ja o-renkaiden kuivumisen estämiseksi.

EN

DA

NO

SV

FI

DE

FR

NL

IT

ES

PT

EL

TR

CS

HU

PL

EN

## 9 Ongelmanratkaisu

DA

NO

SV

FI

DE

FR

NL

IT

ES

PT

EL

TR

CS

HU

PL

Tee seuraavat tarkistukset ennen yhteyden ottamista Nilfisk-huoltopisteeseen.

Oire	Syy	Suosittelut toimenpiteet
<b>Laite ei käynnisty</b>	Pistoke ei ole pistorasiassa Viallinen pistorasia Palanut sulake  Viallinen jatkojohto	Aseta pistoke pistorasiaan. Kokeile toista pistorasiaa. Vaihda sulake. Sammuta virta muista laitteista. Yritä käyttää laitetta ilman jatkojohtoa.
<b>Paine vaihtelee</b>	Pumppuun pääsee ilmaa  Likaiset, kuluneet venttiilit Kuluneet pumpuntiivisteet	Tarkasta, että letkut ja liitännät ovat ilmatiiviit. Puhdista, vaihda tai ota yhteys Nilfisk jälleenmyyjään. Puhdista, vaihda tai ota yhteys Nilfisk jälleenmyyjään.
<b>Moottori käy epätasaisesti</b>	Liian alhainen jännite tai matala lämpötila	Aktivoi suihkusuuttimen liipaisin.
<b>Laite pysähtyy</b>	Palanut sulake  Väärä syöttöjännite  Lämpötunnistin aktivoitunut Suutin osittain tukossa	Vaihda sulake. Sammuta virta muista laitteista. Tarkista, että syöttöjännite vastaa tyyppikilven tietoja. Anna painepesurin jäähtyä 5 minuuttia. Puhdista suutin. Lisätietoja on jaksossa 7.2.
<b>Sulake palaa</b>	Liian pienitehoinen sulake	Käytä pistorasiaa, johon liittyvä sulake on vähintään laitteen kulutuksen tehoinen. Yritä käyttää laitetta ilman jatkojohtoa.
<b>Laite toimii epätasaisesti</b>	Pumppuun tai syöttöletkuun pääsee ilmaa Vettä syötetään liian vähän  Suutin osittain tukossa Vedensuodin tukossa Letku mutkalla	Anna laitteen toimia liipaisin painettuna, kunnes paine palaa normaaliksi. Tarkista, että vedensyöttö vastaa laitteen vaatimuksia, jotka näkyvät tyyppikilvessä. <b>OTA HUOMIOON!</b> Vältä pitkiä ohuita letkuja. Käytä vähintään 0,5 tuuman letkuja. Puhdista suutin. Lisätietoja on jaksossa 7.2. Puhdista suodin. Lisätietoja on jaksossa 7.1. Suorista letku.
<b>Laite käynnistyy ja pysähtyy itsestään toistuvasti</b>	Suutin vuota	Ota yhteys Nilfisk-huoltopisteeseen.  Vaihda istuin / pallo / O-rengas suihkukahva venttiili.
<b>Laite käynnistyy, mutta vettä ei tule ulos ovat jäätyneet</b>	Pumppu, letkut tai lisävarusteet Laite ei saa vettä Vedensuodin tukossa Suutin tukossa	Odot, että pumppu, letkut tai lisälaitteet sulavat. Yhdistä laite vedensyöttöön. Puhdista suodin. Lisätietoja on jaksossa 7.1. Puhdista suutin. Lisätietoja on jaksossa 7.2.
<b>Pumpun työpaine laskee</b>	Vesimäärän ja vedenpaineen säädin on väärässä asennossa	Säädä säädin oikeaan asentoon.

Jos muita kuin edellä mainittuja ongelmia esiintyy, ota yhteys Nilfisk-jälleenmyyjään.

# 10 Lisätietoja

## 10.1 Takuu ehdot

Jos laite tarvitsee huoltoa tai kunnossapitoa, ota yhteys jälleenmyyjään.

# 11 Tekniset tiedot

Tyyppi		MC2C-60/520 XT US-CAN	MC2C-80/520 T	MC2C-120/520 T	MC2C-120/520 XT	MC2C-140/610 XT	MC2C-140/610 P	MC2C-150/650	MC2C-140/650 (EXPT)	MC2C-150/650 XT
Nimellispaine	bar/MPa	60/6,0	80/8,0	120/12	120/12	140/14	140/14	150/15	140/14	150/15
Puhdistusteho	kg/force	2	2	2,2	2,2	2,5	2,5	2,9	2,9	2,9
Virtaama	Qmax/ QIEC l/min	2,3/2,2 gallon	8,7/8,2	8,7/7,8	8,7/7,8	10,2/9,0	10,2/9,0	10,8/9,5	10,8/9,5	10,8/9,5
Jännite/vaihe/ taajuus/virta	V/-/Hz/A	120/1/ 60/15	115-127/1/ 60/15	230/1/ 50/10	230/1/ 50/10	230/1/ 50/12,6	230/1/ 50/12,6	230/1/ 50/14,5	220/1/ 60/14,5	230/1/ 50/14,5
Veden suurin lämpötila	°C	60	60	60	60	60	60	60	60	60
Johto	m	10	5	5	5	5	5	5	5	5
Pumpun kierrosnopeus	kierr./min.	3400	3400	2800	2800	2800	2800	2800	3400	2800
Suuttimen koko	1/8"	0,475	0,475	0,340	0,340	0,340	0,370	0,340	0,350	0,340
Äänipainetaso LpA	dB(A)	72 ±2	72 ±2	72 ±2	72 ±2	72 ±2	72 ±2	72 ±2	72 ±2	72 ±2
Äänitehotaso LwA	dB(A)	89	86	86	86	86	86	88	88	88
Tärinä mitattu ISO 5349-1	m/s <sup>2</sup>	< 2,5	< 2,5	< 2,5	< 2,5	< 2,5	< 2,5	< 2,5	< 2,5	< 2,5
Paino	kg	28,6	27,3	27,3	28,1	28,1	28,1	26,3	26,3	28,1

EN

DA

NO

SV

**FI**

DE

FR

NL

IT

ES

PT

EL

TR

CS

HU

PL

EN

# 12 Vakuutus

DA

Me,

NO

Nilfisk A/S  
Marmorvej 8  
2100 Copenhagen Ø  
TANSKA

SV

vakuutamme täten omalla vastuullamme, että

FI

Tuotteet: HPW – Professional – Mobile – EI – CW  
Kuvaus: 230 V, 50 Hz, IPX5

DE

Tyyppi: MC2C-120/520 T, -120/520 XT, -140/610 XT, -150/650 XT, -140/650 EXPT

FR

täyttävät seuraavien standardien vaatimukset:

EN 60335-1:2012+A11:2014+A13:2017+A1:2019+A14:2019+A2:2019+A15:2021+A16:2023

EN 60335-2-79:2012

EN 55014-1:2021

EN 55014-2:2021

EN 61000-3-2:2019+A1:2021

EN 61000-3-11:2019

EN 63000:2018

NL

IT

ES

ovat seuraavien Euroopan unionin harmonisoitujen direktiivien mukaisia:

2006/42/EY

2014/30/EU

2011/65/EU

2000/14/EY – vaatimustenmukaisuuden arviointi liitteen V mukaisesti.

– Mitattu äänenpainetaso: 86-88 dB(A); keskimääräinen äänenpainetaso: 89-91 dB(A)

PT

EL

TR

Broendby, 2024-01-02

*Wei-lua (Warner) Guo*

CS

Warner Guo, VP R&D, Head of Competence Center APAC • R&D

HU

PL

# Inhalt

<b>1</b>	<b>Einführung</b> .....	<b>104</b>
	1.1 <i>Verwendete Symbole</i> .....	104
<b>2</b>	<b>Sicherheitsvorkehrungen und Betriebstechniken</b> .....	<b>104</b>
<b>3</b>	<b>Beschreibung</b> .....	<b>112</b>
	3.1 <i>Anwendung</i> .....	112
	3.2 <i>Bedienelemente und Modellübersicht</i> .....	112
<b>4</b>	<b>Bevor Sie Ihren Hochdruckreiniger in Betrieb nehmen</b> .....	<b>113</b>
	4.1 <i>Montage des Sprührohrhalters</i> .....	113
	4.2 <i>Montage des Schlauchhakens (Modelle ohne Schlauchtrommel)</i> .....	113
	4.3 <i>Montage des Schlauchtrommelgriffs (Modelle mit Schlauchtrommel)</i> .....	113
	4.4 <i>Montage der Schnellkupplung</i> .....	114
	4.5 <i>Montage des Hochdruckschlauchs an der Spritzpistole</i> .....	114
<b>5</b>	<b>Betriebsanleitung</b> .....	<b>114</b>
	5.1 <i>Anschluss des Hochdruckschlauchs</i> .....	114
	5.2 <i>Montage des Sprührohrs</i> .....	115
	5.3 <i>Wasseranschluss</i> .....	115
	5.4 <i>Teleskopgriff</i> .....	115
	5.5 <i>Ein- und Ausschalten der Maschine (wenn sie an eine Wasserversorgung angeschlossen ist)</i> .....	116
	5.6 <i>Einschalten der Maschine (wenn sie an offene Behälter angeschlossen ist (Saugmodus))</i> .....	116
	5.7 <i>Druckregulierung</i> .....	117
	5.8 <i>Betrieb mit Reinigungsmittel</i> .....	117
	5.9 <i>Druck-/Wassermengenregulierung (nur Modelle mit Druck-/Wassermengenregler)</i> .....	118
<b>6</b>	<b>Anwendungsbereiche und Arbeitsmethoden</b> .....	<b>118</b>
	6.1 <i>Allgemein</i> .....	118
<b>7</b>	<b>Nach der Verwendung Ihres Hochdruckreinigers</b> .....	<b>119</b>
	7.1 <i>Aufbewahren des Hochdruckreinigers</i> .....	119
	7.2 <i>Aufwickeln des Stromkabels und des Hochdruckschlauchs</i> .....	119
	7.3 <i>Lagerung der Zubehörteile</i> .....	119
<b>8</b>	<b>Wartung</b> .....	<b>120</b>
	8.1 <i>Reinigung des Wasserzulauf filters</i> .....	120
	8.2 <i>Reinigung der Düse</i> .....	121
	8.3 <i>Reinigung der Lüftungsöffnungen</i> .....	121
	8.4 <i>Schmieren der Kupplungen</i> .....	121
<b>9</b>	<b>Fehlerbehebung</b> .....	<b>122</b>
<b>10</b>	<b>Weitere Informationen</b> .....	<b>123</b>
	10.1 <i>Garantiebedingungen</i> .....	123
<b>11</b>	<b>Technische Daten</b> .....	<b>123</b>
<b>12</b>	<b>EG/EU-Konformitätserklärung</b> .....	<b>124</b>

EN

DA

NO

SV

FI

**DE**

FR

NL

IT

ES

PT

EL

TR

CS

HU

PL

# 1 Einführung

## 1.1 Verwendete Symbole

Alle am Hochdruckreiniger und seinen Komponenten angebrachten Symbole werden in diesem Handbuch erklärt.



Sicherheitshinweise mit diesem Symbol müssen beachtet werden, um Verletzungen von Personen und Schäden an Geräten zu vermeiden.



Vorsicht vor Gefahr der Beschädigung des Geräts oder einzelner Komponenten.



Dieses Symbol weist auf Tipps und Anweisungen zur Vereinfachung der Arbeit mit und für einen sicheren Betrieb des Hochdruckreinigers hin.

## 2 Sicherheitsvorkehrungen und Betriebstechniken



Sie müssen diese Bedienungsanleitung sorgfältig lesen, bevor Sie Ihren Hochdruckreiniger zum ersten Mal in Betrieb nehmen. Heben Sie dieses Handbuch für die spätere Verwendung auf.



### Warnung!

- Das Einatmen von Aerosolen kann gesundheitsgefährdend sein. Gegebenenfalls eine Vorrichtung verwenden, um die Erzeugung von Aerosolen zu vermeiden oder zu verringern, z. B. eine Abdeckung der Düse. Zum Schutz gegen Aerosole eine Atemmaske der Klasse FFP 2 oder höher verwenden.
- Der vom Gerät erzeugte hohe Wasserdruck und die Spannungsversorgung stellen besondere Gefahrenquellen dar.
- Hochdruckreiniger dürfen nicht von Kindern und ungeschulten Personen benutzt werden. Kinder müssen beaufsichtigt werden, um sicherzustellen, dass sie nicht mit dem Gerät spielen.
- Betreiben Sie das Gerät nicht, wenn sich Personen ohne entsprechende Schutzkleidung innerhalb der Reichweite des Wasserstrahls aufhalten.
- Vor jeder Inbetriebnahme des Geräts sorgfältig auf Defekte prüfen. Bei Auffinden eines Defekts das Gerät nicht in Betrieb nehmen und Ihren Nilfisk Händler kontaktieren. Die Isolierung des elektrischen Kabels darf keine Risse oder anderweitigen Beschädigungen aufweisen. Ein beschädigtes elektrisches Kabel sollte umgehend von einem Nilfisk Händler ersetzt werden.



- Vor dem Säubern des Gerätes, Wartungsarbeiten, dem Austausch von Teilen oder dem Umrüsten des Gerätes auf andere Funktionen den Reiniger immer von seiner Stromquelle trennen.
- Stets die geltenden nationalen Sicherheitsbestimmungen beachten, beispielsweise die der Haftpflichtversicherung des Arbeitgebers, der Sozialversicherungen, der Bestimmungen für Sicherheit und Gesundheit am Arbeitsplatz und anderen geltenden Bestimmungen.



### **Ersatzteile und Zubehör**

- Für einen sicheren Betrieb des Geräts stets nur Original-Ersatzteile von Nilfisk oder Nilfisk-zugelassene Ersatzteile verwenden.
- Die Hochdruckschläuche, Anschlüsse und Kupplungen tragen entscheidend zur Sicherheit des Geräts bei. Nur von Nilfisk empfohlene Schläuche, Anschlüsse und Kupplungen verwenden.



### **Physische, motorische und mentale Voraussetzungen**

- Der Gebrauch dieses Geräts durch Personen (u. a. Kinder) mit eingeschränkten physischen, sensorischen oder geistigen Fähigkeiten oder mangelnder Erfahrung und Wissen ist nicht zulässig. Wird das Gerät durch Personen mit eingeschränkten physischen, sensorischen oder geistigen Fähigkeiten oder mangelnder Erfahrung und Wissen gebraucht, muss eine Beaufsichtigung oder Unterweisung im Umgang mit dem Gerät in einer sicheren Weise durchgeführt werden, und die Person muss die damit verbundenen Gefahren verstehen.



### **Anwendungen**

Dieses Gerät wurde für den Hausgebrauch und gewerblichen Gebrauch entwickelt, wie zum Beispiel:

- Hausgebrauch: Auto, Motorrad, Boot, Wohnwagen, Anhänger, Terrasse, Zufahrt, Möbel, Rasenmäher.
- gewerblichen Gebrauch: Reinigen von Oberflächen, Autos, Lastwagen, Booten, Werkzeugen und Geräten.

EN

DA

NO

SV

FI

DE

FR

NL

IT

ES

PT

EL

TR

CS

HU

PL

EN

DA

NO

SV

FI

DE

FR

NL

IT

ES

PT

EL

TR

CS

HU

PL

Jede andere Anwendung gilt als unsachgemäßer Gebrauch. Nilfisk übernimmt keine Haftung für Schäden, die aus unsachgemäßer Anwendung resultieren. Das Risiko für eine solche Verwendung trägt allein der Benutzer. Zum sachgemäßen Gebrauch gehört auch die bestimmungsgemäße Bedienung, Wartung und Instandsetzung gemäß dieser Anleitung.

### **Kleidung und Ausrüstung**

Bei Bedienung des Geräts stets entsprechende Schutzmaßnahmen vornehmen.

- Schuhe mit rutschfester Sohle tragen.
- Während der Arbeit eine Schutzbrille, Gehörschutz und Schutzkleidung tragen.



### **Transport des Hochdruckreinigers**

- Beim Transport des Geräts in oder auf einem Fahrzeug muss es durch Transportbänder ausreichend gesichert werden, um ein Rutschen oder Kippen des Reinigers zu verhindern.
- Nilfisk empfiehlt eine horizontale Lage auf der Rückseite während des Transports.



### **Reinigungsmittel**

- Dieses Gerät wurde für die Verwendung in Verbindung mit Reinigungsmitteln von Nilfisk oder von Nilfisk empfohlenen Reinigungsmitteln entworfen. Die Verwendung anderer Reinigungsmittel oder Chemikalien kann die Sicherheit bei der Verwendung des Geräts beeinträchtigen.



### **Vor der Inbetriebnahme des Reinigers Überprüfung des Geräts**

- Das Gerät nicht in Betrieb nehmen, wenn das Stromkabel oder andere wichtige Komponenten beschädigt sind. Dazu zählen beispielsweise die Sicherheitsvorrichtung, der Hochdruckschlauch, der Sprühgriff und die Sprühaufsätze.

- Der Auslöser am Sprühgriff muss leichtgängig sein und beim Loslassen automatisch in die Ausgangsposition zurückkehren.
- Den Hochdruckschlauch und Sprühaufsatz stets in gutem Zustand (sauber, leichtgängig) und korrekt montiert halten.



## Elektrischer Anschluss

### Warnung!

Vermeidung von Stromschlägen:

- Spannung und Frequenz des Geräts (siehe Typenschild) müssen mit der Spannung und Frequenz der Spannungsversorgung übereinstimmen.
- Das Gerät nur an Steckdosen anschließen, die von einem ausgebildeten Elektriker montiert wurden und die der IEC 60364-1 Vorschrift entsprechen.
- Es wird empfohlen, einen Fehlerstrom-Schutzschalter in die Spannungsversorgung zu integrieren, der die Versorgung bei einem Ableitstrom an Masse von über 30 mA für 30 ms unterbricht.
- Verwenden Sie träge Motor-Start-Sicherungen mit C oder D-Charakteristik gemäß IEC/EN 60898-1 / IEC 947-2 oder einer dieser ähnlichen Norm außerhalb der IEC.
- Aufgrund der hohen Leistungsaufnahme wird für dieses Gerät eine entsprechende Netzabsicherung benötigt.
- Unangemessene Verlängerungskabel können gefährlich sein. Bei Verwendung eines Verlängerungskabel darauf achten, dass dieses für den Außeneinsatz geeignet ist. Alle Anschlüsse müssen stets trocken und vom Boden fern gehalten werden.
- Nilfisk empfiehlt den Einsatz eines Verlängerungskabels mit Kabeltrommel, damit die Verbindung der Kabel sich mindestens 60 mm über dem Boden befindet.

EN

DA

NO

SV

FI

DE

FR

NL

IT

ES

PT

EL

TR

CS

HU

PL

EN

DA

NO

SV

FI

DE

FR

NL

IT

ES

PT

EL

TR

CS

HU

PL

- Wenn das elektrische Kabel beschädigt ist, muss es von einem autorisierten Nilfisk Händler oder einer anderen qualifizierten Person ersetzt werden, um Gefahren vorzubeugen.
- Beim Anschließen des Hochdruckreinigers an das Versorgungssystem ist die max. erlaubte Impedanz =  $0,4023 \Omega$  ( $Z_{max}$ ). Beraten Sie sich mit der Versorgungsbehörde, um zu sichern, dass das Gerät nur an eine Versorgung mit dieser Impedanz oder weniger verbunden wird.



### Wasseranschluss

- Dieser Hochdruckreiniger darf nur an einen Trinkwasseranschluss angeschlossen werden, wenn eine entsprechende Rückstausicherung des Typs BA gemäß EN 60335-2-79 installiert ist.
- Die Rückstausicherung kann über die Bestellnummern 106411177.
- Sobald das Trinkwasser die Rückstausicherung passiert hat, darf es nicht mehr als Trinkwasser eingesetzt werden.
- Der Saugbetrieb (z. B. über eine Regenwassertonne) erfolgt ohne Saugbetrieb – siehe „**Anschluss an eine drucklose Wasserversorgung**“. Das Gerät darf an Wasseranschlüsse mit einem maximalen Einlassdruck von 1 MPa/10 bar und einer Wassertemperatur von max. 60 °C angeschlossen werden.

### Sicherungen

#### Arretierung auf der Spritzpistole:

- Die Spritzpistole ist mit einer Arretierung versehen. Wenn die Sperrklinke aktiviert ist, kann die Spritzpistole nicht betrieben werden.

#### Wärmesensor:

- Selbsttätig zurücksetzend  
Der Thermosensor schützt den Motor vor Überlastung. Der Thermosensor kühlt nach Auslösen innerhalb einiger Minuten ab und die Maschine startet neu.

- Nicht selbsttätig zurücksetzend (nur für Modell MC2C US)  
Das Zurücksetzen muss manuell eingeleitet werden.  
Dazu muss das Gerät manuell vom Stromnetz  
getrennt werden.



### **Vorsicht:**

Um Gefahren durch unbeabsichtigtes Zurücksetzen des Überhitzungsschutzes zu vermeiden, darf dieses Gerät nicht über ein externes Schaltgerät, wie zum Beispiel eine Zeitschaltuhr, mit Strom versorgt oder an einen Stromkreis angeschlossen werden, der regelmäßig vom Versorger ein- und ausgeschaltet wird.

### **Überdruckschutz**

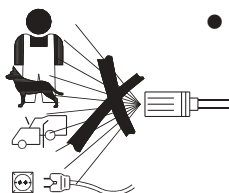
- Ein integriertes hydraulisches Sicherheitsventil schützt das System gegen Überdruck. Wenn Sie den Griff lösen, wird das Sicherheitsventil automatisch eingeschaltet.



### **Während des Betriebs**

#### **Warnung!**

- Die Reinigung von asbesthaltigen Oberflächen mit Hochdruck ist verboten.
- Explosionsgefahr – sprühen Sie niemals mit leicht entzündlichen Flüssigkeiten.
- Niemals Flüssigkeiten verwenden, die Lösungsmittel (z. B. Benzin, Heizöl, Verdünner oder Aceton) enthalten. Diese Substanzen können die Werkstoffe im Gerät beschädigen. Der Sprühnebel von solchen Substanzen ist höchst entflammbar, explosiv und giftig.
- Den Wasserstrahl niemals auf sich selbst oder andere Personen richten, auch nicht zur Reinigung von Kleidung oder Schuhwerk – **große Verletzungsgefahr.**
- Den Wasserstrahl niemals auf Haustiere oder andere Tiere richten.
- Den Wasserstrahl niemals auf Strom führende elektrische Geräte oder den Reiniger selbst richten – **Kurzschlussgefahr.**



EN

DA

NO

SV

FI

DE

FR

NL

IT

ES

PT

EL

TR

CS

HU

PL

EN

DA

NO

SV

FI

DE

FR

NL

IT

ES

PT

EL

TR

CS

HU

PL



- Während des Betriebs kann ein Rückstoßmoment bis zu 27,4 N und ein plötzliches Drehmoment auf die Sprühlanze wirken.
- Niemals ein eingefrorenes Gerät in Betrieb nehmen. Frostschäden werden nicht von der Garantie abgedeckt!
- Immer auf sicheren und festen Stand achten.
- Das Gerät muss in aufrechter Position betrieben werden.
- Wenn Sie weggehen oder die Maschine länger als 5 Minuten nicht verwenden, muss sie mit dem Ein/Aus-Schalter abgeschaltet werden – Position „O“.



### Nach Beendigung der Arbeit

#### Warnung!

- Das Gerät nach Beendigung der Arbeit und bei Verlassen des Geräts stets ausschalten und von der Spannungsversorgung trennen.
- Den Wassereinlassschlauch zwischen Gerät und Wasserversorgung entfernen.
- Das Wasser aus Pumpe, Schlauch und Aufsätzen nach Beendigung der Arbeit und vor der Lagerung immer entleeren.



### Wartung und Reparatur

#### Warnung!

- Vor Wartungs-, Reinigungs- und Reparaturarbeiten immer den Netzstecker aus der Steckdose ziehen.
- Reparaturen sollten stets von Nilfisk autorisierten Werkstätten mit Original Nilfisk Ersatzteilen durchgeführt werden.
- Niemals Wartungsarbeiten vornehmen, die nicht im Handbuch beschrieben sind.
- Sollte das Gerät nicht starten oder stoppen, Druckschwankungen auftreten, der Motor brummt, Sicherungen auslösen oder kein Wasser austreten, die Tabelle zur Fehlerbehebung in diesem Handbuch prüfen. Bei anderen Problemen bitte an Ihren örtlichen Nilfisk Händler wenden.

- Kinder müssen beim Reinigen und Warten des Geräts beaufsichtigt werden.



### **Dieses Produkt ordnungsgemäß entsorgen**

Dieses Symbol zeigt an, dass dieses Produkt in der EU nicht mit dem Hausmüll entsorgt werden darf. Um mögliche Schäden für die Umwelt oder die menschliche Gesundheit durch unkontrollierte Entsorgung von Abfällen zu vermeiden, müssen Sie es verantwortungsvoll entsorgen und können dadurch die Wiederverwendung von Rohstoffen im Sinne der Nachhaltigkeit unterstützen. Um Ihr gebrauchtes Gerät zurückzugeben, nutzen Sie bitte das Rückgabe- und Sammelsystem oder wenden Sie sich an den Händler, bei dem das Produkt gekauft wurde. Er kann dieses Produkt einem umweltgerechten Recycling zuführen.

EN

DA

NO

SV

FI

DE

FR

NL

IT

ES

PT

EL

TR

CS

HU

PL

## 3 Beschreibung

### 3.1 Anwendung

Dieser Hochdruckreiniger wurde für semi-professionelle Routine Reinigungsaufgaben entwickelt :

- *Professionelle Handwerker, Reinigung von Fahrzeugen, Boot, Wohnwagen und kleinere Bauarbeiten*

In Kapitel 6 wird die Verwendung von Hochdruckreinigern für verschiedene Reinigungsaufgaben beschrieben.

Verwenden Sie den Hochdruckreiniger ausschließlich für die in diesem Handbuch beschriebenen Zwecke.

Die Sicherheitsvorkehrungen müssen eingehalten werden, um eine Beschädigung der Maschine oder der zu reinigenden Oberfläche oder schwere Personenverletzungen zu vermeiden.

### 3.2 Bedienelemente und Modellübersicht



Siehe Illustration am Ende dieses Handbuchs.

- 1 Ein/Aus-Schalter
- 2 Wasserzulauf (mit Filter)
- 3 Anschluss für Hochdruckschlauch (nur Modelle ohne Schlauchtrommel)
- 4 Hochdruckschlauch
- 5 Stromkabel
- 6 Druck-/Wassermengen-Regulierung (nicht Standard)
- 7 Ergo 2000 Spritzpistole mit Arretierung
- 8 Flexopower Plus Sprührohr (Standardmodelle)
- 9 2-in-1 Düse (T und XT Modelle)

- 10 Abnehmbarer Reinigungsmittelbehälter
- 11 Düsenreinigungswerkzeug
- 12 Schlauchtrommel (nicht Standard)
- 13 Schlauchhaken (nicht Standard)
- 14 Modellschild
- 15 Taste für Teleskopgriff
- 16 Tragegriff (Teleskopgriff)
- 17 Drehbarer Leitungshaken

**Technische Daten:** Siehe Modellschild (14) der Maschine.

Wir behalten uns eine Änderung der technischen Daten vor.



# 4 Bevor Sie Ihren Hochdruckreiniger in Betrieb nehmen

EN

DA

NO

SV

FI

DE

FR

NL

IT

ES

PT

EL

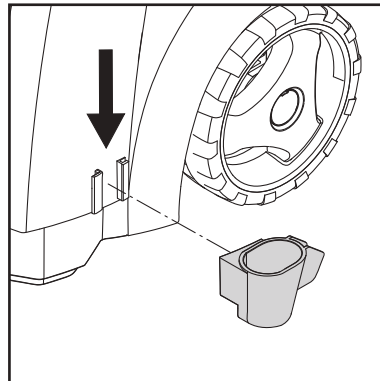
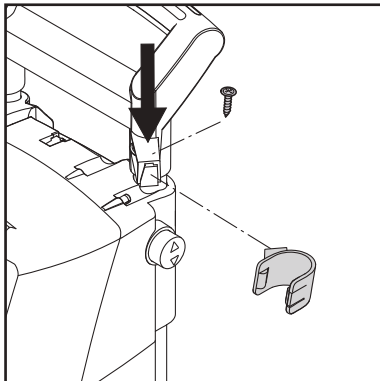
TR

CS

HU

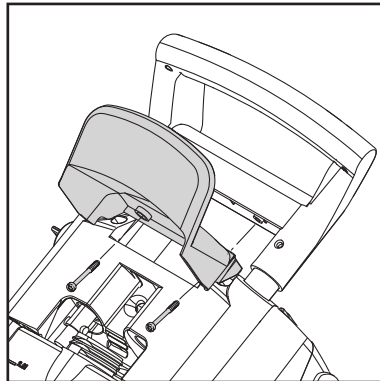
PL

## 4.1 Montage des Sprührohrhalters



Die Sprührohrhalter auf dem Gerät montieren.

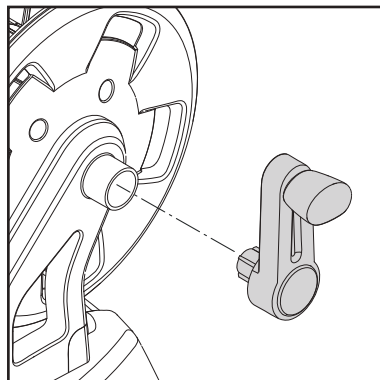
## 4.2 Montage des Schlauchhakens (Modelle ohne Schlauchtrommel)



Den Schlauchhaken (13) auf dem Gerät montieren (2 Schrauben).

**Hinweis:** Der Schlauchhaken kann sowohl auf der Vorderseite als auch auf der Rückseite montiert werden. Er wird an der Vorderseite montiert, falls das Produkt mit einem speziellen Wandhaken für die Wandaufbewahrung verwendet wird.

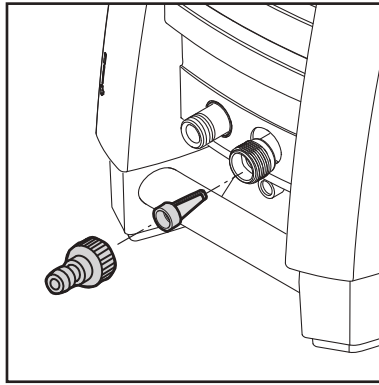
## 4.3 Montage des Schlauchtrommelgriffs (Modelle mit Schlauchtrommel)



Drücken Sie den Schlauchtrommelgriff in den Tragegriff (keine Schrauben)

EN

#### 4.4 Montage der Schnellkupplung



1. Schrauben Sie die Schnellkupplung fest an den Wasserzulauf (2) an.



**Hinweis:** Der Zulauffilter muss immer in das Wasserzulaufrohr eingesetzt sein, grössere Unreinheiten zu entfernen, da diese die Pumpenventile beschädigen können.

**Warnung:** Die Garantie gilt nicht, wenn der Filter nicht eingesetzt ist.

DA

NO

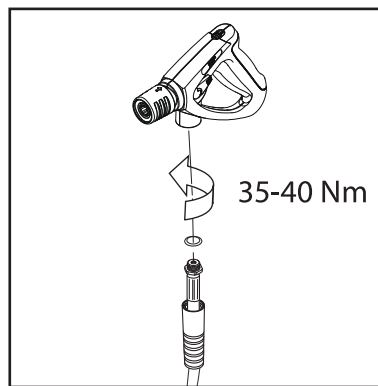
SV

FI

DE

FR

#### 4.5 Montage des Hochdruckschlauches an der Spritzpistole



Den Hochdruckschlauch (4) an der Spritzpistole (7) montieren.

NL

IT

ES

PT

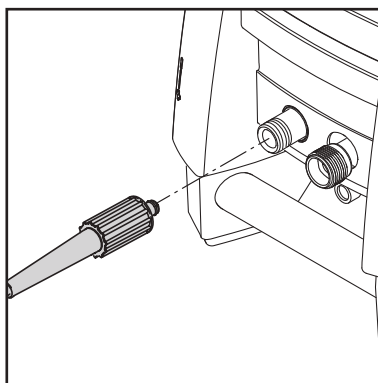
EL

TR

## 5 Betriebsanleitung

CS

#### 5.1 Anschluss des Hochdruckschlauchs



**Modelle ohne Schlauchtrommel:** Den Hochdruckschlauch (4) in den Anschlussstutzen des Gerätes (3) einführen.

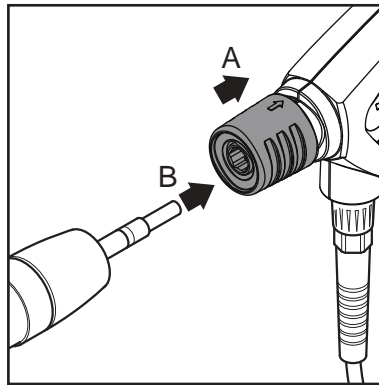
Höchstens einen Verlängerungsschlauch von max. 7 m verwenden.

**Modelle mit Schlauchtrommel:** Den Hochdruckschlauch völlig abwickeln.

HU

PL

## 5.2 Montage des Sprührohrs



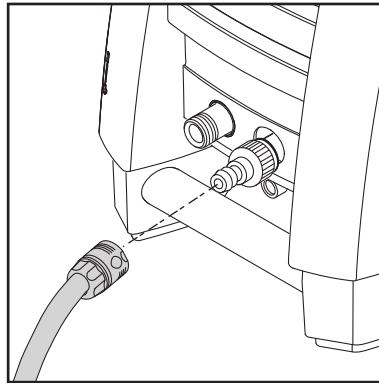
### HINWEIS!

Den Nippel immer von eventuellen Schmutzteilchen säubern, bevor das Sprührohr mit der Spritzpistole verbunden wird.

1. Den blauen Schnellkuppelungsgriff (A) der Spritzpistole nach hinten ziehen.
2. Den Nippel des Sprührohrs (B) in die Schnellkuppelung stecken und diese loslassen.
3. Das Sprührohr (oder den Aufsatz) nach vorne ziehen um sicherzustellen, dass es fest mit der Spritzpistole verbunden ist.

## 5.3 Wasseranschluss

Ein normaler 1/2" Gartenschlauch von **min. 10 m** und **max. 25 m** ist geeignet.



### HINWEIS:

Anschluss an die öffentliche Wasserversorgung laut Bestimmungen.

**WICHTIG!** Es darf nur sauberes Wasser ohne Unreinheiten verwendet werden.

Falls das Risiko von Schwimmsand im Einlasswasser (z.B. von Ihrem Hausbrunnen) besteht, sollte ein zusätzlicher Filter montiert werden.

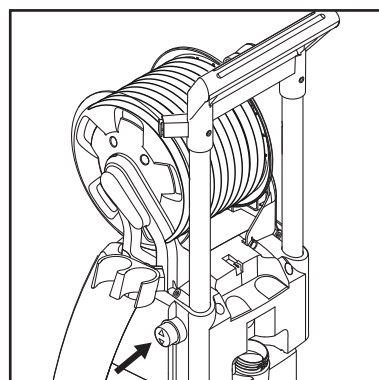
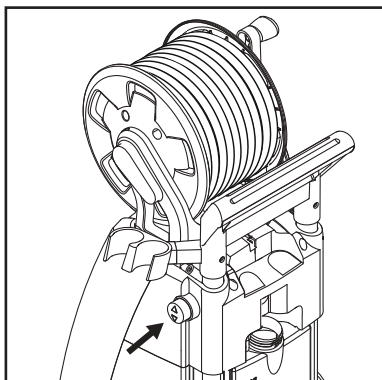
1. Lassen Sie das Wasser durch den Einlassschlauch laufen, bevor Sie ihn an die Maschine anschließen, um zu verhindern, dass Sand und Schmutz in die Maschine eindringen.



**Hinweis:** Vergewissern Sie sich, dass der Filter in das Wassereinlassrohr passt und dass er nicht verstopft ist.

2. Schließen Sie den Wasserschlauch mit dem Schnellanschluss (Zulaufwasser, max. Druck: 10 bar, max. Temperatur: 60 °C) an die Wasserversorgung an.
3. Drehen Sie das Wasser auf.

## 5.4 Teleskopgriff



Das Gerät hat einen Teleskopgriff. Um den Griff zu heben oder senken, die Taste (15) drücken und den Griff aufwärts oder abwärts bewegen. Sicherstellen, dass er einrastet.

EN

DA

NO

SV

FI

DE

FR

NL

IT

ES

PT

EL

TR

CS

HU

PL

EN

DA

NO

SV

FI

DE

FR

NL

IT

ES

PT

EL

TR

CS

HU


PL

### 5.5 Ein- und Ausschalten der Maschine (wenn sie an eine Wasserversorgung angeschlossen ist)



Das Sprührohr ist während des Betriebs einer Schubkraft ausgesetzt. Halten Sie es daher immer fest mit beiden Händen.

**WICHTIG: Halten Sie die Düse so, dass sie zum Boden weist.**

1. Vergewissern Sie sich, dass sich die Maschine in vertikaler Position befindet.  
**HINWEIS:** Stellen Sie die Maschine nicht in hohes Gras!
2. Lösen Sie die Arretierung.
3. Betätigen Sie die Spritzpistole und lassen Sie das Wasser laufen, bis die Luft vollständig aus dem Hochdruckschlauch entwichen ist.
4. Drehen Sie den Ein/Aus-Schalter (1) zu Position .
5. Betätigen Sie die Spritzpistole.

Stellen Sie die Entfernung und damit den Düsendruck immer nach der zu reinigenden Oberfläche ein.

### 5.6 Einschalten der Maschine (wenn sie an offene Behälter angeschlossen ist (Saugmodus))

Der Hochdruckreiniger kann Wasser zum Beispiel aus einem Regenwassertank aufnehmen. Der Schlauch für die Wasserversorgung darf nicht zu lang sein, ca. 5 m.

Achten Sie darauf, dass der Wassertank nicht niedriger steht als die Maschine.

Verwenden Sie einen externen Filter, wenn das Risiko von Unreinheiten besteht.

1. Es muss sichergestellt werden, dass Der Wasserschlauch vor dem Anschluss an die Maschine mit Wasser gefüllt ist.  
Legen Sie den ganzen Wasserschlauch in einen Wassertank oder einen Eimer. Um Verschütten zu vermeiden, den Schlauch unten im

Decken Sie die Maschine nicht zu, solange sie eingeschaltet ist.





**Hinweis:** Wenn Sie weggehen oder die Maschine

länger als 5 Minuten nicht verwenden, muss sie mit dem Ein/Aus-Schalter (1) abgeschaltet werden – Position „O“:

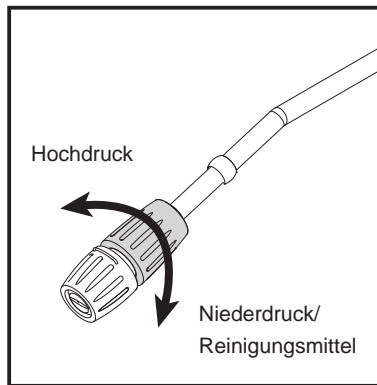
1. Drehen Sie den Ein/Aus-Schalter (1) zu Position „O“.
2. Ziehen Sie den Stecker aus der Steckdose.
3. Drehen Sie den Wasserhahn ab und betätigen Sie die Spritzpistole, um die Maschine vom Druck zu entlasten.
4. Arretieren Sie die Spritzpistole.

Wenn die Spritzpistole geschlossen wird, schaltet sich das Gerät automatisch ab. Die Maschine schaltet sich wieder ein, sobald Sie die Spritzpistole wieder betätigen.

Wasser zusammenfalten und danach den Schlauch an der Maschine mittels der Schnellkupplung anschliessen und schließlich den Wasserschlauch wieder entfalten.

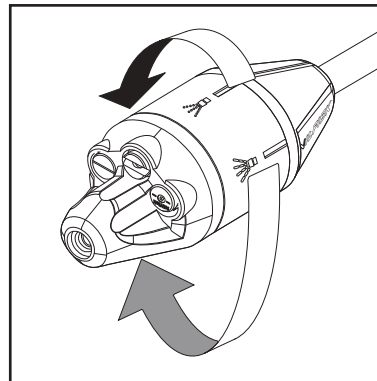
2. Die Spritzpistole, das Sprührohr und die Düse abmontieren.
3. Drehen Sie den Ein/Aus-Schalter zu Position  und lassen Sie das Wasser laufen, bis die gesamte Luft aus dem Wasserschlauch und aus der Pumpe entwichen ist.
4. Drehen Sie den Ein/Aus-Schalter (1) zu Position „O“.
5. Montieren Sie wieder die Spritzpistole und danach das Sprührohr.
6. Drehen Sie den Ein/Aus-Schalter (1) zu Position .
7. Betätigen Sie die Spritzpistole.

## 5.7 Druckregulierung



### Flexopower Plus Düse:

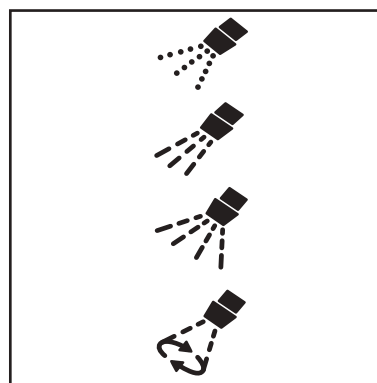
Der Druck kann auf der Flexopower Plus Düse eingestellt werden.



### T- und XT-Modelle:

#### 4-in-1 Düse:

Der Druck kann auf der 4-in-1 Düse eingestellt werden.



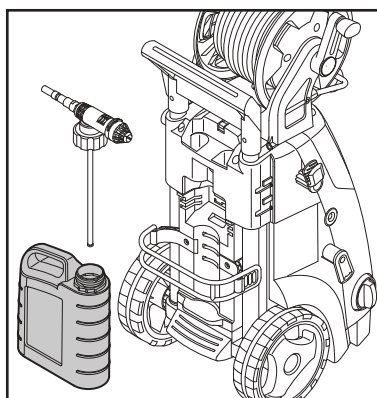
Niederdruck / Reinigungsmittel

Tornado / Hochdruck

Weitwinkel / Hochdruck

Turbohammer / Hochdruck

## 5.8 Betrieb mit Reinigungsmittel



1. Reinigungsmittel in den Behälter füllen.
2. Das Reinigungsmittel von unten nach oben auftragen.
3. Das Reinigungsmittel für die auf der Verpackung des Reinigungsmittels angegebene Zeit einwirken lassen und danach mit klarem Wasser nachspülen, oder eine Bürste verwenden.

EN

DA

NO

SV

FI

DE

FR

NL

IT

ES

PT

EL

TR

CS

HU

PL

EN

## 5.9 Druck-/Wassermengenregulierung (nur Modelle mit Druck-/Wassermengenregler)

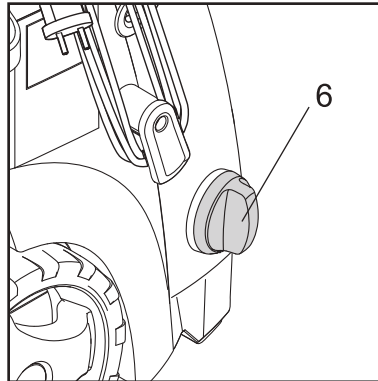
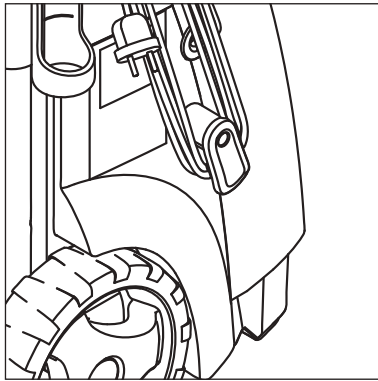
DA

NO

SV

FI

DE



Am Gerät können Arbeitsdruck und Wassermenge durch Drehen des Druck-/Wassermengenreglers (6) eingestellt werden.

FR

NL

# 6 Anwendungsbereiche und Arbeitsmethoden

IT

ES

## 6.1 Allgemein

Um mit Ihrem Hochdruckreiniger gute Ergebnisse zu erzielen, müssen Sie einige Richtlinien einhalten und Ihre persönlichen Erfahrungen mit spezifischen Reinigungsaufgaben beachten. Richtig ausgewählte Zubehörteile und Putzmittel können die Leistungskraft Ihres Hochdruckreinigers verbessern. Es folgen einige grundlegende Reinigungsinformationen.

PT

EL

### 6.1.1 Reinigungsmittel und Schaum

Schaum oder Reinigungsmittel sollten auf trockene Oberflächen aufgebracht werden, so dass das chemische Produkt den Schmutz direkt angreifen kann. Reinigungsmittel werden zum Beispiel auf Autokarosserien von unten nach oben aufgebracht, um „super-saubere“ Bereiche zu vermeiden, in denen sich das Reinigungsmittel in höheren Konzentrationen sammelt und nach unten fließt. Lassen Sie das Reinigungsmittel vor dem Abspülen einige Minuten lang einwirken, aber lassen Sie es auf der gereinigten Oberfläche niemals trocknen. **Hinweis:** Es ist wichtig, dass Reinigungsmittel nicht eintrocknen. Andernfalls könnte die zu reinigende Oberfläche beschädigt werden.

CS

HU

PL

### 6.1.2 Mechanische Wirkung

Um hartnäckige Schmutzschichten aufzubrechen, muss eventuell eine zusätzliche mechanische Kraft eingesetzt werden. Spezielle Waschbürsten bieten eine zusätzliche Auswirkung, die hartnäckiger Schmutz, Verkehr Film u.dgl. entfernt.

# 7 Nach der Verwendung Ihres Hochdruckreinigers

EN

DA

NO

SV

FI

DE

FR

NL

IT

ES

PT

EL

TR

CS

HU

PL

## 7.1 Aufbewahren des Hochdruckreinigers



### Die Maschine muss frostfrei aufbewahrt werden!

Bevor die Maschine beiseite gestellt wird, sind Pumpe, Schlauch und Zubehör von Wasser zu entleeren.

1. Maschine ausschalten (Drehschalter (1) in Pos. „0“) und Wasserschlauch und Zubehör abmontieren.
2. Maschine wieder einschalten und Spritzpistole betätigen bis kein Wasser mehr austritt.
3. Maschine ausschalten. Netzstecker ziehen. Die elektrische Anschlußleitung um die Haken an der Seite der Maschine wickeln.
4. Die Spritzpistole und das Sprührohr zertrennen.
5. **Modelle ohne Schlauchtrommel:** Den Hochdruckschlauch

abmontieren und ihn aufgerollt über den Schlauchbügel anbringen.

**Modelle mit Schlauchtrommel:** Den Hochdruckschlauch auf den Schlauchtrommel aufrollen.

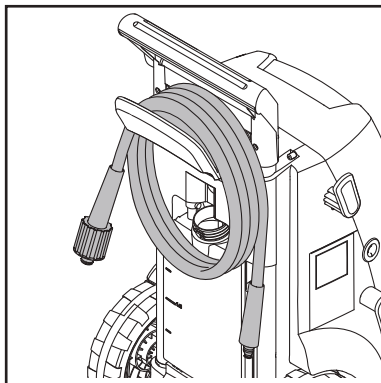
4. Spritzpistole, Düsen und anderes Zubehör in den Haltern am Gerät anbringen.

Falls Gerät oder Zubehör aus Versehen eingefroren sind, es tauen lassen und überprüfen, dass keine Beschädigungen entstanden sind.

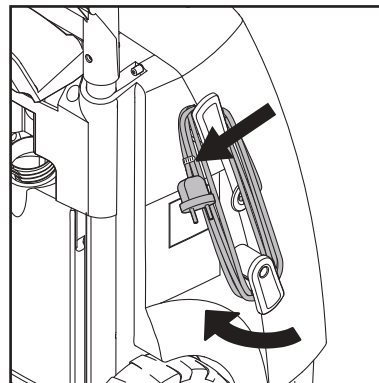
**Nie ein eingefrorenes Gerät in Betrieb setzen.**

**Frostschäden fallen nicht unter Garantie.**

## 7.2 Aufwickeln des Stromkabels und des Hochdruckschlauchs



Um Unfälle zu vermeiden, sollten das Stromkabel und

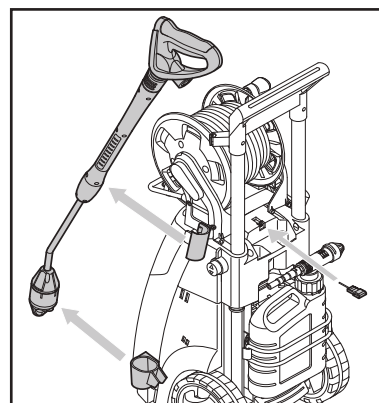


der Hochdruckschlauch immer sorgfältig aufgewickelt werden.

1. Wickeln Sie das Stromkabel auf die dedizierten Haken auf. Eingebaute Klammer für gute Befestigung. Der untere Haken kann für leichtere Freimachung des Stromkabels gedreht werden.

2. Der Hochdruckreiniger wird in zwei Modellen ausgeführt: A) mit einem Haken für die Aufbewahrung des Hochdruckschlauchs (13) – B) mit einem Schlauchtrommel (12).

## 7.3 Lagerung der Zubehörteile



Die Standardzubehörteile (Spritzpistole, Sprührohr (A) und Düsenreinigungswerkzeug) können auf dem Hochdruckreiniger gelagert werden.

EN

# 8 Wartung

DA

NO

SV

FI

DE

FR

NL

IT

## 8.1 Reinigung des Wasserzulauf filters

ES

PT

EL

TR

CS

HU

PL



**WARNUNG!** Ziehen Sie immer den Netzstecker, bevor Sie Wartungs- oder Reinigungsarbeiten durchführen.

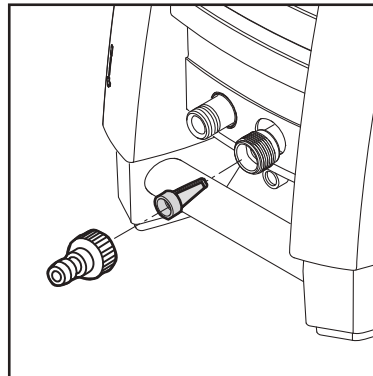
Für eine lange, problemfreie Lebensdauer empfehlen wir Folgendes:

- Waschen Sie den Wasser-schlauch, den Hochdruck-schlauch, das Sprührohr und die Zubehörteile vor Montage.

- Entfernen Sie Staub und Sand von den Anschlüssen.
- Reinigen Sie die Düsen.

Reparaturen sollten immer in einer autorisierten Werkstatt mit Originalersatzteilen durchgeführt werden.

Reinigen Sie den Wasserzulauffilter je nach vorgesehenem Verwendungszweck regelmäßig einmal pro Monat oder öfter.



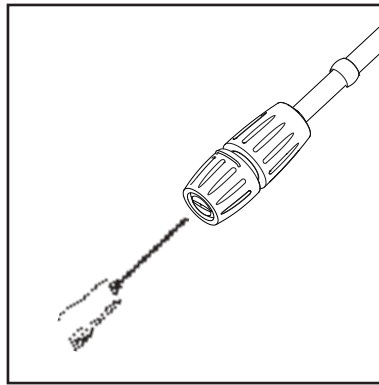
Lockern Sie den Filter sorgfältig mit einer Zange und reinigen Sie ihn. Vergewissern Sie sich, dass er intakt ist, bevor Sie ihn wieder einsetzen.

Der Zulauffilter muss immer in das Wasserzulaufrohr eingesetzt sein, um verschiedene Verunreinigungen zu entfernen, da diese die Pumpenventile beschädigen können.

**VORSICHT:** Die Garantie gilt nicht, wenn der Filter nicht eingesetzt ist.



## 8.2 Reinigung der Düse



Eine verstopfte Düse bewirkt, dass der Pumpendruck zu stark ansteigt. Deshalb muss eine verstopfte Düse sofort gereinigt werden.

1. Schalten Sie das Gerät ab und nehmen Sie die Düse ab.
2. Reinigen Sie die Düse.  
**WICHTIG:** Das Reinigungswerkzeug (11) sollte nur bei abgenommener Düse verwendet werden!
3. Spülen Sie die Düse in verkehrter Richtung mit Wasser.

## 8.3 Reinigung der Lüftungsöffnungen

Die Maschine sollte immer sauber sein, so dass die Kühlluft frei durch die Lüftungsöffnungen zirkulieren kann.

## 8.4 Schmieren der Kupplungen

Die Kupplungen sollten regelmäßig geschmiert werden, damit sie sich gut anschließen lassen und damit die O-Ringe nicht austrocknen.

EN

DA

NO

SV

FI

DE

FR

NL

IT

ES

PT

EL

TR

CS

HU

PL

EN

# 9 Fehlerbehebung

DA

NO

Um unnötige Enttäuschungen zu vermeiden, sollten Sie Folgendes überprüfen, bevor Sie die Nilfisk Serviceorganisation kontaktieren:

SV

FI

DE

FR

NL

IT

ES

PT

EL

TR

CS

HU

PL

Problem	Ursache	Empfohlene Maßnahme
<b>Gerät lässt sich nicht einschalten</b>	Gerät ist nicht eingesteckt Schadhafte Steckdose Sicherung durchgebrannt  Schadhaftes Verlängerungskabel	Stecken Sie das Gerät ein. Probieren Sie eine andere Steckdose. Tauschen Sie die Sicherung aus. Schalten Sie andere Maschinen aus. Versuchen Sie es ohne Verlängerungskabel.
<b>Schwankender Druck</b>	Pumpe saugt Luft an  Ventile schmutzig, abgenutzt oder festgeklebt  Abgenutzte Pumpendichtung	Vergewissern Sie sich, dass Schläuche und Anschlüsse luftdicht sind. Reinigen Sie die Ventile und tauschen Sie sie aus oder wenden Sie sich an Ihren lokalen Nilfisk-Händler. Reinigen Sie die Pumpendichtung und tauschen Sie sie aus oder wenden Sie sich an Ihren lokalen Nilfisk-Händler.
<b>Motor summt</b>	Niedrige Spannung oder niedrige Temperatur	Betätigen Sie die Spritzpistole.
<b>Maschine schaltet sich aus</b>	Sicherung durchgebrannt  Falsche Netzspannung  Wärmesensor aktiviert  Düse teilweise blockiert	Tauschen Sie die Sicherung aus. Schalten Sie andere Maschinen aus. Vergewissern Sie sich, dass die Netzspannung den Spezifikationen auf dem Modellschild entspricht. Lassen Sie die Maschine 5 Minuten lang abkühlen. Reinigen Sie die Düse (siehe Punkt 7.2).
<b>Sicherung brennt durch</b>	Sicherung zu klein	Durch eine Sicherung austauschen, die stärker ist als der Ampereverbrauch des Geräts. Ohne Verlängerungskabel versuchen.
<b>Maschine pulsiert</b>	Luft in Zulaufschlauch/ Pumpe  Unzureichende Wasserversorgung  Düse teilweise blockiert Wasserfilter blockiert Schlauch geknickt	Lassen Sie die Maschine mit aktivierter Spritzpistole laufen, bis der reguläre Arbeitsdruck wieder hergestellt ist. Vergewissern Sie sich, dass die Wasserversorgung den vorgeschriebenen Spezifikationen entspricht (siehe Modellschild). <b>ACHTUNG!</b> Verwenden Sie keine langen, dünnen Schläuche (min. 1/2"). Reinigen Sie die Düse (siehe Punkt 7.2). Reinigen Sie den Filter (siehe Punkt 7.1). Ziehen Sie den Schlauch gerade.
<b>Die Maschine schaltet sich ständig ein und wieder aus</b>	Spritzpistole ist leak	Kontaktieren Sie Ihr nächstgelegenes Nilfisk Service Center. Sitz/Kugel/O-ring im Ventil der Spritzpistole austauschen.
<b>Maschine startet, aber kein Wasser kommt heraus</b>	Pumpe/Schläuche oder Zubehörteile eingefroren Keine Wasserversorgung Wasserfilter blockiert Düse blockiert	Warten Sie, bis die Pumpe/Schläuche oder Zubehörteile abgetaut sind. Schließen Sie die Wasserversorgung an. Reinigen Sie den Filter (siehe Punkt 7.1). Reinigen Sie die Düse (siehe Punkt 7.2).
<b>Druckabfall</b>	Druck-/Wassermengenregulierknopf nicht korrekt eingestellt	Auf gewünschten Arbeitsdruck einstellen.

Falls andere Probleme als die oben angeführten auftreten, kontaktieren Sie bitte Ihren lokalen Nilfisk Händler.

# 10 Weitere Informationen

## 10.1 Garantiebedingungen

Wenn Sie Service und Wartung benötigen, wenden Sie sich bitte an Ihren Händler.

# 11 Technische Daten

Typ		MC2C-60/520 XT US-CAN	MC2C-80/520 T	MC2C-120/520 T	MC2C-120/520 XT	MC2C-140/610 XT	MC2C-140/610 P	MC2C-150/650	MC2C-140/650 (EXPT)	MC2C-150/650 XT
Arbeitsdruck	bar/MPa	60/6,0	80/8,0	120/12	120/12	140/14	140/14	150/15	140/14	150/15
Reinigungs- auswirkung	kg/Kraft	2	2	2,2	2,2	2,5	2,5	2,9	2,9	2,9
Durchflußmenge	Qmax/ QIEC l/min.	2,3/2,2 gallon	8,7/8,2	8,7/7,8	8,7/7,8	10,2/9,0	10,2/9,0	10,8/9,5	10,8/9,5	10,8/9,5
Netzspannung/ Phasen/ Frequenz/Strom	V/-/Hz/A	120/1/ 60/15	115-127/1/ 60/15	230/1/ 50/10	230/1/ 50/10	230/1/ 50/12,6	230/1/ 50/12,6	230/1/ 50/14,5	220/1/ 60/14,5	230/1/ 50/14,5
Max. Wasser- zulauftemperatur	°C	60	60	60	60	60	60	60	60	60
Stromkabel	m	10	5	5	5	5	5	5	5	5
Pumpe	Umdr./ Min.	3400	3400	2800	2800	2800	2800	2800	3400	2800
Düsengröße	1/8"	0,475	0,475	0,340	0,340	0,340	0,370	0,340	0,350	0,340
Schalldruckpegel LpA	dB(A)	72 ±2	72 ±2	72 ±2	72 ±2	72 ±2	72 ±2	72 ±2	72 ±2	72 ±2
Schallleistungs- pegel LwA	dB(A)	89	86	86	86	86	86	88	88	88
Vibrationen	m/s <sup>2</sup>	< 2,5	< 2,5	< 2,5	< 2,5	< 2,5	< 2,5	< 2,5	< 2,5	< 2,5
Gewicht	kg	28,6	27,3	27,3	28,1	28,1	28,1	26,3	26,3	28,1

EN

DA

NO

SV

FI

DE

FR

NL

IT

ES

PT

EL

TR

CS

HU

PL

EN

# 12 EG/EU-Konformitätserklärung

DA

Wir,

NO

Nilfisk A/S  
Marmorvej 8  
2100 Copenhagen Ø  
DÄNEMARK

SV

erklären hiermit, dass das

FI

Produkt: HPW – Professional – Mobile – EI – CW  
Beschreibung: 230 V, 50 Hz, IPX5  
Typ: MC2C-120/520 T, -120/520 XT, -140/610 XT, -150/650 XT, -140/650 EXPT

DE

den folgenden Normen entspricht:

FR

EN 60335-1:2012+A11:2014+A13:2017+A1:2019+A14:2019+A2:2019+A15:2021+A16:2023  
EN 60335-2-79:2012

NL

EN 55014-1:2021  
EN 55014-2:2021  
EN 61000-3-2:2019+A1:2021

IT

EN 61000-3-11:2019  
EN 63000:2018

ES

Konformität mit den folgenden Richtlinien:

PT

2006/42/EG  
2014/30/EU  
2011/65/EU

EL

2000/14/EG – Konformitätsbewertungsverfahren gemäß Anhang V.  
– Gemessener Schallleistungspegel: 86-88 dB(A); Garantierter Schallleistungspegel: 89-91 dB(A)

TR

Broendby, 2024-01-02

*Weihsua (Warner) Guo*

CS

Warner Guo, VP R&D, Head of Competence Center APAC • R&D

HU

PL

# Table des matières

<b>1</b>	<b>Introduction.....</b>	<b>126</b>
1.1	<i>Symboles utilisés pour le signalement des instructions.....</i>	<i>126</i>
<b>2</b>	<b>Mesures de sécurité et techniques de travail .....</b>	<b>126</b>
<b>3</b>	<b>Description.....</b>	<b>133</b>
3.1	<i>Application .....</i>	<i>133</i>
3.2	<i>Éléments de fonctionnement et vue d'ensemble du modèle .....</i>	<i>133</i>
<b>4</b>	<b>Avant d'utiliser votre laveuse à pression.....</b>	<b>134</b>
4.1	<i>Montage des supports pour lance de pulvérisation .....</i>	<i>134</i>
4.2	<i>Montage du crochet de tuyau (modèles sans dévidoir tuyau seulement).....</i>	<i>134</i>
4.3	<i>Montage de la poignée de dévidoir (modèles pourvus de dévidoir tuyau) .....</i>	<i>134</i>
4.4	<i>Montage du raccord rapide .....</i>	<i>135</i>
4.5	<i>Montage du tuyau haute pression sur le pistolet pulvérisateur.....</i>	<i>135</i>
<b>5</b>	<b>Mode d'emploi de votre laveuse à pression .....</b>	<b>135</b>
5.1	<i>Connexion du tuyau haute pression .....</i>	<i>135</i>
5.2	<i>Montage de la lance de pulvérisation .....</i>	<i>136</i>
5.3	<i>Connexion à l'eau.....</i>	<i>136</i>
5.4	<i>Poignée télescopique .....</i>	<i>136</i>
5.5	<i>Démarrage et arrêt de la machine (connectée à l'alimentation en eau).....</i>	<i>137</i>
5.6	<i>Démarrage de la machine (reliée à des récipients ouverts (en mode d'aspiration)).....</i>	<i>137</i>
5.7	<i>Réglage de la pression.....</i>	<i>138</i>
5.8	<i>Fonctionnement avec des détergents.....</i>	<i>138</i>
5.9	<i>Réglage de la pression/ du volume d'eau (uniquement pour les modèles dotés d'un bouton de réglage de la pression et du débit d'eau).....</i>	<i>139</i>
<b>6</b>	<b>Applications et méthodes de travail .....</b>	<b>139</b>
6.1	<i>Généralités .....</i>	<i>139</i>
<b>7</b>	<b>Après utilisation de votre laveuse à pression .....</b>	<b>140</b>
7.1	<i>Rangement de la laveuse.....</i>	<i>140</i>
7.2	<i>Enroulement du câble électrique et du tuyau haute pression.....</i>	<i>140</i>
7.3	<i>Rangement des accessoires .....</i>	<i>141</i>
<b>8</b>	<b>Maintenance.....</b>	<b>141</b>
8.1	<i>Nettoyage du filtre d'entrée d'eau.....</i>	<i>141</i>
8.2	<i>Nettoyage de la buse.....</i>	<i>142</i>
8.3	<i>Nettoyage des bouches d'aération de la machine.....</i>	<i>142</i>
8.4	<i>Graissage des raccords.....</i>	<i>142</i>
<b>9</b>	<b>Diagnostic des pannes .....</b>	<b>143</b>
<b>10</b>	<b>Plus d'informations .....</b>	<b>144</b>
10.1	<i>Conditions de la garantie .....</i>	<i>144</i>
<b>11</b>	<b>Données techniques principales .....</b>	<b>144</b>
<b>12</b>	<b>Déclaration CE/UE de conformité .....</b>	<b>145</b>

EN

DA

NO

SV

FI

DE

**FR**

NL

IT

ES

PT

EL

TR

CS

HU

PL

# 1 Introduction

EN

## 1.1 Symboles utilisés pour le signalement des instructions

DA

Tous les pictogrammes présents sur le nettoyeur haute pression et ses composants sont présentés et expliqués dans le présent manuel.

NO



Il y a lieu de respecter les consignes de sécurité indiquées par ce symbole afin de prévenir toute blessure aux personnes ou dégâts matériels graves.

SV



Soyez particulièrement prudent lorsqu'il existe un risque d'endommagement de la machine ou de ses composants.

FI

DE



Ce symbole signale les conseils et instructions qui simplifient le travail et garantissent une utilisation sûre du nettoyeur haute pression.

FR

## 2 Mesures de sécurité et techniques de travail

NL



Veuillez lire attentivement ce manuel d'utilisation avant la première utilisation de votre machine. Conservez les instructions pour consultation ultérieure.

IT



### Attention !

ES

PT

EL

TR

CS

HU

PL

- L'inhalation d'aérosols peut être dangereuse pour la santé. Lorsque cela s'applique, utilisez un dispositif adapté (par exemple un écran couvrant la buse) pour prévenir ou réduire la formation d'aérosols. Portez un masque respiratoire de classe FFP 2 ou plus élevée pour vous protéger des aérosols.
- La pression d'eau élevée générée par la machine ainsi que l'alimentation électrique représentent des sources particulières de danger.
- Les machines ne doivent pas être utilisées par des enfants ou du personnel non formé. Les enfants devront être surveillés pour faire en sorte qu'ils ne jouent pas avec la machine.
- Ne pas utiliser la machine à proximité de personnes qui ne portent pas de vêtements de protection.
- Avant de démarrer votre machine, contrôlez systématiquement et soigneusement l'absence de défaut. Si vous constatez un défaut, ne démarrez pas la machine et contactez votre distributeur Nilfisk. L'isolation du câble électrique ne doit présenter ni dommage ni fissure. Si le câble électrique est endommagé, faites-le réparer par un distributeur agréé Nilfisk.

- Débranchez toujours le câble d'alimentation de la prise de courant pendant le nettoyage ou la maintenance, quand vous remplacez des pièces ou si vous affectez la machine à une autre fonction.
- Respectez les règles de sécurité nationales imposées par exemple par le groupement des assurances de responsabilité des employeurs, les institutions de sécurité sociale, les autorités de sécurité et de santé au travail et les autres organisations.

EN

DA

NO

SV

FI

DE

FR

NL

IT

ES

PT

EL

TR

CS

HU

PL



### **Accessoires et pièces de rechange**

- Pour assurer la sécurité de la machine, utilisez uniquement des pièces de rechange Nilfisk originales ou approuvées par Nilfisk.
- Les flexibles, raccords et accouplements haute pression sont importants pour la sécurité de la machine. Utilisez exclusivement les flexibles, raccords et accouplements recommandés par Nilfisk.



### **État physique, sensoriel ou mental**

- Cette machine n'est pas destinée à être utilisée par des personnes (enfants inclus) aux capacités physiques, sensorielles ou mentales réduites, ou manquant d'expérience ou de connaissances. Si la machine est utilisée par des personnes aux capacités physiques, sensorielles ou mentales réduites, ou manquant d'expérience et de connaissances, ces personnes doivent avoir bénéficié d'une supervision et d'instructions quant à l'utilisation de la machine en toute sécurité et doivent comprendre les risques encourus.



### **Applications**

Cette machine a été développée pour un usage domestique et professionnel tel que :

- Usage domestique : voiture, moto, bateau, caravane, remorque, terrasse/voiture/meuble, tondeuse à gazon.
- Usage professionnel : nettoyage des surfaces, des voitures, des camions, des bateaux, des outils et des équipements.

EN

DA

NO

SV

FI

DE

FR

NL

IT

ES

PT

EL

TR

CS

HU

PL

Toute autre utilisation est considérée comme une utilisation inappropriée. Nilfisk décline toute responsabilité pour tout dommage résultant d'une telle utilisation. Le risque d'une telle utilisation relève exclusivement de l'utilisateur. L'utilisation appropriée comprend également le bon fonctionnement, l'entretien et les réparations comme spécifiés dans ces instructions.

### Vêtements et équipement

Prenez toujours les mesures nécessaires pour vous protéger lorsque vous utilisez la machine.

- Portez des chaussures avec des semelles antidérapantes.
- Portez des lunettes, une protection auditive et des vêtements de protection lorsque vous faites fonctionner la machine.



### Transport du nettoyeur haute pression

- Lorsque vous transportez la machine dans un véhicule, sécurisez-la à l'aide par exemple de sangle, afin d'éviter qu'elle ne glisse ou bascule.
- Nilfisk vous recommande de placer la machine à l'horizontale et sur la face arrière lorsque vous la transportez dans un véhicule.



### Détergents

- Cette machine a été conçue pour une utilisation avec les décapants fournis ou recommandés par Nilfisk. L'utilisation d'autres décapants ou produits chimiques peut avoir un effet négatif sur le fonctionnement de la machine.



### Avant de commencer le travail

#### Inspection de la machine

- N'utilisez pas la machine si le câble d'alimentation ou d'autres éléments importants de la machine sont endommagés, par exemple le dispositif de sécurité, le flexible haute pression, la poignée gâchette et les accessoires de pulvérisation.
- La gâchette de la poignée gâchette doit pouvoir être actionnée facilement et retourner dans sa position d'origine une fois relâchée.



- Le flexible haute pression et les accessoires de pulvérisation doivent toujours être en bon état (propres, mouvement aisé) et assemblés correctement.



## Raccordement électrique

### Attention !

Minimisez le risque de choc électrique.

- La tension et la fréquence de la machine (voir plaque signalétique) doivent correspondre à la tension et à la fréquence de l'alimentation principale.
- Connectez la machine uniquement à une installation électrique réalisée par un électricien certifié et conforme à la norme CEI 60364-1.
- L'alimentation électrique de la machine devrait inclure un dispositif de courant résiduel qui interrompra l'alimentation si une fuite à la terre de plus de 30 mA pour 30 ms est détectée.
- Utiliser des fusibles de démarrage/temporisés de type C ou D, selon la norme IEC/EN 60898-1 / IEC 947-2 ou les normes correspondantes hors IEC.
- En raison de la forte consommation d'énergie de la machine, un fusible secteur approprié est nécessaire.
- Des câbles de rallonge inadaptés peuvent présenter une source de danger. Si un câble de rallonge est utilisé, il devra convenir pour une utilisation en plein air, et le raccordement doit être gardé au sec et ne doit pas reposer à terre.
- Nilfisk recommande l'utilisation d'un câble de rallonge sur enrouleur afin que la prise se trouve toujours au moins à 60 mm au-dessus du niveau du sol.
- Si le câble électrique est endommagé, il doit être remplacé par un distributeur Nilfisk agréé ou une personne qualifiée similaire afin de prévenir tout risque.
- L'impédance maximale autorisée pour la connexion du nettoyeur haute pression à l'installation électrique et de 0,4023  $\Omega$  ( $Z_{max}$ ). Contactez votre fournisseur d'électricité pour vous assurer que l'équipement est connecté à une alimentation de cette impédance ou inférieure.

EN

DA

NO

SV

FI

DE

FR

NL

IT

ES

PT

EL

TR

CS

HU

PL

EN

DA

NO

SV

FI

DE

FR

NL

IT

ES

PT

EL

TR

CS

HU

PL



## Raccordement à l'eau

- Il vous est uniquement permis de raccorder ce nettoyeur haute pression aux prises principales d'eau potable si un dispositif anti-refoulement approprié a été installé (type BA selon EN 60335-2-79).
- Le dispositif anti-refoulement peut être commandé sous les références 106411177.
- Dès que l'eau a franchi le dispositif anti-refoulement, elle sera considérée comme de l'eau non potable.
- Le fonctionnement par aspiration (par exemple depuis un réservoir d'eau de pluie) est effectué sans dispositif anti-refoulement – voir « **Raccordement à une alimentation en eau sous-pressurisée** ». La machine peut être raccordée à une prise d'eau présentant une pression d'entrée maximale de 1 MPa / 10 bars et une température maximale de 60 °C.

## Dispositifs de sécurité

### Dispositif de verrouillage de la poignée gâchette :

- La poignée gâchette est équipée d'un dispositif de verrouillage. Lorsque le cliquet est enclenché, la poignée gâchette ne peut pas être mise en service.

### Capteur thermique :

- Auto-réinitialisation  
Un capteur thermique protège le moteur contre les surcharges. La machine redémarrera après quelques minutes lorsque le capteur thermique aura refroidi.
- Sans réinitialisation automatique (uniquement pour le modèle MC2C US)  
Une opération manuelle de réinitialisation est nécessaire. Le fonctionnement manuel signifie la déconnexion de l'appareil du réseau d'alimentation.



### Attention :

Afin d'éviter un danger dû à une réinitialisation intempestive du coupe-circuit thermique, cet appareil ne doit pas être alimenté par un dispositif de commutation externe, tel qu'une minuterie, ou connecté à un circuit régulièrement allumé et éteint par le service public.

## Dispositif de sécurité relatif à la pression :

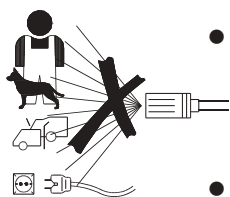
- Une soupape de sécurité hydraulique intégrée protège le système d'une pression excessive.



## Pendant l'utilisation

### Attention !

- Il est interdit de nettoyer sous haute pression la surface d'éléments renfermant de l'amiante.
- Risque d'explosion – ne pas vaporiser des liquides inflammables à proximité.
- N'aspirez jamais des liquides contenant des solvants (par exemple de l'essence, du fioul, du diluant pour peinture ou de l'acétone). Ces substances endommagent le matériau utilisé à l'intérieur de la machine. Les vapeurs sont fortement inflammables, explosives et toxiques.
- Ne dirigez jamais le jet d'eau vers vous-même, vers d'autres personnes et n'essayez jamais de nettoyer des vêtements ou chaussures – **risque de blessure.**
- Ne dirigez jamais le jet d'eau vers des animaux de compagnie ou d'autres espèces.
- Ne dirigez jamais le jet vers l'équipement sous tension de la machine – **risque de court-circuit.**
- La lance de pulvérisation subit une poussée de 27,4 N et un couple soudain lors de l'activation de la gâchette de la poignée gâchette pendant l'opération.
- Le nettoyeur haute pression ne doit pas être utilisé lorsque la température est inférieure à 0 °C.
- Ne démarrez jamais une machine gelée. Les dommages causés par le gel ne sont pas couverts par la garantie !
- Veillez toujours à porter des chaussures stables et sûres.
- La machine doit être utilisée en position verticale.
- Si la machine n'est pas utilisée pendant plusieurs minutes, vous devez l'arrêter à l'aide du contrôleur marche/arrêt « **O** » (1).



EN

DA

NO

SV

FI

DE

FR

NL

IT

ES

PT

EL

TR

CS

HU

PL

EN

DA

NO

SV

FI

DE

FR

NL

IT

ES

PT

EL

TR

CS

HU

PL



## Après l'utilisation

### Attention !

- Coupez toujours la machine et débranchez-la une fois le travail terminé ou lorsque vous laissez la machine sans surveillance.
- Débranchez le flexible de l'alimentation d'eau entre la machine et l'alimentation d'eau.
- Enroulez le câble électrique et le flexible haute pression afin d'éviter d'endommager le câble, la prise, le flexible haute pression et les fixations.
- Vidangez toujours l'eau qui se trouve dans la pompe, le flexible et les accessoires de la machine avant de l'entreposer.



## Maintenance et réparations

### Attention !

- Débranchez toujours la prise avant de procéder à des travaux de maintenance, de nettoyage et de réparation.
- Débranchez le flexible de l'alimentation d'eau entre la machine et l'alimentation d'eau.
- Si la machine ne démarre pas, s'arrête ou vibre, si la pression fluctue, si le moteur saccade, si le fusible grille ou si aucune eau ne coule, consultez le schéma Diagnostique des problèmes de ce mode d'emploi. En cas d'autres problèmes, contactez votre distributeur Nilfisk local.
- Le nettoyage et la maintenance utilisateur ne doivent pas être confiés à des enfants sans surveillance.



## Mise au rebut correcte de ce produit

Ce marquage indique que le produit ne doit pas être jeté avec les ordures ménagères dans les pays européens. Pour prévenir tout risque pour l'environnement et la santé des personnes lié à une mise au rebut incorrecte, procéder au recyclage afin de promouvoir la revalorisation des ressources. Pour mettre un appareil usagé au rebut, se rendre dans un centre de collecte agréé à cet effet ou contacter le revendeur du produit. Celui-ci pourra reprendre l'appareil afin de le recycler de manière écologique.

# 3 Description

EN

DA

NO

SV

FI

DE

**FR**

NL

IT

ES

PT

EL

TR

CS

HU

PL

## 3.1 Application

La laveuse à haute pression a été conçue pour le nettoyage quotidien semi-professionnel.

– *Travaux réalisés par des artisans professionnels, nettoyage de véhicules, bateaux, caravanes ou petits travaux de nettoyage dans les secteurs du bâtiment et de la construction*

La section 6 traite de l'utilisation de la laveuse à haute pression

pour différentes tâches de nettoyage.

La laveuse à haute pression ne doit pas servir à d'autres applications que celles décrites dans ce manuel.

Veillez respecter scrupuleusement les mesures de sécurité pour écarter tout risque d'endommager la machine ou la surface à traiter ainsi que de lésions corporelles graves.

## 3.2 Eléments de fonctionnement et vue d'ensemble du modèle



Voir illustration en fin du manuel.

- 1 Contrôleur marche/arrêt
- 2 Entrée d'eau (avec filtre)
- 3 Connexion haute pression (modèles sans dévidoir tuyau seulement)
- 4 Tuyau haute pression
- 5 Câble électrique
- 6 Réglage de la pression / du volume d'eau (pas de série)
- 7 Pistolet pulvérisateur Ergo 2000 avec verrouillage
- 8 Lance Flexopower Plus
- 9 Lance de pulvérisation 4-en-1 (modèles T et XT)
- 10 Réservoir démontable pour détergents

11 Outil de nettoyage pour buse

12 Dévidoir tuyau

13 Crochet pour tuyau (modèles sans dévidoir tuyau seulement)

14 Plaque de modèle

15 Bouton pour poignée télescopique

16 Poignée de chariot (poignée télescopique)

17 Crochet de câble enroulable

**Spécifications :** Voir plaque de modèle (14) de la machine.

Nous nous réservons le droit de modifier ces spécifications.

EN

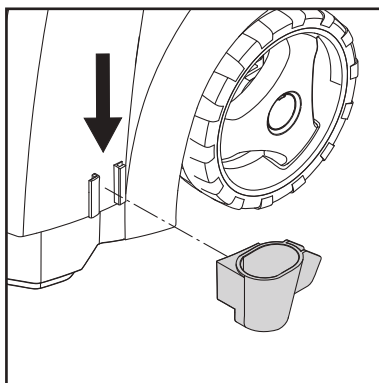
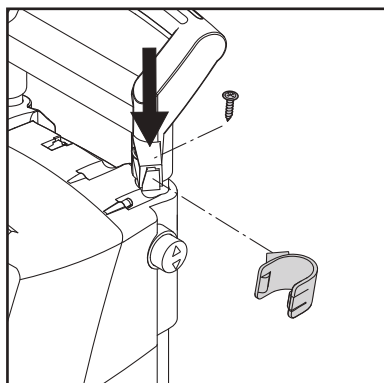
## 4 Avant d'utiliser votre laveuse à pression

DA

NO

### 4.1 Montage des supports pour lance de pulvérisation

SV



Montez les supports pour lance de pulvérisation sur la machine.

FI

DE

FR

NL

IT

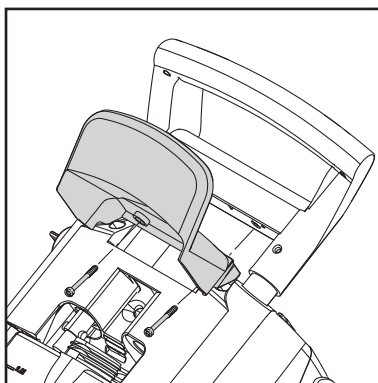
### 4.2 Montage du crochet de tuyau (modèles sans dévidoir tuyau seulement)

ES

PT

EL

TR



Montez le crochet de tuyau (13) sur la machine (avec 2 vis).

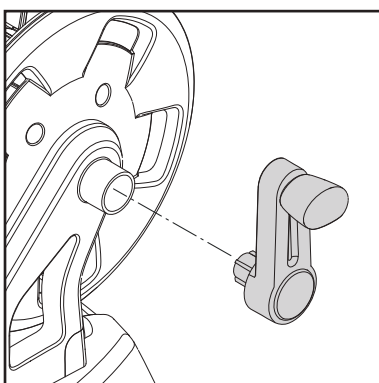
**Remarque :** Le crochet de tuyau peut être monté aussi bien sur la face avant que sur la face arrière. Il convient de le monter sur la face avant si le produit est censé être suspendu au mur à l'aide d'un crochet mural spécial.

CS

### 4.3 Montage de la poignée de dévidoir (modèles pourvus de dévidoir tuyau)

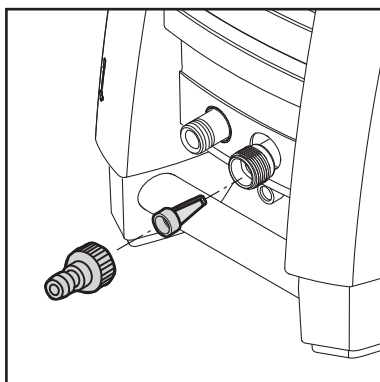
HU

PL



Enfoncez la poignée du dévidoir tuyau dans la poignée de chariot jusqu'au clic (aucune vis nécessaire).

#### 4.4 Montage du raccord rapide



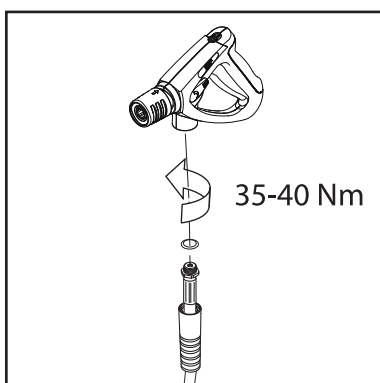
Vissez fermement le raccord rapide sur l'arrivée d'eau (2).

**Remarque :** Le filtre de l'entrée doit toujours être fixé sur le tuyau de l'entrée d'eau afin de procéder au filtrage des impuretés grossières, car ces dernières pourraient endommager les soupapes de la pompe.



**Attention :** Faute d'installation du filtre, la garantie ne sera pas valable.

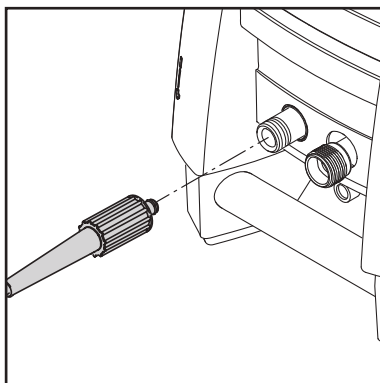
#### 4.5 Montage du tuyau haute pression sur le pistolet pulvérisateur



Montez le tuyau haute pression (4) sur le pistolet pulvérisateur (7).

## 5 Mode d'emploi de votre laveuse à pression

#### 5.1 Connexion du tuyau haute pression



**Modèles sans de dévidoir tuyau :** Fixer le flexible à haute pression (4) au raccord de flexible à haute pression (3).

Utiliser un tuyau de rallonge de 7 m au maximum.

**Modèles pourvus de dévidoir tuyau :** Dérouler complètement le flexible à haute pression.

EN

DA

NO

SV

FI

DE

FR

NL

IT

ES

PT

EL

TR

CS

HU

PL

EN

DA

NO

SV

FI

DE

FR

NL

IT

ES

PT

EL

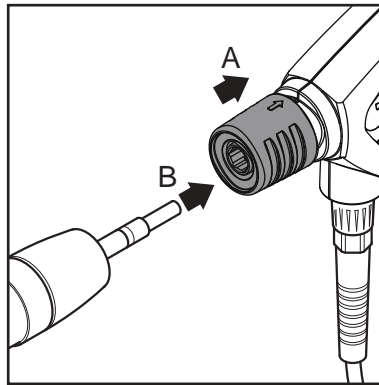
TR

CS

HU

PL

## 5.2 Montage de la lance de pulvérisation



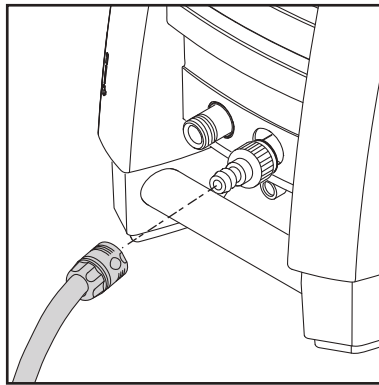
### NOTE !

Avant d'assembler la lance et le pistolet, nettoyez le nipple pour éliminer les éventuelles particules de saleté.

1. Tirer vers l'arrière la poignée à déclenchement rapide bleue (A) du pistolet pulvérisateur.
2. Enfoncer l'embout de la lance de pulvérisation (B) dans le raccord rapide, puis le relâcher.
3. Tirer sur la lance de pulvérisation (ou tout autre accessoire) pour vérifier qu'elle est fixée en toute sécurité sur le pistolet pulvérisateur.

## 5.3 Connexion à l'eau

Un tuyau d'arrosage 1/2" standard de **min. 10 m** et **max. 25 m** conviendra.



### REMARQUE :

Raccordement au réseau de canalisation public – conformément aux réglementations en vigueur.

**IMPORTANT ! L'eau utilisée doit être exempte d'impuretés.** S'il y a un risque que l'eau d'arrivée contienne du sable (venant par ex. de votre propre puits), vous devez installer un filtre complémentaire.

1. Faites circuler l'eau dans le tuyau avant de le relier à la machine pour éviter que les impuretés éventuellement présentes dans le tuyau ne s'introduisent dans la machine.



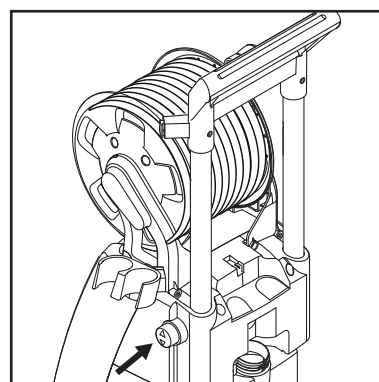
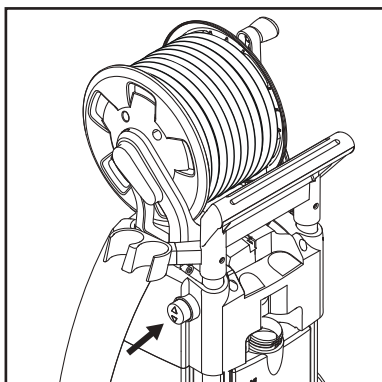
### Remarque :

Vérifiez que le filtre est bien

installé dans le tuyau d'alimentation en eau et qu'il n'est pas bouché.

2. Raccordez le tuyau à l'alimentation en eau à l'aide du connecteur rapide (pression max. d'arrivée d'eau : 10 bars, température max. : 60 °C).
3. Ouvrez le robinet.

## 5.4 Poignée télescopique



La machine est munie d'une poignée télescopique. Pour monter ou baisser la poignée, enfoncez le bouton tout en déplaçant la poignée vers le haut ou vers le bas. Un clic signale la bonne position de la poignée.



### 5.5 Démarrage et arrêt de la machine (connectée à l'alimentation en eau)




La poussée de la lance de pulvérisation est puissante – tenez-la toujours fermement des deux mains.

**IMPORTANT : Dirigez la buse vers le sol.**

1. Assurez-vous que la machine est en position verticale.

**REMARQUE :** Ne posez pas la machine dans l'herbe haute !

2. Déverrouiller la gâchette.
3. Activez la gâchette de la poignée gâchette et laissez couler l'eau jusqu'à ce que l'intégralité de l'air se soit échappée du flexible haute pression.
4. Positionnez le contrôleur marche/arrêt (1) sur .
5. Enclenchez la gâchette du pistolet pulvérisateur.

Veillez à toujours ajuster la distance – et donc la pression – de la buse en fonction de la surface à nettoyer.

### 5.6 Démarrage de la machine (reliée à des récipients ouverts (en mode d'aspiration))

La laveuse peut par exemple aspirer l'eau d'un réservoir d'eau de pluie. Le tuyau d'alimentation en eau ne doit pas être trop long, environ 5 m.

Assurez-vous que le réservoir d'eau ne se situe pas à un niveau inférieur à la machine.

Installez un filtre externe si l'eau contient des impuretés.

1. Assurez-vous que le flexible d'eau est complètement rempli d'eau avant de le raccorder à la machine. Placez le tuyau intégral dans un réservoir ou un seau. Pour éviter de renverser de l'eau, pincez le flexible dans

Ne couvrez pas la machine pendant son utilisation.





**Remarque :** Si la machine n'est pas utilisée pendant

plusieurs minutes, vous devez l'arrêter à l'aide du contrôleur marche/arrêt « O » (1) :

1. Positionnez le contrôleur marche/arrêt (1) sur « O ».
2. Débranchez le câble d'alimentation de la prise.
3. Fermez l'alimentation d'eau et enclenchez la gâchette afin d'évacuer la pression.
4. Verrouillez le pistolet pulvérisateur.

Si vous relâchez la gâchette du pistolet pulvérisateur, la machine s'arrête automatiquement. Elle redémarrera lorsque vous réenclenchez le pistolet pulvérisateur.

l'eau tout en le raccordant à la machine à l'aide de la fixation rapide, puis lâchez le flexible d'arrivée d'eau.

2. Démontez la poignée de pulvérisation, la lance et la buse.
3. Réglez l'interrupteur sur  et laissez couler l'eau jusqu'à ce que le flexible d'eau et la pompe ont été vidés d'air.
4. Positionnez le contrôleur marche/arrêt (1) sur « O ».
5. Montez la poignée gâchette et ensuite la lance.
6. Positionnez le contrôleur marche/arrêt (1) sur .
7. Enclenchez la gâchette du pistolet pulvérisateur.

EN

DA

NO

SV

FI

DE

FR

NL

IT

ES

PT

EL

TR

CS

HU

PL

EN

### 5.7 Réglage de la pression

DA

NO

SV

FI

DE

FR

NL

IT

ES

PT

EL

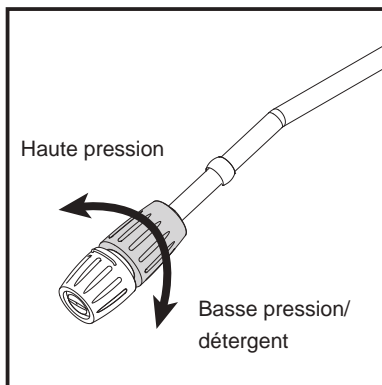
TR

CS

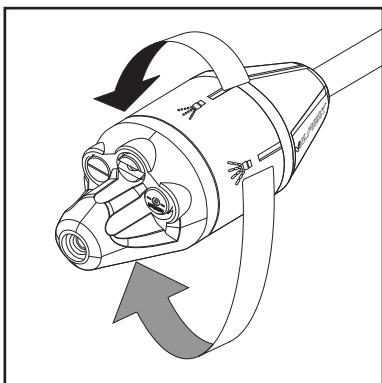
HU

PL

### 5.8 Fonctionnement avec des détergents



**Buse Flexopower Plus :**  
La buse Flexopower Plus permet de régler la pression.



**Modèles T et XT :**

Lance de pulvérisation 4-en-1  
La pression peut être réglée sur la lance de pulvérisation 4-en-1.

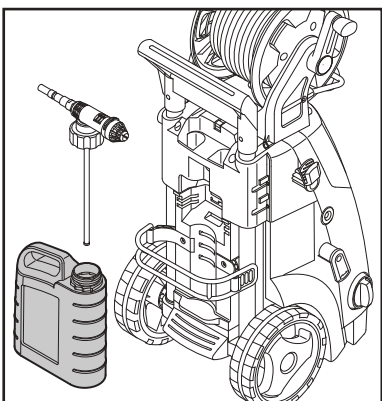


Basse pression / détergent

Tornado / haute pression

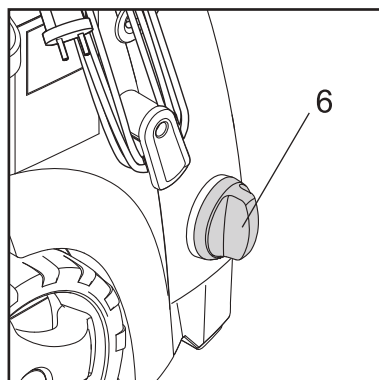
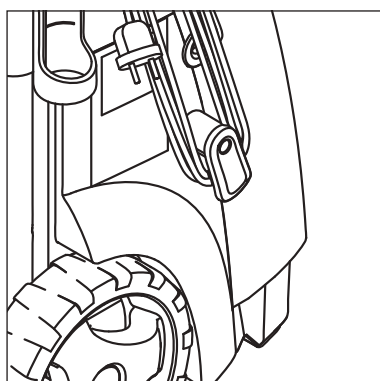
Grand angle / haute pression

Turbohammer / haute pression



1. Remplissez le bac de détergent.
2. Pulvérisez le détergent de bas en haut.
3. Laissez le détergent agir pendant le temps indiqué sur l'emballage et rincez à l'eau pure ou utilisez une brosse.

### 5.9 Réglage de la pression/ du volume d'eau (uniquement pour les modèles dotés d'un bouton de réglage de la pression et du débit d'eau)



La pression de fonctionnement et le volume d'eau peuvent être réglés sur l'appareil en tournant la vanne de régulation de la pression et du volume d'eau (6).

## 6 Applications et méthodes de travail

### 6.1 Généralités

Vous obtiendrez un nettoyage haute pression efficace en combinant les conseils suivants avec votre expérience personnelle des différentes tâches de nettoyage. Le bon choix d'accessoires et de produits de nettoyage permet d'optimiser les performances de votre laveuse à pression. Voici quelques informations de base sur le nettoyage.

#### 6.1.1 Produits de nettoyage et mousse

Mousse et produits de nettoyage doivent être appliqués sur des surfaces sèches afin que le produit chimique entre en contact direct avec les saletés à nettoyer. Appliquez les produits de nettoyage d'en bas vers le haut, par exemple sur une carrosserie de voiture, pour éviter des zones « super propres » où le produit s'accumule et coule vers le bas. Laissez le produit de nettoyage agir pendant plusieurs minutes avant de rincer, mais ne le laissez jamais sécher sur la surface à nettoyer. **Remarque :** Il est important de ne pas laisser sécher le produit de nettoyage. Autrement, vous risquez d'abîmer la surface nettoyée.

#### 6.1.2 Effet mécanique

Pour éliminer des couches épaisses de saleté, il peut s'avérer nécessaire d'ajouter un effet mécanique. Des brosses de lavage spéciales permettent d'éliminer les saletés tenaces, le film routier et similaires.

EN

DA

NO

SV

FI

DE

FR

NL

IT

ES

PT

EL

TR

CS

HU

PL

EN

DA

NO

SV

FI

DE

FR

NL

IT

ES

PT

EL

TR

CS

HU

PL

# 7 Après utilisation de votre laveuse à pression

## 7.1 Rangement de la laveuse



**Cet appareil doit être entreposé dans une pièce à l'abri du gel !**

La pompe, le flexible et les accessoires doivent toujours être vidés de leur eau avant l'entreposage en procédant comme suit :

1. Arrêter l'appareil (interrupteur rotatif (2) en position « O ») et enlever le tuyau d'eau et les accessoires.
2. Redémarrer l'appareil et appuyer sur la gâchette. Laisser tourner l'appareil jusqu'à l'écoulement complet de l'eau par la poignée gâchette.
3. Arrêter la machine et débrancher. Enrouler le câble électrique autour des crochets placés sur le côté de l'appareil.

4. Séparez la poignée gâchette de la lance.

5. **Modèles sans de dévidoir tuyau** : Enlever le flexible à haute pression, l'enrouler et le placer sur le support de tuyau.

**Modèles pourvus de dévidoir tuyau** : Enrouler le flexible à haute pression sur l'enrouleur de tuyaux

6. Placer la poignée gâchette, les buses et les autres accessoires dans les supports de l'appareil.

Si la machine a gelé, laissez-la dégeler et vérifiez si elle présente des dommages.

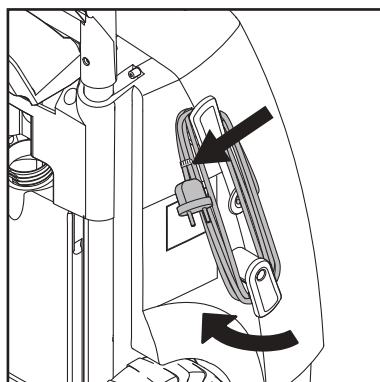
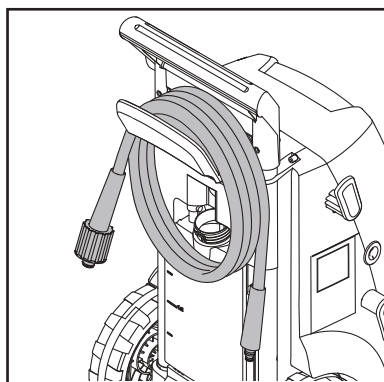
**NE JAMAIS FAIRE DEMARRER UN APPAREIL GELE.**

**Les dégâts causés par le gel ne sont pas couverts par la garantie !**

## 7.2 Enroulement du câble électrique et du tuyau haute pression

Pour éviter tout accident, le câble électrique et le tuyau

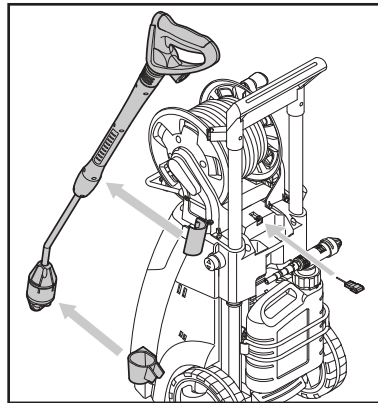
haute pression doivent toujours être soigneusement enroulés.



1. Enroulez le câble électrique autour des crochets prévus à cet effet. Pince intégrée pour un bon maintien. Le crochet inférieur peut être tourné pour desserrer le câble.

2. La laveuse à haute pression existe en deux modèles : A) avec crochet de rangement du tuyau haute pression (13) – B) avec dévidoir tuyau (12).

### 7.3 Rangement des accessoires



Des supports sur la laveuse à pression permettent de ranger les accessoires standard (pistolet pulvérisateur, lance de pulvérisation (A) et l'outil de nettoyage pour buse).

EN

DA

NO

SV

FI

DE

**FR**

NL

IT

ES

PT

EL

TR

CS

HU

PL

## 8 Maintenance



**ATTENTION !** Débranchez le câble d'alimentation de la prise avant toute maintenance ou nettoyage de la machine..

Afin d'obtenir une durée de service longue et sans problèmes, veuillez suivre les conseils suivants :

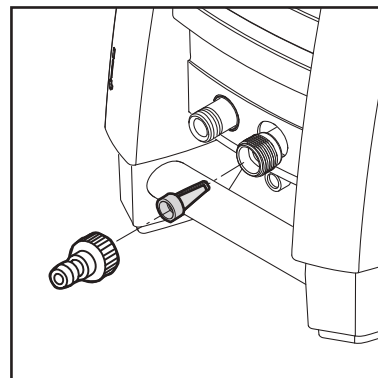
- Rincez le tuyau d'eau, le tuyau haute pression, la lance de pulvérisation et les accessoires avant le montage.

- Nettoyez les connecteurs pour éliminer d'éventuelles impuretés.
- Nettoyez les buses.

Toute réparation doit être effectuée dans un atelier agréé et avec des pièces de rechange originales.

### 8.1 Nettoyage du filtre d'entrée d'eau

Nettoyez le filtre d'entrée d'eau au moins une fois par mois voire plus, en fonction



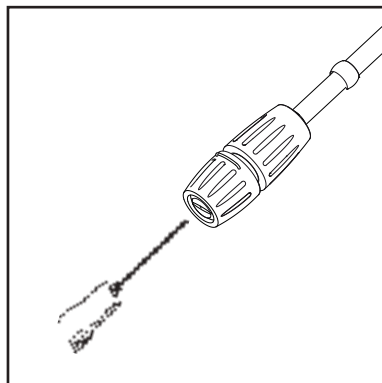
de la fréquence d'utilisation. Dévissez délicatement le filtre à l'aide de pinces, puis nettoyez-le. Vérifiez qu'il est intact avant de le réinstaller.

Le filtre de l'entrée doit toujours être fixé sur le tuyau de l'entrée d'eau afin de procéder au filtrage des diverses impuretés, car ces dernières pourraient endommager les soupapes de la pompe.

**ATTENTION :** Faute d'installation du filtre, la garantie ne sera pas valable.

EN

## 8.2 Nettoyage de la buse



Si la buse est bouchée, la pression de la pompe sera trop élevée. Il faut donc la nettoyer dès que l'obstruction est constatée.

1. Arrêtez la machine et retirez la buse.

2. Nettoyez la buse.

**IMPORTANT** : Utilisez l'outil de nettoyage (11) uniquement lorsque la buse est détachée !

3. Rincez la buse à l'eau, d'avant en arrière.

DA

NO

SV

FI

DE

**FR**

## 8.3 Nettoyage des bouches d'aération de la machine

La machine doit rester propre afin de permettre à l'air de refroidissement de passer librement à travers les bouches d'aération.

NL

IT

## 8.4 Graissage des raccords

Pour faciliter le raccordement et éviter le dessèchement des joints toriques, il est nécessaire de lubrifier les raccords régulièrement.

ES

PT

EL

TR

CS

HU

PL

# 9 Diagnostic des pannes

EN

DA

NO

SV

FI

DE

**FR**

NL

IT

ES

PT

EL

TR

CS

HU

PL

Pour éviter des démarches inutiles, vous devriez vérifier les points suivants avant de contacter un réparateur Nilfisk :

Défaillance	Cause	Remède
<b>La machine ne démarre pas</b>	Machine non branchée Prise défectueuse Fusible sauté  Câble de rallonge défectueux	Branchez la machine. Essayez une autre prise. Remplacez le fusible. Eteignez d'autres appareils. Essayez sans le câble de rallonge.
<b>La pression fluctue</b>	Pompe aspirant de l'air  Valves sales, usées bloquées Dispositif d'étanchéité de la pompe usé	Vérifiez que les tuyaux et raccords sont étanches à l'air. Nettoyez, remplacez ou contactez votre ou distributeur Nilfisk local. Nettoyez, remplacez ou contactez votre distributeur Nilfisk local.
<b>Le moteur saccade</b>	Tension ou température trop faible	Enclenchez la gâchette du pistolet pulvérisateur.
<b>La machine s'arrête</b>	Fusible sauté  Tension de secteur incorrecte  Capteur de température activé Buse partiellement bouchée	Remplacez le fusible. Eteignez d'autres appareils. Vérifiez que la tension de secteur correspond aux spécifications sur la plaque du modèle. Laissez la laveuse se refroidir pendant 5 minutes. Nettoyez la buse (voir section 7.2).
<b>Le fusible grille</b>	Fusible trop faible	Changez pour une installation pouvant assurer la consommation électrique de la machine. Essayez éventuellement sans le câble de rallonge.
<b>La machine vibre</b>	Présence d'air dans le tuyau/la pompe  Alimentation inadéquate en eau de distribution  Buse partiellement bouchée Filtre à eau bouché Le tuyau s'entortille	Laissez tourner la machine la gâchette enclenchée jusqu'à ce qu'une pression régulière reprenne. Vérifiez que l'alimentation en eau correspond aux spécifications (voir plaque du modèle). <b>NB !</b> Évitez des tuyaux longs et fins (min. 1/2"). Nettoyez la buse (voir section 7.2). Nettoyez le filtre (voir section 7.1). Désentortillez le tuyau.
<b>Souvent la machine démarre et s'arrête d'elle-même</b>	Le pistolet fuit	Contactez le centre de service Nilfisk le plus proche. Remplacer le siège / ballon / O-ring dans la soupape de la gâchette.
<b>La machine démarre, mais l'eau ne sort pas</b>	Pompe, tuyau ou accessoire gelé(e) Aucune alimentation en eau Filtre à eau bouché Buse bouchée	Attendez que la pompe, le tuyau ou l'accessoire dégèle. Raccordez l'alimentation d'eau. Nettoyez le filtre (voir section 7.1). Nettoyez la buse (voir section 7.2).
<b>Chute de pression de la pompe</b>	La vanne de réglage de la pression/ du volume d'eau n'est pas réglé comme il faut	Régler la vanne sur la pression de service correcte.

Si vous constatez l'apparition d'une défaillance autre que celles mentionnées ci-dessus, veuillez contacter votre distributeur Nilfisk local.

EN

# 10 Plus d'informations

DA

NO

SV

FI

DE

FR

**10.1 Conditions de la garantie** Si vous avez besoin d'aide pour le service ou la maintenance, contactez votre revendeur.

NL

## 11 Données techniques principales

IT

ES

PT

EL

TR

CS

HU

PL

Type		MC2C-60/520 XT US-CAN	MC2C-80/520 T	MC2C-120/520 T	MC2C-120/520 XT	MC2C-140/610 XT	MC2C-140/610 P	MC2C-150/650	MC2C-140/650 (EXPT)	MC2C-150/650 XT
Pression nominale	bar/MPa	60/6,0	80/8,0	120/12	120/12	140/14	140/14	150/15	140/14	150/15
Impact de nettoyage	kg/force	2	2	2,2	2,2	2,5	2,5	2,9	2,9	2,9
Débit	Qmax/ QIEC l/min	2,3/2,2 gallon	8,7/8,2	8,7/7,8	8,7/7,8	10,2/9,0	10,2/9,0	10,8/9,5	10,8/9,5	10,8/9,5
Voltage/phase/ fréquence/ courant	V/-/Hz/A	120/1/ 60/15	115-127/1/ 60/15	230/1/ 50/10	230/1/ 50/10	230/1/ 50/12,6	230/1/ 50/12,6	230/1/ 50/14,5	220/1/ 60/14,5	230/1/ 50/14,5
Température max. de l'eau	°C	60	60	60	60	60	60	60	60	60
Câble	m	10	5	5	5	5	5	5	5	5
Pompe	rot./min.	3400	3400	2800	2800	2800	2800	2800	3400	2800
Taille de la buse	1/8"	0,475	0,475	0,340	0,340	0,340	0,370	0,340	0,350	0,340
Niveau de pression acoustique LpA	dB(A)	72 ±2	72 ±2	72 ±2	72 ±2	72 ±2	72 ±2	72 ±2	72 ±2	72 ±2
Niveau de puissance acoustique LwA	dB(A)	89	86	86	86	86	86	88	88	88
Vibration conformément à ISO 5349	m/s <sup>2</sup>	< 2,5	< 2,5	< 2,5	< 2,5	< 2,5	< 2,5	< 2,5	< 2,5	< 2,5
Poids	kg	28,6	27,3	27,3	28,1	28,1	28,1	26,3	26,3	28,1



# 12 Déclaration CE/UE de conformité

Nous,

Nilfisk A/S  
Marmorvej 8  
2100 Copenhagen Ø  
DANEMARK

déclarons sous notre seule responsabilité que les

Produits : HPW – Professional – Mobile – EI – CW  
Description : 230 V, 50 Hz, IPX5  
Type : MC2C-120/520 T, -120/520 XT, -140/610 XT, -150/650 XT, -140/650 EXPT

sont conformes aux normes suivantes :

EN 60335-1:2012+A11:2014+A13:2017+A1:2019+A14:2019+A2:2019+A15:2021+A16:2023  
EN 60335-2-79:2012  
EN 55014-1:2021  
EN 55014-2:2021  
EN 61000-3-2:2019+A1:2021  
EN 61000-3-11:2019  
EN 63000:2018

selon l'harmonisation des législations de l'Union :

2006/42/EC  
2014/30/EU  
2011/65/EU  
2000/14/EC – Procédure d'évaluation de la conformité selon l'annexe V.  
– Niveau de puissance acoustique mesuré : 86-88 dB(A) ; niveau de puissance acoustique garanti : 89-91 dB(A)

Broendby, 2024-01-02

*Wei Hua (Warner) Guo*

Warner Guo, VP R&D, Head of Competence Center APAC • R&D

EN

DA

NO

SV

FI

DE

**FR**

NL

IT

ES

PT

EL

TR

CS

HU

PL

EN

DA

NO

SV

FI

DE

FR

NL

IT

ES

PT

EL

TR

CS

HU

PL

# Index

<b>1</b>	<b>Introductie</b> .....	<b>147</b>
	1.1 Symbolen voor verschillende aanwijzingen .....	147
<b>2</b>	<b>Voorzorgsmaatregelen en werktechnieken</b> .....	<b>147</b>
<b>3</b>	<b>Beschrijving</b> .....	<b>155</b>
	3.1 Toepassingen .....	155
	3.2 Bedieningselement en belangrijkste eigenschappen .....	155
<b>4</b>	<b>Voordat u met uw drukreiniger aan de slag gaat</b> .....	<b>156</b>
	4.1 Montage van houders voor de spuitlans .....	156
	4.2 Montage van slanghaak (modellen zonder slanghouder) .....	156
	4.3 Bevestiging van handgreep van slanghouder (modellen met slanghouder) ...	156
	4.4 Bevestiging van snelkoppeling .....	157
	4.5 Bevestiging van de hogedrukslang op het sproeigeweel .....	157
<b>5</b>	<b>De drukreiniger gebruiken</b> .....	<b>158</b>
	5.1 Aansluiting van de hogedrukslang .....	158
	5.2 Bevestiging van sproeilans .....	158
	5.3 Wataansluiting .....	158
	5.4 Uitschuifbare spuitlans .....	159
	5.5 Schakel het apparaat in en uit (na aansluiting op een kraan) .....	159
	5.6 Start het apparaat (indien aangesloten op open reservoirs (zuigmodel)) .....	159
	5.7 Drukinstelling .....	160
	5.8 Werking met reinigingsmiddelen .....	160
	5.9 Drukregeling / watervolume (alleen modellen met knop voor drukregeling en watervolume) .....	161
<b>6</b>	<b>Toepassingsgebieden en werkwijzen</b> .....	<b>161</b>
	6.1 Algemeen .....	161
<b>7</b>	<b>Na gebruik van uw drukreiniger</b> .....	<b>162</b>
	7.1 De reiniger opbergen .....	162
	7.2 Oprollen van netsnoer en hogedrukslang .....	162
	7.3 Opbergen van accessoires .....	163
<b>8</b>	<b>Onderhoud</b> .....	<b>163</b>
	8.1 Reiniging van het watertoevoerfilter .....	163
	8.3 Reiniging van de ventilatieopeningen van het apparaat .....	164
	8.4 Verbindingsstukken smeren .....	164
	8.2 Sproeikoppen reinigen .....	164
<b>9</b>	<b>Probleemoplossing</b> .....	<b>165</b>
<b>10</b>	<b>Verdere informatie</b> .....	<b>166</b>
	10.1 Garantievoorwaarden .....	166
<b>11</b>	<b>Belangrijkste technische gegevens</b> .....	<b>166</b>
<b>12</b>	<b>Verklaring</b> .....	<b>167</b>

# 1 Introductie

## 1.1 Symbolen voor verschillende aanwijzingen

Alle pictogrammen die op de hogedrukreiniger en onderdelen ervan zijn aangebracht worden in deze handleiding uitgelegd.



De veiligheidsaanwijzingen die zijn gemarkeerd met dit symbool moeten worden nageleefd om lichamelijk letsel of ernstige materiële schade te voorkomen.



Let op bij kans op beschadiging van de machine of onderdelen ervan.



Dit symbool staat bij tips en aanwijzingen over hoe u beter en veiliger kunt werken met de hogedrukreiniger.

## 2 Voorzorgsmaatregelen en werktechnieken



Voordat u de machine voor de eerste keer gebruikt, dient u deze gebruikershandleiding zorgvuldig door te lezen. Bewaar de handleiding voor later gebruik.



### Waarschuwing!

- Inademing van drijfgassen kan gevaar opleveren voor de gezondheid. Gebruik indien mogelijk uitrusting om het vrijkomen van drijfgassen te voorkomen, bijv. een dop op de spuitkop. Gebruik ter bescherming tegen drijfgassen een ademhalingsmasker klasse FFP 2 of hoger.
- De hoge waterdruk die wordt opgebouwd door de machine en de stroomaansluiting zijn in het bijzonder gevaarlijk.
- Apparaten mogen niet worden gebruikt door kinderen of door personen die er niet vertrouwd mee zijn. Houd kinderen in de gaten en zorg dat zij niet met het apparaat spelen.
- Gebruik de machine niet in de buurt van personen, tenzij deze beschermende kleding dragen.
- Voordat u de machine opstart, dient u deze eerst op eventuele gebreken te controleren. Als u gebreken aantreft, start dan de machine niet op en neem contact op met uw Nilfisk-dealer. De isolatie van de stroomkabels moet intact zijn en mag geen scheurtjes vertonen. Als een stroomkabel is beschadigd, dient deze te worden vervangen door een erkende Nilfisk-dealer.

EN

DA

NO

SV

FI

DE

FR

NL

IT

ES

PT

EL

TR

CS

HU

PL

EN

DA

NO

SV

FI

DE

FR

NL

IT

ES

PT

EL

TR

CS

HU

PL

- Haal altijd de stekker uit het stopcontact voordat met schoonmaak- of onderhoudswerkzaamheden wordt gestart en bij vervanging van onderdelen of ombouw van de machine naar een andere functie.
- Houd u aan de nationale veiligheidsvoorschriften die zijn afgegeven door bijv. aanbieders van werkgeversverzekeringen, veiligheidsinstanties, autoriteiten op het gebied van arbeidsmilieu en gezondheid of andere instanties.



### **Accessoires en reserveonderdelen**

- Voor een veilige werking van de machine maakt u uitsluitend gebruik van originele reserveonderdelen van Nilfisk of door Nilfisk goedgekeurde onderdelen.
- Hogedrukslangen, appendages en koppelingen zijn belangrijk voor de veiligheid van de machine. Gebruik alleen slangen, appendages en koppelingen die worden aanbevolen door Nilfisk.



### **Lichamelijke, zintuiglijke en mentale beperkingen**

- De machine is niet bestemd voor gebruik door personen (waaronder kinderen) met beperkte lichamelijke, zintuiglijke of geestelijke vermogens of een gebrek aan ervaring of kennis. Het apparaat mag worden gebruikt door personen met een lichamelijke, zintuiglijke of geestelijke beperking of een gebrek aan kennis en ervaring, mits zij onder toezicht staan of aanwijzingen ontvangen over het veilige gebruik van het apparaat en inzicht hebben in de risico's die het gebruik met zich meebrengt.



### **Toepassingen**

Dit apparaat is ontwikkeld voor huishoudelijk en professioneel gebruik, zoals:

- huishoudelijk: auto, motorfiets, boot, caravan, aanhanger, terras/oprit/meubels, grasmaaier.
- professioneel: reinigen van oppervlakken, auto's, vrachtwagens, boten en apparatuur.

- Elk ander gebruik wordt beschouwd als oneigenlijk gebruik. Nilfisk aanvaardt geen aansprakelijkheid voor enige schade die voortvloeit uit dergelijk gebruik. Het risico voor dergelijk gebruik ligt uitsluitend bij de gebruiker. Correct gebruik omvat ook correcte bediening, onderhoud en reparaties zoals gespecificeerd in deze instructie.

EN

DA

NO

SV

FI

DE

FR

NL

IT

ES

PT

EL

TR

CS

HU

PL

## Kleding en uitrusting

Neem altijd maatregelen om uzelf te beschermen tijdens het gebruik van de machine.

- Gebruik schoenen met antislipzolen.
- Draag een beschermende bril, gehoorbescherming en beschermende kleding tijdens het gebruik.



## Vervoer van de hogedrukreiniger

- Als de machine op of in een voertuig wordt vervoerd, moet deze worden vastgezet met bijv. stropen, zodat hij niet kan glijden of omvallen.
- Nilfisk adviseert om de machine horizontaal op de achterkant neer te leggen bij vervoer in of op een voertuig.



## Reinigingsmiddelen

- Deze machine is ontworpen voor gebruik met door Nilfisk geleverde of aanbevolen schoonmaakmiddelen. Het gebruik van andere schoonmaakmiddelen of chemicaliën kan een negatieve invloed hebben op de veilige werking van de machine.



## Voordat met de werkzaamheden wordt gestart Inspectie van de machine

- Gebruik de machine niet indien een voedingskabel of belangrijke onderdelen van de machine beschadigd zijn, zoals veiligheidsapparatuur, hogedrukslangen, het spuitpistool of andere spuituitrusting.
- De trekker van het spuitpistool moet eenvoudig kunnen bewegen en automatisch terugkeren naar de startpositie als hij wordt losgelaten.

EN

DA

NO

SV

FI

DE

FR

NL

IT

ES

PT

EL

TR

CS

HU

PL

- Zorg ervoor dat de hogedrukslang en de spuituitrusting altijd in goede staat verkeren (schoon, gemakkelijk bewegend) en goed zijn gemonteerd.



## Elektrische aansluiting

### Waarschuwing!

Beperk het risico op elektrische schokken:

- De spanning en de frequentie van de machine (zie het typeplaatje) moeten overeenkomen met de spanning en de frequentie van het elektriciteitsnet.
- Sluit de machine alleen aan op een elektrische installatie die is uitgevoerd door een erkende elektricien en die voldoet aan IEC 60364-1.
- Wij adviseren om de elektriciteitstoevoer naar deze machine uit te rusten met een aardlekschakelaar die de toevoer onderbreekt als de lekstroom naar de aarde gedurende 30 ms de 30 mA overschrijdt.
- Gebruik motorstart/vertraagde zekeringen met eigenschap C of D conform IEC/EN 60898-1 / IEC 947-2 of overeenstemmende normen buiten IEC.
- Vanwege het hoge stroomverbruik van het apparaat is een geschikte netzekering vereist.
- Ongeschikte verlengkabels kunnen gevaarlijk zijn. Maak alleen gebruik van een verlengkabel die geschikt is voor gebruik buitenshuis, en zorg dat de verbinding droog blijft en niet op de grond ligt.
- Nilfisk adviseert het gebruik van een kabelhaspel zodat het stopcontact zich op minstens 60 mm boven de grond bevindt.
- Indien de stroomkabel beschadigd is, moet deze worden vervangen door een erkende Nilfisk-dealer of een persoon met vergelijkbare kwalificaties om gevaarlijke situaties te voorkomen.
- Als u de hogedrukspuit op een watertoevoersysteem aansluit, is de maximaal toegestane impedantie  $0,4023 \Omega$  ( $Z_{max}$ ). Vraag het waterbedrijf of de apparatuur alleen aangesloten is op een toevoer met die impedantie of een lagere.



## WATERAANSLUITING

- De hogedrukreiniger is alleen geschikt voor aansluiting op de drinkwaterleiding. Houd u bij de aansluiting van de machine op de drinkwaterleiding aan de nationale regelgeving. Mogelijk kan op grond van EN 60335-2-79 de machine alleen op de drinkwaterleiding worden aangesloten als een geschikte terugstroombeveiliging is geïnstalleerd.
- De terugstroombeveiliging kan worden besteld onder Nilfisk productnummer 106411177. In Nederland bepaalt uw drinkwaterleverancier of er een terugstroombeveiliging noodzakelijk is.
- Zodra drinkwater terug is gestroomd via de terugstroombeveiliging, is het niet langer geschikt als drinkwater.
- Bij aanzuiging (bijv. uit een regenwaterton) wordt geen terugstroombeveiliging gebruikt – zie **“Aansluiting op een drukloze watertoevoer”**. De machine kan worden aangesloten op een waterleidingnet met een maximale waterinlaatdruk van 1 MPa / 10 bar en een maximale watertemperatuur van 60 °C.

## VEILIGHEIDSUITRUSTING

### Vergrendeling op het spuitpistool:

- Het spuitpistool is voorzien van een vergrendeling. Als de vergrendelpal geactiveerd is, kan het spuitpistool niet worden bediend.

### Thermische sensor:

- Zelf-reset  
Een thermische sensor beschermt de motor tegen overbelasting. Het apparaat start na een paar minuten opnieuw op wanneer de thermische sensor is afgekoeld.
- Niet-zelf-reset (alleen voor Amerikaans model MC2C)  
Er is een handmatige bediening voor het resetten vereist. Handmatige bediening betekent het loskoppelen van het apparaat van het elektriciteitsnet.

EN

DA

NO

SV

FI

DE

FR

NL

IT

ES

PT

EL

TR

CS

HU

PL

EN

DA

NO

SV

FI

DE

FR

NL

IT

ES

PT

EL

TR

CS

HU

PL



## Voorzichtig:

Om gevaar door onbedoeld resetten van de thermische beveiliging te voorkomen, mag dit apparaat niet worden gevoed via een extern schakelapparaat, zoals een timer, of worden aangesloten op een circuit dat regelmatig wordt in- en uitgeschakeld door het nutsbedrijf.

## Drukbeveiliging:

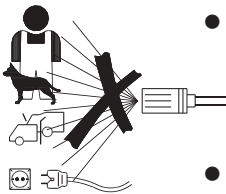
- Een geïntegreerde hydraulische veiligheidsklep beschermt het systeem tegen ontoelaatbare overdruk.



## Tijdens het werken

### Waarschuwing!

- Het is verboden om oppervlakken die asbest bevatten onder hoge druk te reinigen.
- Explosiegevaar – Spuit niet met ontvlambare vloeistoffen.
- Zuig nooit vloeistoffen op die oplosmiddelen bevatten (bijv. diesel, stookolie, verfverdunder of aceton). Deze stoffen zijn schadelijk voor de materialen die in de machine zijn gebruikt. De spuitvloeistof is licht ontvlambaar, explosief en giftig.
- Richt de waterstraal nooit op uzelf of andere personen, zelfs niet om kleding of schoeisel te reinigen – **kans op letsel.**
- Richt de waterstraal nooit op huisdieren of andere dieren.
- Richt de waterstraal nooit op stroomvoerende elektrische apparaten of op de machine zelf – **kans op kortsluiting.**
- Op de spuitlans wordt een terugslagkracht van minder dan 27,4 N en een plotselinge momentkracht uitgeoefend, wanneer de trekker van het spuitpistool tijdens het gebruik ingedrukt wordt.
- Deze hogedrukreiniger mag niet worden gebruikt bij temperaturen lager dan 0 °C.
- Start nooit een bevroren machine. Vorstschade valt niet onder de garantie!
- Zorg altijd voor stevig en veilig schoeisel.





- De machine moet worden gebruikt in opgerichte toestand.
- Als u het apparaat langer dan 5 minuten alleen laat of niet gebruikt, moet u het uitschakelen met de aan-/uitschakelaar.

EN

DA

NO

SV

FI

DE

FR

NL

IT

ES

PT

EL

TR

CS

HU

PL



## Nadat de werkzaamheden zijn beëindigd

### Waarschuwing!

- Schakel de machine altijd uit en haal de stekker uit het stopcontact nadat de werkzaamheden zijn beëindigd en de machine onbeheerd wordt achtergelaten.
- Haal de waterinlaatslang tussen de machine en de watertoevoer los.
- Verwijder altijd water uit de pomp, slang en toebehoren na gebruik van de machine en voordat de machine wordt opgeslagen.



## Onderhoud en reparaties

### Waarschuwing!

- Haal altijd de stekker uit het stopcontact voordat met onderhoudswerkzaamheden, reiniging en reparaties wordt gestart.
- Alle reparaties dienen te worden uitgevoerd in een door Nilfisk erkende werkplaats en met originele Nilfisk reserveonderdelen.
- Voer geen onderhoud uit dat niet wordt beschreven in deze gebruikershandleiding.
- Indien de machine niet wil starten of stoppen, pulseert, een schommelende druk heeft, de motor hapert, zekeringen dooslaan of er geen water uitkomt, controleert u het schema voor fouten opsporen in deze gebruikshandleiding. Neem contact op met uw lokale Nilfisk-dealer als er zich andere problemen voordoen.
- Laat kinderen het apparaat niet reinigen of onderhouden zonder toezicht.

EN

DA

NO

SV

FI

DE

FR

**NL**

IT

ES

PT

EL

TR

CS

HU

PL



### **Correcte verwijdering van dit product:**

Deze markering geeft aan dat dit product niet samen met ander huishoudelijk afval in de EU mag worden verwijderd. Om mogelijke schade aan het milieu of de gezondheid van de mens door ongecontroleerde afvalverwijdering te voorkomen, moet het op verantwoorde wijze worden gerecycled om het duurzame hergebruik van materiële hulpbronnen te bevorderen. Om uw gebruikte apparaat in te leveren, gebruikt u de retour- en verzamelsystemen of neemt u contact op met de kleinhandel waar u het product kocht. Zij kunnen dit product milieuvriendelijk laten recyclen.

# 3 Beschrijving

EN

DA

NO

SV

FI

DE

FR

**NL**

IT

ES

PT

EL

TR

CS

HU

PL

## 3.1 Toepassingen

Deze hogedrukreiniger is ontwikkeld voor dagelijkse semi-professionele schoonmaakklussen:

- *Professioneel vakwerk, schoonmaken van voertuigen, boten, caravans en kleinere schoonmaakklussen binnen de bouw*

In hoofdstuk 6 wordt het gebruik van de hogedrukreiniger voor

verschillende reinigingstaken beschreven.

Gebruik de hogedrukreiniger alleen voor de in deze handleiding beschreven doelen.

Respecteer de veiligheidsvoorschriften om beschadiging van het apparaat, het te reinigen oppervlak of ernstig persoonlijk letsel te voorkomen.

## 3.2 Bedieningselement en belangrijkste eigenschappen



Zie de afbeelding aan het eind van deze handleiding.

- 1 Aan-/uitschakelaar
- 2 Wateraansluiting (met filter)
- 3 Hogedrukaansluiting (alleen modellen zonder slanghaspel)
- 4 Hogedrukslang
- 5 Netsnoer
- 6 Drukregeling /watervolume (niet standaard)
- 7 Ergo 2000 Sproeigeweef met vergrendeling
- 8 Flexopower Plus spuitlans
- 9 4-in-1 spuitlans (T en XT modelle)
- 10 Verwijderbaar reservoir voor reinigingsmiddelen
- 11 Reinigingsinstrument voor sproeikop

- 12 Slanghouder
- 13 Slanghaak (modellen zonder slanghouder)
- 14 Modeletiket
- 15 Knop voor verstelbare spuitlans
- 16 Trolleyhandgreep (verstelbare spuitlans)
- 17 Draaibare kabelhaak

**Specificaties:** Zie modeletiket (14) van het apparaat.

We behouden ons het recht voor de specificaties te wijzigen.

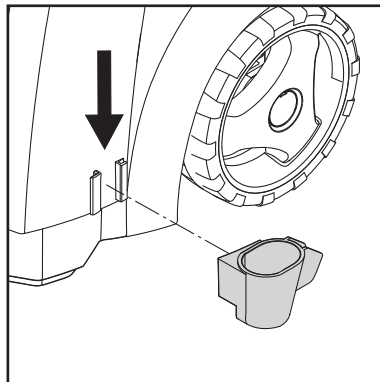
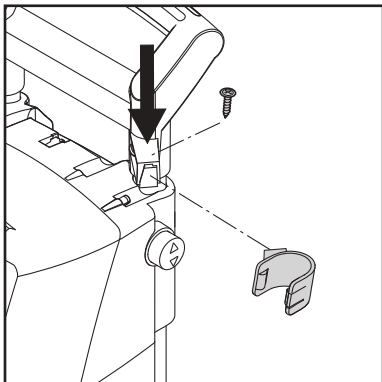
EN

## 4 Voordat u met uw drukreiniger aan de slag gaat

DA

NO

### 4.1 Montage van houders voor de spuitlans



Monteer de houders voor de spuitlans op de machine.

SV

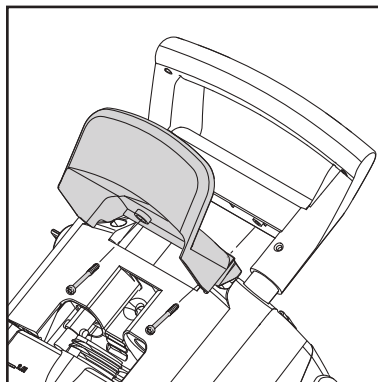
FI

DE

FR

NL

### 4.2 Montage van slanghaak (modellen zonder slanghouder)



Monteer de slanghaak (13) op het apparaat (2 schroeven)

**Opmerking:** De slanghaak kan op de voor- of achterkant worden gemonteerd. Kies de voorkant als u het product met een speciale wandhaak tegen een wand wilt opbergen.

IT

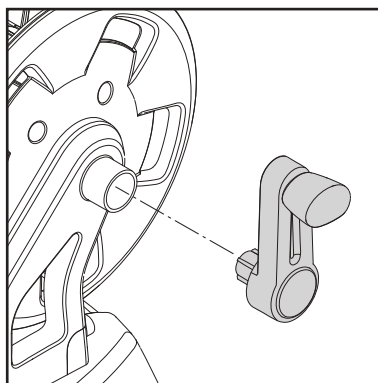
ES

PT

EL

TR

### 4.3 Bevestiging van handgreep van slanghouder (modellen met slanghouder)



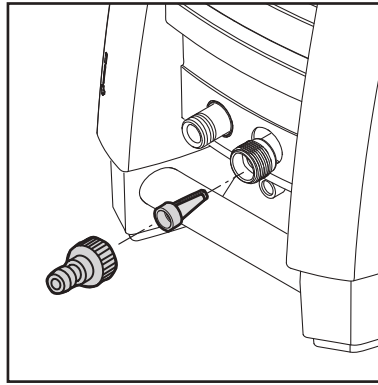
Klik de handgreep van de slanghouder vast op de trolley-handgreep (geen schroeven).

CS

HU

PL

#### 4.4 Bevestiging van snelkoppeling



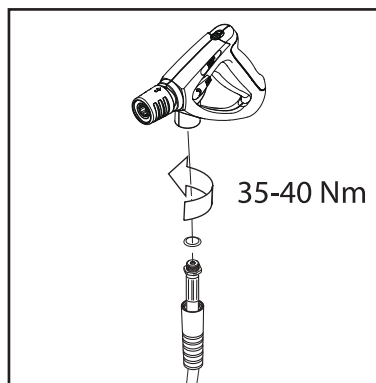
Schroef de snelkoppeling vast op de wateraansluiting (2).

**Opmerking:** Het waterinlaatfilter moet altijd in de waterinlaatpijp geplaatst worden om grotere vuildeeltjes weg te filteren, zodat zij de pompventielen niet kunnen beschadigen.



**Let op:** De garantie vervalt als u het filter niet aanbrengt.

#### 4.5 Bevestiging van de hogedrukslang op het sproeigeweer



Monteer de hogedrukslang (4) op het sproeigeweer (7).

EN

DA

NO

SV

FI

DE

FR

NL

IT

ES

PT

EL

TR

CS

HU

PL

EN

## 5 De drukreiniger gebruiken

DA

NO

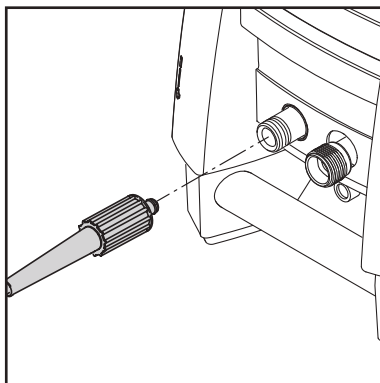
SV

FI

DE

FR

### 5.1 Aansluiting van de hogedrukslang

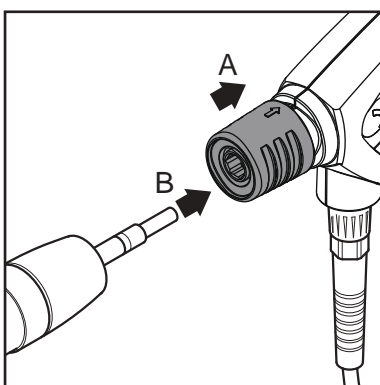


**Modellen zonder slanghouder:** Sluit de hogedrukslang (4) aan op de daarvoor bestemde aansluiting (3).

Gebruik hoogstens één verlengslang van max. 7 m.

**Modellen met slanghouder:** Rol de hogedrukslang helemaal uit.

### 5.2 Bevestiging van sproei-lans



1. Trek de blauwe snelkoppeling (A) van het spuitpistool naar achteren.
2. Duw de nippel van de spuitlans (B) in de snelkoppeling en laat deze los.
3. Trek de spuitlans (of een ander hulpstuk) naar voren om te controleren of deze stevig vastzit op het spuitpistool.

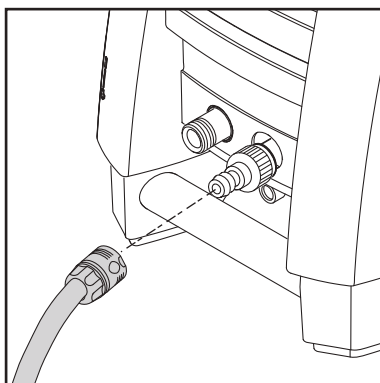


#### ATTENTIE!

Steeds vuil van de nippel verwijderen vooraleer de spuitlans met het spuitpistool wordt verbonden.

### 5.3 Wateraansluiting

Een gewone tuinslang van 12,5 mm en een lengte van **minimaal 10 m** en **maximaal 25 m** is geschikt.



**BELANGRIJK! Gebruik alleen water zonder verontreinigingen.** Als er zand in het toegevoerde water kan zitten (als dit bijvoorbeeld uit een eigen bron afkomstig is), moet u een extra filter aanbrengen.

1. Spoel de tuinslang door met water voordat u deze op het apparaat aansluit. Dit is om te voorkomen dat eventueel zand en vuil uit de tuinslang in het apparaat binnendringt.



#### Opmerking:

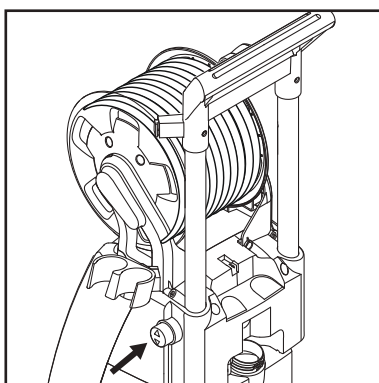
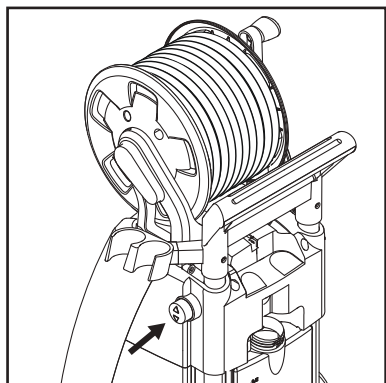
Controleer of het filter in de water-toevoerleiding is aangebracht en het niet verstopt is.

2. Sluit de tuinslang met de snelkoppeling aan op de waterkraan (toevoerwater, max. druk: 10 bar, max. temperatuur: 60 °C).
3. Draai de kraan open.



**OPMERKING:** De aansluiting op het openbare waternet dient volgens de geldende reglementen te geschieden.

## 5.4 Uitschuifbare spuitlans



Het apparaat is uitgerust met een uitschuifbare spuitlans. Om de lans te verkorten of te verlengen, drukt u de knop (16) in en schuift u de lans uit of in. Als u een klik hoort, zit de lans in de juiste positie.

## 5.5 Schakel het apparaat in en uit (na aansluiting op een kraan)



De sproeilans staat tijdens het gebruik onder druk. Houd deze daarom stevig vast met beide handen.

**BELANGRIJK: Houd de sproeikop op de grond gericht.**

1. Controleer of het apparaat verticaal staat.  
**OPMERKING:** Plaats het apparaat niet in hoog gras.
2. Ontgrendel de trekker.
3. Activeer de handgreep van het spuitpistool en laat het water lopen totdat alle lucht is ontsnapt uit de hogedrukslang.
4. Zet de start/stop schakelaar (1) in positie
5. Druk op de trekker van het sproeigeweel.

Pas de afstand en daarmee de druk van de sproeikop altijd aan het te reinigen oppervlak aan.

## 5.6 Start het apparaat (indien aangesloten op open reservoirs (zuigmodel))

Het reinigingsapparaat kan bijvoorbeeld water uit een regenton gebruiken. De slang voor watertoevoer mag niet langer zijn dan ca. 5 meter.

Zorg dat het waterreservoir hoger staat dan het apparaat.

Gebruik een extern filter als het water onzuiverheden bevat.

1. Zorg dat de waterslang volledig met water is gevuld voordat deze wordt aangesloten op de machine. Leg

Dek het apparaat tijdens het gebruik niet af.



**Opmerking:** Als u het apparaat langer dan 5 minuten alleen laat of niet gebruikt, moet u het uitschakelaar met de aan-/uitschakelaar (1) "O"

1. Zet de start/stop schakelaar (1) in positie "O".
2. Verwijder de stekker uit de stroomaansluiting.
3. Sluit de watertoevoer en druk op de trekker om de druk van het apparaat weg te nemen.
4. Monteer het spuitpistool en daarna de lans..

Wanneer u de trekker van het sproeigeweel loslaat, stopt het apparaat automatisch. Het apparaat start opnieuw wanneer u het sproeigeweel opnieuw activeert.

- de gehele slang in een tank of emmer. Vouw de watertoevoerslang onder water dubbel om waterverlies te voorkomen en sluit hem vervolgens aan op de machine met de snelkoppeling. Ontvouw daarna de watertoevoerslang.
2. Demonteer het spuitpistool, de lans en de sproeier.
  3. Draai de start/stop-schakelaar in de stand
- en laat het water lopen totdat de lucht uit de waterslang en de pomp is verdreven.

EN

DA

NO

SV

FI

DE

FR

NL

IT

ES

PT

EL

TR

CS

HU

PL

EN

DA

NO

SV

FI

DE

FR

NL

IT

ES

PT

EL

TR

CS

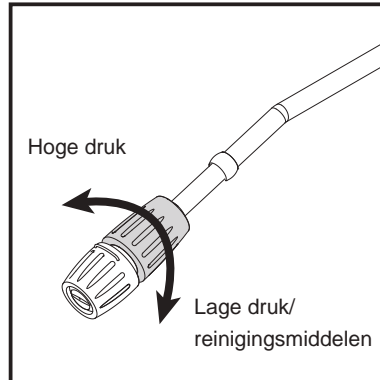
HU

PL

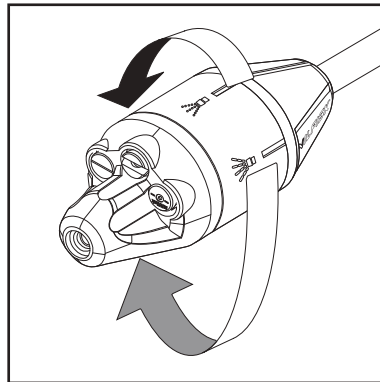
### 5.7 Drukinstelling

4. Zet de start/stop schakelaar (1) in positie "O".
5. Monteer het spuitpistool, de lans en de sproeier.

6. Zet de start/stop schakelaar (1) in positie .
7. Druk op de trekker van het sproeigeweer.

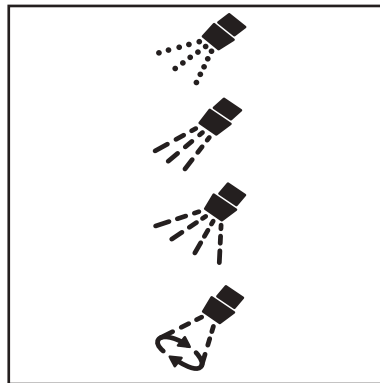


**Flexopower Plus sproeikop:**  
U kunt de druk van de Flexopower Plus sproeikop instellen.



**T og XT modeller:**

**4-in-1 sproeikop**  
De druk kan ingesteld worden op de 4-in-1 spuitlans.



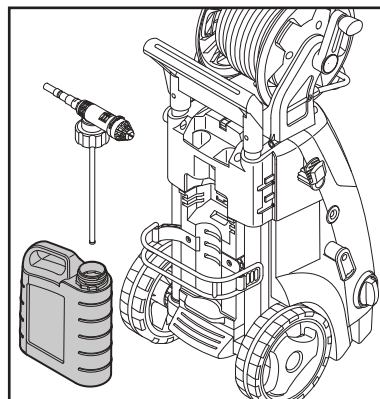
Lage druk/reinigingsmiddelen

Tornado / hoge druk

Brede hoek / hoge druk

Turbohammer / hoge druk

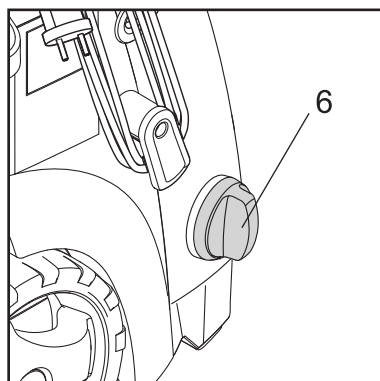
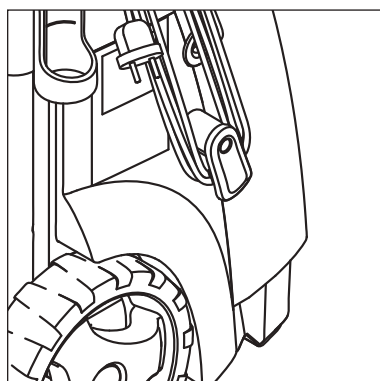
### 5.8 Werking met reinigingsmiddelen



1. Vul de container met schoonmaakmiddel.
2. Breng het schoonmaakmiddel van onder naar boven aan.
3. Laat het schoonmaakmiddel inwerken gedurende de tijd die aangegeven staat op de verpakking van het schoonmaakmiddel en spoel af met schoon water of gebruik een borstel.



## 5.9 Drukregeling / watervolume (alleen modellen met knop voor drukregeling en watervolume)



De werkdruk en het watervolume kunnen worden geregeld door middel van de draaiknop voor de regeling van de druk en het watervolume (6).

# 6 Toepassingsgebieden en werkwijzen

## 6.1 Algemeen

Doelmatige reiniging onder hoge druk is gebaseerd op een paar richtlijnen en uw persoonlijke ervaring met specifieke reinigingstaken. Met de juiste accessoires en schoonmaakmiddelen kunt u de hogedrukreiniger nog efficiënter maken. Hierna volgt enige elementaire informatie over reiniging.

### 6.1.1 Schoonmaakmiddelen en schuim

Breng schuim of schoonmaakmiddelen zodanig op droge oppervlakken aan dat het chemische product direct met het vuil in aanraking komt. Schoonmaakmiddelen worden van beneden naar boven aangebracht (bijvoorbeeld op de buitenkant van een auto). Dit is ter voorkoming van "superschone" gebieden waarbij het schoonmaakmiddel zich op bepaalde plaatsen ophoopt en omlaag stroomt. Laat het schoonmaakmiddel een paar minuten inwerken voordat u het wegspoelt. Laat het schoonmaakmiddel echter nooit op het te reinigen gebied opdrogen. **Opmerking:** het is belangrijk de schoonmaakmiddelen niet op te laten drogen. Het te reinigen oppervlak kan anders beschadigd raken.

### 6.1.2 Mechanisch effect

Een extra mechanisch effect kan gewenst zijn om hardnekkig vuil te verwijderen. Speciale wasborstels geven een verbeterde werking, waardoor vastzittend vuil, wegvuil e.d. worden verwijderd.

EN

DA

NO

SV

FI

DE

FR

NL

IT

ES

PT

EL

TR

CS

HU

PL

EN

# 7 Na gebruik van uw drukreiniger

DA

NO

SV

FI

DE

FR

NL

IT

ES

PT

EL

TR

CS

HU

PL

## 7.1 De reiniger opbergen



### De hogedrukreiniger moet vorstvrij opgeborgen worden!

Voor het opbergen van de hogedrukreiniger moeten de pomp, slang en accessoires watervrij zijn:

1. Schakel de machine uit (draai de aan/uitschakelaar (1) op "O") en ontkoppel de waterslang en het hulpstuk.
2. Zet de machine weer aan en knijp de pistoolgreep in. Laat de machine aan staan totdat er geen water meer uit het spuitpistool komt.
3. Schakel de machine uit en trek de stekker eruit. Rol de elektriciteitskabel op rond de haken aan de zijkant van de hogedrukreiniger.
4. Scheid het spuitpistool en de lans van elkaar.

5. **Modellen zonder slanghouder:** Ontkoppel de hogedrukslang, rol hem op en hang hem aan de daarvoor bestemde haak.

**Modellen met slanghouder:** Rol de hogedrukslang op met de slanghaspel.

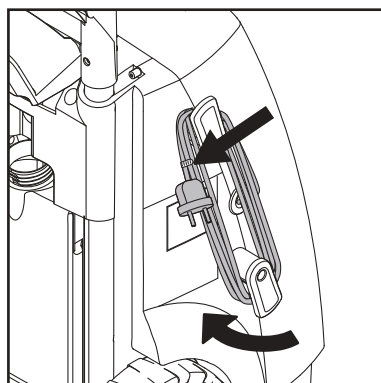
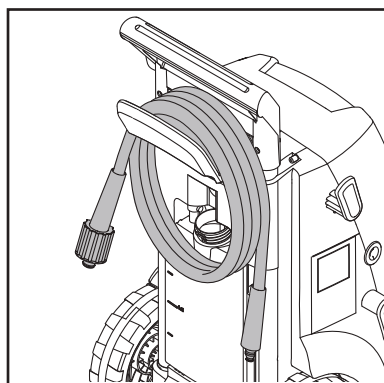
6. Plaats het spuitpistool, de spuitmonden en andere accessoires in de daarvoor bestemde opbergvakken van de hogedrukreiniger.

Mocht de machine per ongeluk zijn bevroren, laat hem dan ontdooien en controleer op schade.

### START NOOIT EEN HOGEDRUKREINIGER IN BEVROREN TOESTAND

**Schade door bevrozing wordt niet door de garantie gedekt!**

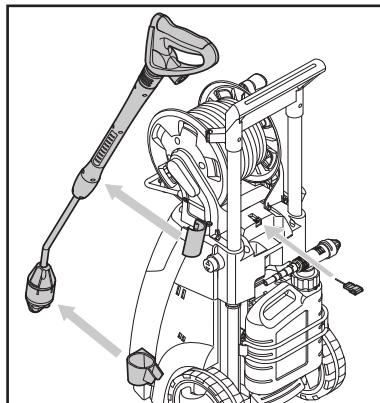
## 7.2 Oprollen van netsnoer en hogedrukslang



Rol om ongelukken te voorkomen het netsnoer en de hogedrukslang altijd goed op.

1. Rol het elektriciteits snoer rond de daarvoor bestemde haken. Ingebouwde clip voor betere greep. Door de onderste haak om te draaien, ontkoppelt u de stroomkabel.
2. De hogedrukreiniger is in twee uitvoeringen beschikbaar: A) met een haak om de hogedrukslang op te bergen (13) – B) met een slanghouder (12).

### 7.3 Opbergen van accessoires



U kunt de standaard-accessoires (sproeigeweef, sproeilans (A) en het reinigingsinstrument) op de drukreiniger opslaan.

EN

DA

NO

SV

FI

DE

FR

NL

IT

ES

PT

EL

TR

CS

HU

PL

## 8 Onderhoud



**WAARSCHUWING!** Verwijder de stroomstekker altijd uit het contact voordat u tot onderhoud of reiniging overgaat.

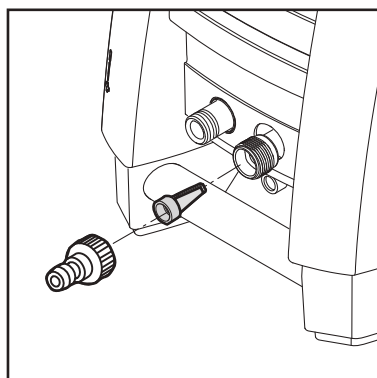
Respecteer de volgende punten om langdurig probleemloos functioneren te waarborgen:

- Spoel de tuinslang, hogedrukslang, sproeilans en accessoires door voordat u deze monteert.

- Verwijder alle stof en zand van de aansluitingen.
- Reinig de sproeikoppen.

Alle reparaties moeten door een erkend reparateur met originele reserveonderdelen worden uitgevoerd.

### 8.1 Reiniging van het watertoevoerfilter



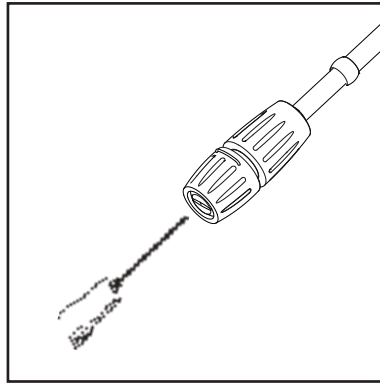
Reinig al naar gelang het gebruik het watertoevoerfilter één keer per maand of vaker. Maak het filter voorzichtig los met een tang en reinig het. Controleer of het onbeschadigd is voordat u het terugplaatst.

Het waterinlaatfilter moet altijd in de waterinlaatpijp geplaatst worden om diverse vuildeeltjes weg te filteren, zodat zij de pompventielen niet kunnen beschadigen.

**LET OP:** De garantie vervalt als u het filter niet aanbrengt.

EN

## 8.2 Sproeikoppen reinigen



Een verstopte sproeikop kan tot hoge druk in een pomp veroorzaken. Daarom moet de sproeikop onmiddellijk gereinigd worden.

1. Schakel het apparaat uit en verwijder de sproeikop.
2. Reinig de sproeikop.

**BELANGRIJK:** Gebruik het reinigingsinstrument voor sproeikoppen (11) alleen wanneer de sproeikop is losgemaakt.

3. Spoel de sproeikop naar achter met water door.

DA

NO

SV

FI

DE

FR

## 8.3 Reiniging van de ventilatieopeningen van het apparaat

Houd het apparaat schoon en zorg dat de koellucht vrij door de ventilatieopeningen kan worden gevoerd.

NL

IT

## 8.4 Verbindingsstukken smeren

Smeer de verbindingstukken geregeld om ze soepel te houden en te voorkomen dat de o-ringen uitdrogen.

ES

PT

EL

TR

CS

HU

PL

# 9 Probleemoplossing

EN

DA

NO

SV

FI

DE

FR

NL

IT

ES

PT

EL

TR

CS

HU

PL

Om overbodige teleurstellingen te voorkomen, moet u de volgende punten controleren voordat u contact opneemt met de servicedienst van Nilfisk:

Symptoom	Oorzaak	Aanbevolen oplossing
<b>Het apparaat start niet</b>	De stekker zit niet in het stopcontact Het stopcontact is defect Er is een zekering doorgeslagen Defect verlengsnoer	Steek de stekker in het stopcontact.  Probeer een ander stopcontact. Vervang de zekering. Schakel alle andere apparaten uit. Gebruik het apparaat zonder het verlengsnoer.
<b>Wisselende druk</b>	De pomp zuigt lucht aan  Kleppen zijn vuil, versleten of vastgelopen  De pompafdichtingen zijn versleten	Controleer of de slangen en aansluitingen luchtdicht zijn. Reinig ze en plaats ze terug, of neem contact op met een plaatselijke distributeur van Nilfisk.  Reinig ze en plaats ze terug, of neem contact op met een plaatselijke distributeur van Nilfisk.
<b>De motor broemt</b>	Lage spanning of lage temperatuur	Druk op de trekker van het sproeigeweer.
<b>Het apparaat stopt</b>	Er is een zekering doorgeslagen Onjuiste netspanning  Warmtesensor geactiveerd Sproeikop gedeeltelijk geblokkeerd	Vervang de zekering. Schakel alle andere apparaten uit. Controleer of de netspanning overeenkomt met de specificaties op het model etiket. Laat de reiniger 5 minuten afkoelen. Reinig de sproeikop (zie paragraaf 7.2).
<b>Zekering slaat door</b>	Te lichte zekering	Gebruik een stroomvoorziening met een hoger amperage dan voor het apparaat nodig is. Gebruik het apparaat zonder het verlengsnoer.
<b>Het apparaat pulseert</b>	Er zit lucht in de toevoerslang/pomp Onvoldoende toevoer van kraanwater  Sproeikop gedeeltelijk geblokkeerd Het waterfilter is verstopt Er zit een knik in de slang	Druk op de trekker totdat de normale werkdruk is hersteld. Controleer of de watertoevoer voldoet aan de vereiste specificaties (zie model etiket). <b>N.B.:</b> gebruik geen lange, dunne slangen (min. 13 mm). Reinig de sproeikop (zie paragraaf 7.2).  Reinig het filter (zie paragraaf 7.1). Trek de slang recht.
<b>Het apparaat start en stopt vaak vanzelf</b>	Sproeigeweer lekt	Neem contact met het dichtstbijzijnde servicecentrum van Nilfisk. Vervang zitting / bal / O-ring in de klep van het sproeigeweer.
<b>Het apparaat start maar zijn er komt geen water uit</b>	Pomp/slangen of accessoire bevroren Geen watertoevoer Het waterfilter is verstopt Sproeikop verstopt	Wacht totdat de pomp/slangen/accessoires ontdooid. Sluit de watertoevoer aan. Reinig het filter (zie paragraaf 7.1). Reinig de sproeikop (zie paragraaf 7.2).
<b>Pompdruk valt weg</b>	Regelingsknop voor druk/watervolume verkeerd afgesteld	Stel de knop in op de juiste werkdruk.

Als er een ander probleem dan een van de hiervoor genoemde optreedt, neemt u contact op het uw plaatselijke Nilfisk-distributeur.

EN

# 10 Verdere informatie

DA

NO

## 10.1 Garantievorwaarden

Neem voor service en onderhoud a.u.b. contact op met uw dealer.

SV

FI

DE

# 11 Belangrijkste technische gegevens

FR

NL

Type		MC2C-60/520 XT US-CAN	MC2C-80/520 T	MC2C-120/520 T	MC2C-120/520 XT	MC2C-140/610 XT	MC2C-140/610 P	MC2C-150/650	MC2C-140/650 (EXPT)	MC2C-150/650 XT
Nominale druk	bar/MPa	60/6,0	80/8,0	120/12	120/12	140/14	140/14	150/15	140/14	150/15
Reinigingsimpact	kg/kracht	2	2	2,2	2,2	2,5	2,5	2,9	2,9	2,9
Gewogen toevoer	Qmax/ QIEC l/min	2,3/2,2 gallon	8,7/8,2	8,7/7,8	8,7/7,8	10,2/9,0	10,2/9,0	10,8/9,5	10,8/9,5	10,8/9,5
Spanning/fase/ frequentie/ stroomsterkte	V/-/Hz/A	120/1/ 60/15	115-127/1/ 60/15	230/1/ 50/10	230/1/ 50/10	230/1/ 50/12,6	230/1/ 50/12,6	230/1/ 50/14,5	220/1/ 60/14,5	230/1/ 50/14,5
Max. water- temperatuur	°C	60	60	60	60	60	60	60	60	60
Kabel	m	10	5	5	5	5	5	5	5	5
Pomp	tpm	3400	3400	2800	2800	2800	2800	2800	3400	2800
Afmetingen sproeier	1/8"	0,475	0,475	0,340	0,340	0,340	0,370	0,340	0,350	0,340
Geluidsruk- niveau LpA	dB(A)	72 ±2	72 ±2	72 ±2	72 ±2	72 ±2	72 ±2	72 ±2	72 ±2	72 ±2
Geluids- vermogens- niveau LwA	dB(A)	89	86	86	86	86	86	88	88	88
Vibratie con- form de norm ISO 5349	m/s <sup>2</sup>	< 2,5	< 2,5	< 2,5	< 2,5	< 2,5	< 2,5	< 2,5	< 2,5	< 2,5
Gewicht	kg	28,6	27,3	27,3	28,1	28,1	28,1	26,3	26,3	28,1

IT

ES

PT

EL

TR

CS

HU

PL

# 12 Verklaring

Wij,

Nilfisk A/S  
Marmorvej 8  
2100 Copenhagen Ø  
DENEMARKEN

Verklaren hierbij onder onze exclusieve verantwoordelijkheid dat de

Producten: HPW – Professional – Mobile – EI – CW  
Beschrijving: 230 V, 50 Hz, IPX5  
Type: MC2C-120/520 T, -120/520 XT, -140/610 XT, -150/650 XT, -140/650 EXPT

Voldoen aan de volgende normen:

EN 60335-1:2012+A11:2014+A13:2017+A1:2019+A14:2019+A2:2019+A15:2021+A16:2023  
EN 60335-2-79:2012  
EN 55014-1:2021  
EN 55014-2:2021  
EN 61000-3-2:2019+A1:2021  
EN 61000-3-11:2019  
EN 63000:2018

Conform harmonisatiewetgeving van de Europese Unie:

2006/42/EG  
2014/30/EU  
2011/65/EU  
2000/14/EG – Conformiteitsbeoordelingsprocedure volgens bijlage V.  
– Gemeten geluidsvermogensniveau: 86-88 dB(A); Gegarandeerd geluidsvermogensniveau: 89-91 dB(A)

Broendby, 2024-01-02

*Wei Guo (Warner) Guo*

Warner Guo, VP R&D, Head of Competence Center APAC • R&D

EN

DA

NO

SV

FI

DE

FR

NL

IT

ES

PT

EL

TR

CS

HU

PL

EN

# Indice

DA

NO

SV

FI

DE

FR

NL

IT

ES

PT

EL

TR

CS

HU

PL

<b>1</b>	<b>Introduzione .....</b>	<b>169</b>
	1.1 Simboli utilizzati per le istruzioni .....	169
<b>2</b>	<b>Misure di sicurezza e tecniche di lavoro .....</b>	<b>169</b>
<b>3</b>	<b>Descrizione .....</b>	<b>177</b>
	3.1 Impiego .....	177
	3.2 Elementi per il funzionamento e descrizione del modello.....	177
<b>4</b>	<b>Utilizzo dell'idropulitrice: operazioni preliminari.....</b>	<b>178</b>
	4.1 Montaggio dei supporti per la lancia .....	178
	4.2 Montaggio del gancio per il tubo.....	178
	4.3 Montaggio della mani-glia carrello (per i modelli con avvolgitubo) .....	178
	4.4 Montaggio dell'attacco rapido .....	179
	4.5 Montaggio del tubo ad alta pressione sulla pistola a spruzzo .....	179
<b>5</b>	<b>Funzionamento dell'idropulitrice .....</b>	<b>179</b>
	5.1 Collegamento del tubo ad alta pressione .....	179
	5.2 Montaggio della lancia .....	180
	5.3 Connessione acqua .....	180
	5.4 Maniglia telescopica .....	180
	5.5 Avvio e arresto della macchina (quando è collegata ad un'alimentazione dell'acqua) .....	181
	5.6 Avvio della macchina (se collegata a contenitori aperti (modalità di aspirazione)) .....	181
	5.7 Regolazione della pressione.....	181
	5.8 Funzionamento con detergenti .....	182
	5.9 Regolatore pressi one / volume dell'acqua (solo modelli dotati di pulsante per la regolazione della pressione e del volume dell'acqua) .....	182
<b>6</b>	<b>Campi di applicazione e metodi di funzionamento .....</b>	<b>183</b>
	6.1 Generale.....	183
<b>7</b>	<b>Dopo aver utilizzato l'idropulitrice .....</b>	<b>184</b>
	7.1 Riporre l'idropulitrice .....	184
	7.2 Riavvolgimento del cavo elettrico e del tubo ad alta pressione .....	184
	7.3 Sistemazione degli accessori .....	185
<b>8</b>	<b>Manutenzione.....</b>	<b>185</b>
	8.1 Pulizia del filtro dell'alimentazione dell'acqua .....	185
	8.2 Pulizia dell'ugello .....	186
	8.3 Pulizia dei fori di ventilazione della macchina.....	186
	8.4 Ingrassaggio dei giunti.....	186
<b>9</b>	<b>Individuazione dei guasti.....</b>	<b>187</b>
<b>10</b>	<b>Informazioni supplementari.....</b>	<b>188</b>
	10.1 Condizioni di garanzia .....	188
<b>11</b>	<b>Principali dati tecnici.....</b>	<b>188</b>
<b>12</b>	<b>Dichiarazione .....</b>	<b>189</b>



# 1 Introduzione

## 1.1 Simboli utilizzati per le istruzioni



Tutti i pittogrammi apposti sull'idropulitrice e sui suoi componenti vengono mostrati e spiegati nel presente manuale.

Osservare le istruzioni di sicurezza contrassegnate con il presente simbolo per prevenire infortuni alle persone o gravi danni agli oggetti materiali.



Agire con cautela quando è presente il rischio di danneggiare la macchina o i singoli componenti della stessa.



Questo simbolo indica suggerimenti ed istruzioni per semplificare il lavoro e assicurare il funzionamento in sicurezza dell'idropulitrice.

## 2 Misure di sicurezza e tecniche di lavoro



Prima di avviare la macchina per la prima volta, leggere attentamente il presente manuale di istruzioni. Conservare le istruzioni per un'eventuale consultazione futura.



### Attenzione!

- Inalare aerosol può essere pericoloso per la salute. Se necessario, utilizzare un dispositivo per evitare o ridurre la produzione di aerosol, ad esempio uno schermo di protezione dell'ugello. Per proteggersi dagli aerosol utilizzare una maschera respiratoria di classe FFP 2 o superiore.
- L'alta pressione dell'acqua generata dalla macchina e il collegamento elettrico costituiscono particolari fonti di pericolo.
- Le macchine non devono essere utilizzate da bambini o persone non appositamente istruite. Non permettere che venga utilizzata come giocattolo da parte dei bambini.
- Non utilizzare la macchina in stretta vicinanza di persone che non indossino un adeguato abbigliamento protettivo.
- Prima di avviare la macchina, verificare attentamente che non vi siano difetti. Se vengono riscontrati dei difetti, non avviare la macchina e contattare il rivenditore Nilfisk. L'isolamento del cavo elettrico non deve presentare difetti né incrinature. Se il cavo elettrico è danneggiato, è necessario farlo sostituire da un rivenditore autorizzato Nilfisk.

EN

DA

NO

SV

FI

DE

FR

NL

IT

ES

PT

EL

TR

CS

HU

PL

EN

DA

NO

SV

FI

DE

FR

NL

IT

ES

PT

EL

TR

CS

HU

PL

- Staccare sempre la spina dalla presa elettrica prima di eseguire interventi di pulizia o manutenzione e prima di sostituire componenti o di convertire la macchina ad altra funzione.
- Osservare le normative di sicurezza nazionali emesse, ad esempio, dall'Istituto Nazionale per l'Assicurazione contro gli Infortuni sul Lavoro, da istituzioni previdenziali, enti per la tutela della sicurezza e della salute sul lavoro o altre organizzazioni.



### **Accessori e pezzi di ricambio**

- Per garantire la sicurezza della macchina, utilizzare esclusivamente ricambi originali forniti o approvati da Nilfisk.
- I tubi flessibili, gli accessori e i dispositivi di collegamento ad alta pressione sono fondamentali per garantire un utilizzo sicuro della macchina. Utilizzare esclusivamente tubi flessibili, accessori e dispositivi di collegamento raccomandati da Nilfisk.



### **Condizioni fisiche, sensoriali o mentali**

- Non è previsto l'uso di questo apparecchio da parte di persone (bambini inclusi) con ridotte capacità fisiche o mentali o che manchino di esperienza e conoscenza dello stesso. Nel caso in cui la macchina sia utilizzata da persone con capacità fisiche, sensoriali o mentali ridotte o prive di esperienza e conoscenza è necessario che siano sorvegliate o istruite sull'uso in sicurezza della macchina e ne comprendano i rischi connessi.



### **Applicazioni**

Questa macchina è stata sviluppata per uso domestico e professionale come:

- domestico: auto, moto, barche, roulotte, rimorchi o per il cortile/la guida/ i mobili, i tosaerba.
- professionale: pulizia delle superfici, auto, camion, barche, strumenti e attrezzature.

Ogni altro uso è considerato improprio. Nilfisk non si assume alcuna responsabilità per eventuali problemi derivanti dall'utilizzo della presente macchina. Ogni

eventuale rischio per tale utilizzo è esclusivamente a carico dell'utente. L'uso corretto include anche il funzionamento, la manutenzione e le riparazioni adeguate come specificato in queste istruzioni.



### **Abbigliamento e attrezzature**

Provvedere sempre alla protezione personale quando si utilizza la macchina.

- Indossare scarpe con soles antiscivolo.
- Indossare occhiali di protezione, dispositivi di protezione acustica e indumenti protettivi durante il funzionamento.



### **Trasporto dell'idropulitrice**

- Trasportando la macchina dentro o sopra un veicolo, è necessario fissarla, ad esempio con cinghie, per impedirle di scivolare o ribaltarsi.
- Nilfisk consiglia di posizionare la macchina in orizzontale sul lato posteriore quando la si trasporta dentro o sopra un veicolo.

### **Detergenti**

- Questa macchina è stata ideata per essere utilizzata esclusivamente con detergenti forniti o raccomandati da Nilfisk. L'uso di detersivi o prodotti chimici diversi da quelli consigliati può avere effetti negativi sul funzionamento della macchina.



### **Operazioni preliminari Ispezione della macchina**

- Non utilizzare la macchina se un cavo di alimentazione o parti importanti della macchina stessa risultano danneggiati, quali ad esempio dispositivi di sicurezza, il tubo flessibile ad alta pressione, la maniglia del nebulizzatore e gli elementi di fissaggio del nebulizzatore.
- La levetta di scatto della maniglia del nebulizzatore deve potersi muovere agevolmente e tornare automaticamente in posizione di partenza non appena rilasciata.

EN

DA

NO

SV

FI

DE

FR

NL

IT

ES

PT

EL

TR

CS

HU

PL

EN

DA

NO

SV

FI

DE

FR

NL

IT

ES

PT

EL

TR

CS

HU

PL

- Mantenere sempre in buone condizioni (puliti, agevolmente mobili) e correttamente montati il tubo flessibile ad alta pressione e gli elementi di fissaggio del nebulizzatore.



## Collegamento elettrico

### Attenzione!

Ridurre al minimo il rischio di scosse elettriche:

- La tensione e la frequenza della macchina (vedi targhetta contenente i dati caratteristici) devono corrispondere alla tensione e alla frequenza dell'alimentazione di rete.
- Collegare la macchina solamente ad un impianto elettrico realizzato da un elettricista qualificato e a norma IEC 60364-1.
- È consigliabile che l'alimentazione elettrica della macchina preveda un dispositivo di protezione differenziale che interrompa l'alimentazione qualora la perdita di corrente a terra superi 30 mA per 30 ms.
- Usare un avviamento motore/dei fusibili ritardati con caratteristica C o D secondo la norma IEC/EN 60898-1 / IEC 947-2 o le norme corrispondenti esterne alla IEC.
- A causa dell'elevato consumo energetico della macchina, è necessario un fusibile di rete appropriato.
- Cavi di prolunga inadeguati possono risultare pericolosi. Se viene utilizzato un cavo di prolunga, assicurarsi che sia progettato per uso esterno e che il collegamento rimanga asciutto e lontano da terra.
- Nilfisk consiglia l'uso di un tamburo avvolgitore nel caso in cui sia necessario utilizzare un cavo di prolunga per mantenere la presa ad almeno 60 mm al di sopra del suolo.
- Se il cavo elettrico è danneggiato, deve essere sostituito da un rivenditore autorizzato Nilfisk o da simile persona qualificata, al fine di evitare rischi.
- Per il collegamento dell'idropulitrice a un sistema di alimentazione, l'impedenza massima consentita è pari a 0,4023  $\Omega$  ( $Z_{max}$ ).

- Consultare l'ente erogatore affinché l'apparecchio sia collegato esclusivamente a un'alimentazione di tale impedenza o inferiore.



## Collegamento dell'acqua

- È consentito collegare questa idropulitrice ad alta pressione solo con la rete di alimentazione dell'acqua potabile, qualora sia stato installato un dispositivo antiriflusso adeguato, di tipo BA in base alla normativa EN 60335-2-79.
- Il dispositivo antiriflusso può essere ordinato con i numeri 106411177.
- Una volta passata attraverso il dispositivo antiriflusso, l'acqua non è più considerata potabile.
- Attività come l'aspirazione (ad es. da un contenitore di acqua piovana) vengono svolte senza dispositivo antiriflusso – vedi "**Collegamento all'alimentazione di acqua in assenza di pressione**". De machine kan worden aangesloten op een waterleidingnet met een maximale waterinlaatdruk van 1 MPa/10 bar en een maximale watertemperatuur van 60 °C.

## Dispositivi di sicurezza

### Dispositivo di bloccaggio sulla maniglia del nebulizzatore:

- La maniglia del nebulizzatore è dotata di un dispositivo di bloccaggio. Quando il dente d'arresto è inserito, non è possibile utilizzare la maniglia del nebulizzatore.

### Sensore termico:

- Auto-ripristino  
Un sensore termico protegge il motore da sovraccarico. La macchina si riavvierà dopo alcuni minuti quando il sensore termico si sarà raffreddato.
- Non autoripristinante (solo per modello MC2C US)  
Per il ripristino è necessaria un'operazione manuale. Per funzionamento manuale si intende lo scollegamento dell'apparecchio dalla rete di alimentazione.

EN

DA

NO

SV

FI

DE

FR

NL

IT

ES

PT

EL

TR

CS

HU

PL

EN



## Attenzione:

Per evitare pericoli derivanti dal ripristino involontario dell'interruttore termico, questo apparecchio non deve essere alimentato tramite un dispositivo di commutazione esterno, come un timer, o collegato a un circuito regolarmente acceso e spento dall'utenza.

## Dispositivo di sicurezza della pressione:

- Una valvola di sicurezza idraulica integrata protegge il sistema dalla pressione eccessiva.

DA

NO

SV

FI

DE



## Durante il lavoro

### Attenzione!

- È vietato pulire con un getto ad alta pressione superfici contenenti amianto.
- Rischio di esplosione: non spruzzare liquidi infiammabili.
- Non aspirare mai fluidi contenenti solventi (ad es., benzina, olio combustibile, diluente per vernici o acetone). Queste sostanze danneggiano i materiali utilizzati nella macchina. Inoltre, lo spruzzo da esse prodotte è altamente combustibile, esplosivo e velenoso.
- Non dirigere mai il getto di acqua verso se stessi e altre persone, nemmeno per pulire abbigliamento o calzature – **rischio di lesioni**.
- Non dirigere mai il getto di acqua verso animali domestici o altri animali.
- Non dirigere mai il getto di acqua verso apparecchiature elettriche sotto tensione o verso la macchina stessa – **pericolo di cortocircuito**.
- Sulla lancia nebulizzatrice agiscono una propulsione fino a 27,4 N e una coppia improvvisa all'attivazione della levetta della maniglia del nebulizzatore durante l'uso.
- È vietato utilizzare l'idropulitrice ad una temperatura inferiore a 0 °C.
- Non avviare la macchina se è congelata. I danni provocati dal gelo non sono coperti da garanzia!

FR

NL

IT

ES

PT

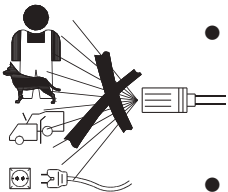
EL

TR

CS

HU

PL



- Assicurare sempre l'appoggio stabile e sicuro della macchina.
- È necessario far funzionare la macchina in posizione eretta.
- Se la macchina non viene utilizzata per 5 minuti, è necessario spegnerla premendo l'interruttore Start/stop "O" (1).

EN

DA

NO

SV

FI

DE

FR

NL

IT

ES

PT

EL

TR

CS

HU

PL



## Al termine del lavoro

### ATTENZIONE!

- Spegnerne sempre la macchina e staccare la spina dalla presa elettrica dopo il lavoro e quando la si lascia incustodita.
- Scollegare il tubo flessibile di alimentazione dell'acqua fra la macchina e l'alimentazione dell'acqua.
- Svuotare sempre la pompa, il tubo flessibile e gli accessori dall'acqua dopo avere utilizzato la macchina e prima di riporla.



## Manutenzione e riparazioni

### ATTENZIONE!

- Staccare sempre la spina elettrica dalla presa prima di ogni intervento di manutenzione, pulizia e riparazione.
- Le riparazioni devono sempre essere eseguite presso officine autorizzate Nilfisk con ricambi originali Nilfisk.
- Non tentare interventi di manutenzione che non siano descritti nelle istruzioni.
- Se la macchina non si avvia, si ferma, pulsa, presenta fluttuazioni di pressione, rivela un ronzio proveniente dal motore, fusibili bruciati o se non fuoriesce acqua, consultare la tabella di individuazione dei guasti nelle presenti istruzioni. In caso di altri problemi, contattare il rivenditore locale Nilfisk.
- La pulizia e la manutenzione dell'apparecchio non devono essere eseguite da bambini senza supervisione.

EN

DA

NO

SV

FI

DE

FR

NL

**IT**

ES

PT

EL

TR

CS

HU

PL



## **Smaltimento corretto di questo prodotto**

Questo marchio indica che questo prodotto non deve essere smaltito insieme ai normali rifiuti domestici in tutta l'Unione Europea. Per impedire possibili danni all'ambiente o alla salute umana dovuti a uno smaltimento incontrollato dei rifiuti, riciclare il prodotto in modo responsabile per favorire il riutilizzo sostenibile delle risorse materiali. Per restituire il dispositivo utilizzato, servirsi dei sistemi di restituzione e raccolta o contattare il rivenditore presso il quale è stato effettuato l'acquisto, che saranno in grado di ritirare il prodotto per riciclarlo in modo ecosostenibile.



# 3 Descrizione

EN

DA

NO

SV

FI

DE

FR

NL

**IT**

ES

PT

EL

TR

CS

HU

PL

## 3.1 Impiego

L'idropulitrice è stata realizzata per la pulizia di routine semi professionale:

- *Lavori di artigianato professionale, pulizia di veicoli, barche, roulotte e lavori di pulizia minori all'interno di edifici e costruzioni*

Nella sezione 6 viene illustrato l'impiego dell'idropulitrice per vari lavori di pulizia.

Utilizzare l'idropulitrice solo per gli scopi descritti nel presente manuale.

È necessario osservare le misure di sicurezza per evitare danni alla macchina e alla superficie da pulire, o gravi lesioni alle persone.

## 3.2 Elementi per il funzionamento e descrizione del modello



Vedere la figura alla fine del presente manuale.

- 1 Interruttore avvio/arresto
- 2 Alimentazione acqua (con filtro)
- 3 Connessione ad alta pressione (solo modelli privi di avvolgitubo)
- 4 Tubo ad alta pressione
- 5 Cavo elettrico
- 6 Regolatore pressione / volume dell'acqua (non standard)
- 7 Ergo 2000 pistola a spruzzo con dispositivo di bloccaggio
- 8 Ugello Flexopower Plus
- 9 Lancia nebulizzatrice 4 in 1 (modelli T e XT)

10 Contenitore staccabile per detersivi

11 Utensile di pulizia ad ugello

12 Avvolgitubo

13 Gancio per tubo (solo modelli privi di avvolgitubo)

14 Targhetta modello

15 Pulsante della maniglia telescopica

16 Maniglia carrello (maniglia telescopica)

17 Gancio per il cavo ruotabile

**Caratteristiche:** Vedi targhetta del modello (14) della macchina.

Salvo modifiche tecniche.

EN

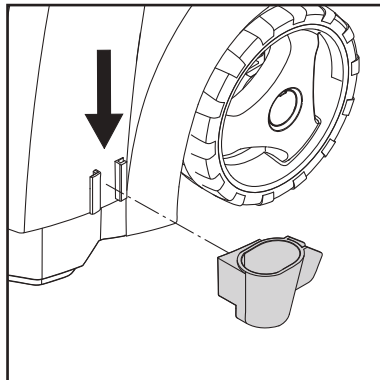
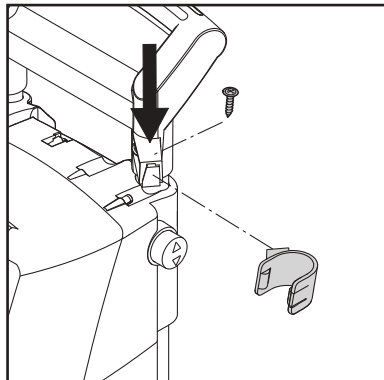
## 4 Utilizzo dell'idropulitrice: operazioni preliminari

DA

NO

### 4.1 Montaggio dei supporti per la lancia

SV



Montare i supporti per la lancia sulla macchina.

FI

DE

FR

NL

IT

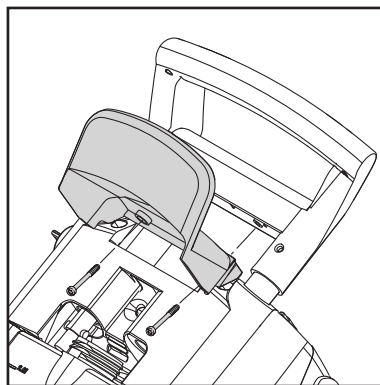
### 4.2 Montaggio del gancio per il tubo per il tubo

ES

PT

EL

TR



Montare il gancio per il tubo (13) sulla macchina (2 viti).

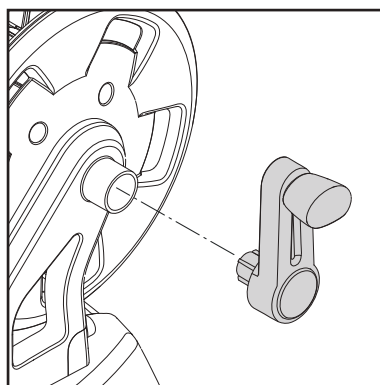
**Nota:** È possibile montare il gancio per il tubo sia nella parte anteriore, che in quella posteriore. È necessario utilizzare la parte frontale se il prodotto viene riposto a parete con uno speciale gancio a muro.

CS

HU

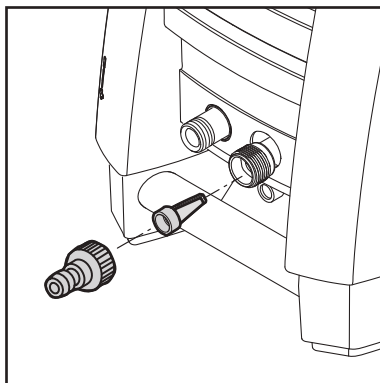
PL

### 4.3 Montaggio della maniglia carrello (per i modelli con avvolgitubo)



Inserire fino a a quando non si sente uno scatto che conferma l'inserimento della maniglia dell'avvolgitubo nella maniglia carrello (senza viti).

#### 4.4 Montaggio dell'attacco rapido



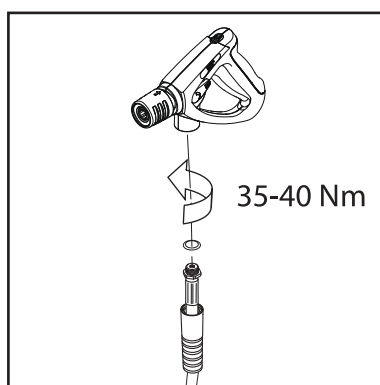
1. Avvitare l'attacco rapido all'alimentazione dell'acqua (2).

**Nota:** Il filtro di alimentazione deve essere sempre inserito nel tubo dell'alimentazione dell'acqua per filtrare le impurità maggiori che possono danneggiare le valvole della pompa.



**Attenzione:** L'inserimento errato del filtro annulla la garanzia.

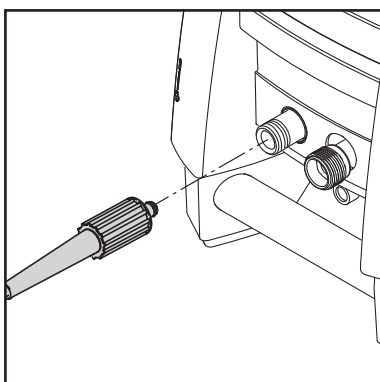
#### 4.5 Montaggio del tubo ad alta pressione sulla pistola a spruzzo



Montare il tubo ad alta pressione (4) sulla pistola a spruzzo (7).

## 5 Funzionamento dell'idropulitrice

#### 5.1 Collegamento del tubo ad alta pressione



**Modelli senza avvolgitubo:**  
Collegare il tubo ad alta pressione (4) al raccordo per tubo ad alta pressione (3).

Usare una sola prolunga di max. 7 m.

**Modelli con avvolgitubo:**  
Srotolare completamente il tubo ad alta pressione.

EN

DA

NO

SV

FI

DE

FR

NL

**IT**

ES

PT

EL

TR

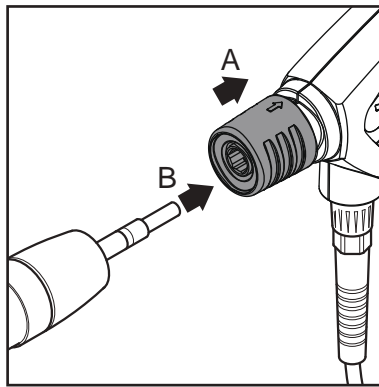
CS

HU

PL

EN

## 5.2 Montaggio della lancia



1. Tirare all'indietro la manopola blu a rapido rilascio (A) della pistola a spruzzo.
2. Inserire il rubinetto della lancia (B) nel collegamento a rapido rilascio e rilasciarlo.
3. Tirare in avanti la lancia (o un altro accessorio) per verificare che sia collegata in modo saldo alla pistola a spruzzo.

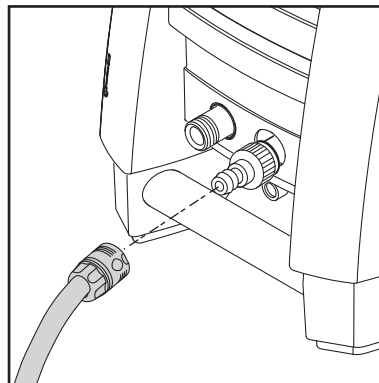


### AVVERTENZA!

Ripulire sempre il beccuccio da eventuali particelle di sporco, prima di collegarlo con la pistola da spruzzo.

## 5.3 Connessione acqua

Utilizzare un tubo da giardinaggio standard da 1/2" di min. **10 m** e max. **25 m**.



esiste il rischio che l'acqua sia contaminata con granelli di sabbia (cioè acqua proveniente da un pozzo), è necessario montare un filtro supplementare.

1. Lasciare scorrere acqua attraverso il tubo dell'acqua prima di collegarlo alla macchina, in modo da evitare che sabbia e impurità penetrino nella macchina.



**Nota:** Verificare che il filtro sia inserito nel tubo

dell'alimentazione dell'acqua e che non sia intasato.

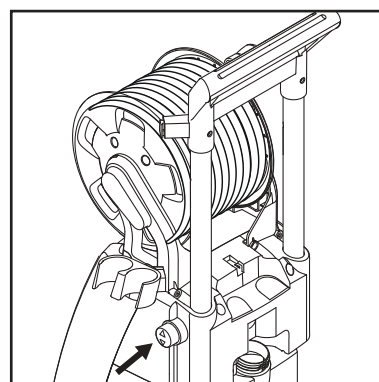
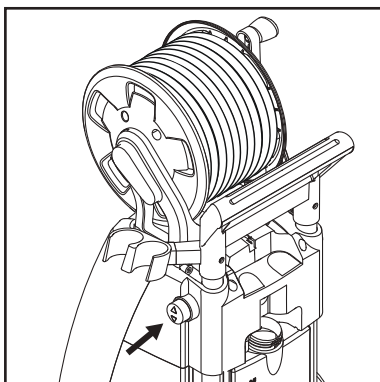
2. Collegare il tubo dell'acqua all'alimentazione dell'acqua mediante il connettore rapido (alimentazione acqua, pressione max.: 10 bar, temperatura max.: 60 °C).
3. Aprire l'acqua.



**NOTA:** connessione alla rete di alimentazione pubblica, in conformità alle norme.

**IMPORTANTE!** Utilizzare solo acqua priva di impurità. Se

## 5.4 Maniglia telescopica



La macchina è dotata di una maniglia telescopica. Per allungare o accorciare la maniglia, premere la manopola e muovere la maniglia verso l'alto o verso il basso. Quando si sente un clic, la maniglia è nella posizione corretta.

## 5.5 Avvio e arresto della macchina (quando è collegata ad un'alimentazione dell'acqua)



La lancia sviluppa una propulsione durante il funzionamento, si consiglia pertanto di tenere la lancia saldamente con entrambe le mani.

**IMPORTANTE: Puntare l'ugello verso il basso.**

1. Accertarsi che la macchina si trovi in posizione dritta.  
**NOTA:** Non collocare la macchina sull'erba alta!
2. Rilasciare il blocco a scatto.
3. Attivare la levetta di scatto della maniglia del nebulizzatore e fare scorrere acqua finché l'aria non è fuoriuscita completamente dal tubo flessibile ad alta pressione.
4. Ruotare l'interruttore di Start/stop (1) nella posizione
5. Attivare la levetta a scatto della pistola a spruzzo.

Regolare sempre la distanza e la pressione dell'ugello dalla superficie da pulire.

## 5.6 Avvio della macchina (se collegata a contenitori aperti (modalità di aspirazione))

L'idropulitrice può prendere l'acqua ad esempio da un serbatoio di acqua piovana. Il tubo dell'alimentazione dell'acqua non deve essere troppo lungo, circa 5 m.

Accertarsi che il serbatoio dell'acqua sia collocato più in basso rispetto alla macchina.

Utilizzare un filtro esterno se l'acqua contiene delle impurità.

1. Accertarsi che il tubo dell'acqua sia completamente riempito d'acqua prima di collegarlo alla macchina. Collocare l'intero tubo in un serbatoio o in un secchio. Per evitare perdite, arrotolare sott'acqua il tubo di

Non coprire la macchina durante il funzionamento e non utilizzarla in un luogo senza adeguata ventilazione.



**Nota:** Se la macchina non viene utilizzata

per 5 minuti, è necessario spegnerla premendo l'interruttore Start/stop "O" (1):

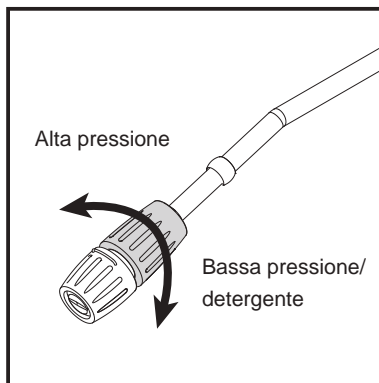
1. Ruotare l'interruttore di Start/stop (1) nella posizione "O".
2. Togliere la spina dalla presa elettrica.
3. Chiudere l'alimentazione dell'acqua e attivare la levetta a scatto per far scendere la pressione.
4. Bloccare la pistola a spruzzo.

Rilasciando la levetta a scatto della pistola, la macchina si arresta automaticamente e riparte quando si riattiva la pistola.

entrata dell'acqua, collegare il tubo alla macchina con l'attacco rapido, quindi srotolare il tubo di entrata dell'acqua.

2. Smontare la maniglia del nebulizzatore, la lancia e l'ugello.
3. Ruotare l'interruttore di Start/stop (1) nella posizione e fare scorrere acqua finché l'aria non è fuoriuscita completamente dal tubo dell'acqua e dalla pompa.
4. Ruotare l'interruttore di Start/stop (1) nella posizione "O".
5. Montare la maniglia del nebulizzatore e quindi la lancia.
6. Ruotare l'interruttore di Start/stop (1) nella posizione .
7. Attivare la levetta a scatto della pistola a spruzzo.

## 5.7 Regolazione della pressione



### Ugello Flexopower Plus:

La pressione può essere regolata nell'ugello Flexopower Plus.

EN

DA

NO

SV

FI

DE

FR

NL

IT

ES

PT

EL

TR

CS

HU

PL

EN

DA

NO

SV

FI

DE

FR

NL

IT

ES

PT

EL

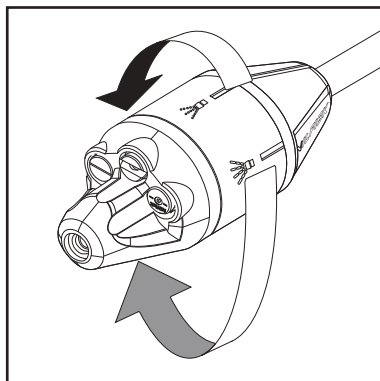
TR

CS

HU

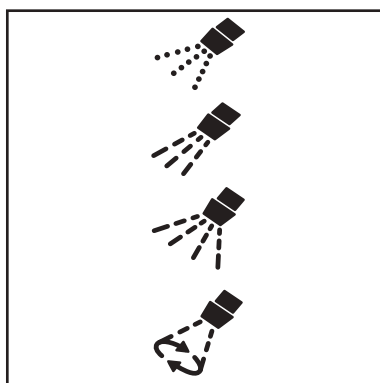
PL

## 5.8 Funzionamento con detersivi



### Modelli T e XT:

Lancia nebulizzatrice 4 in 1  
La pressione può essere regolata sulla lancia nebulizzatrice 4 in 1.



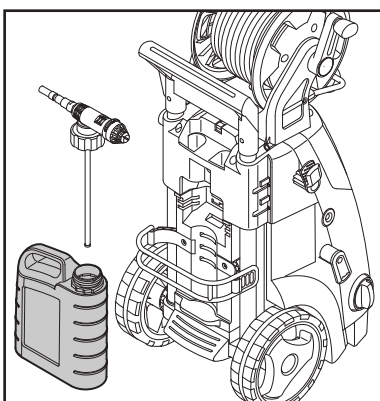
Bassa pressione / detersivo

Tornado / alta pressione

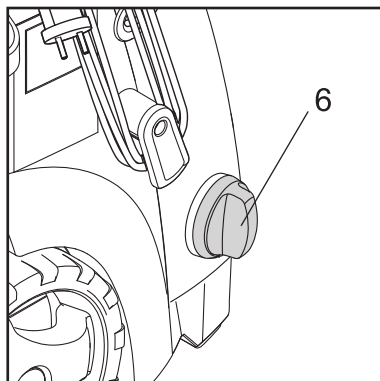
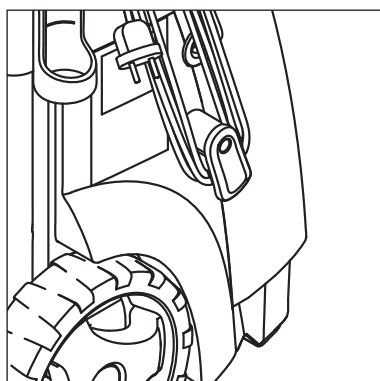
Grandangolare / alta pressione

Turbo / alta pressione

## 5.9 Regolatore pressione / volume dell'acqua (solo modelli dotati di pulsante per la regolazione della pressione e del volume dell'acqua)



1. Riempire il contenitore con il detersivo.
2. Applicare il detersivo dal basso e dall'alto.
3. Lasciare agire il detersivo per il tempo indicato sulla confezione del detersivo e sciacquare con acqua pura o utilizzare una spazzola.



La pressione di lavoro e il volume dell'acqua possono essere regolati girando la manopola per la regolazione della pressione e del volume dell'acqua (6).

# 6 Campi di applicazione e metodi di funzionamento

EN

DA

NO

SV

FI

DE

FR

NL

**IT**

ES

PT

EL

TR

CS

HU

PL

## 6.1 Generale

È possibile ottenere una pulizia ad alta pressione efficace seguendo alcune linee guida associate all'esperienza personale nell'eseguire determinati lavori di pulizia. Gli accessori e i detergenti, se scelti correttamente, possono migliorare l'efficacia dell'idropulitrice. Qui di seguito alcune informazioni di base sulla pulizia in generale.

### 6.1.1 Detergente e schiuma

Applicare la schiuma o il detergente su superficie asciutte in modo che il prodotto chimico venga a diretto contatto con lo sporco. Applicare i detergenti dal basso verso l'alto, ad esempio quando si lava una macchina, per evitare zone "superpulite" dove il detergente si accumula in maggiore concentrazione e scorre via verso il basso. Lasciare agire il detergente per alcuni minuti prima di risciacquare, ma non lasciarlo asciugare sulla superficie da pulire.

**Nota:** È importante che i detergenti non si secchino, altrimenti la superficie da pulire può danneggiarsi.

### 6.1.2 Effetto meccanico

Per riuscire a rimuovere forti strati di sporco può essere necessario l'effetto meccanico addizionale. Delle spazzole speciali eseguono questa funzione supplementare che consente di rimuovere lo sporco ostinato, la pellicola causata dal traffico e così via.

EN

# 7 Dopo aver utilizzato l'idropulitrice

DA

## 7.1 Riporre l'idropulitrice



**La macchina deve essere riposta in un locale protetto dal gelo.**

La pompa, il tubo e gli altri accessori devono essere sempre svuotati dell'acqua prima di riporli nel seguente modo:

1. Arrestare la macchina (posizionare l'interruttore marcia/arresto su "O") e staccare il tubo dell'acqua e gli accessori.
2. Riavviare la macchina e attivare il grilletto. Far funzionare la macchina fino a quando non scorra più acqua nella pistola.
3. Arrestare la macchina e staccare la presa. Avvolgere il cavo elettrico intorno ai ganci sul lato della macchina.
4. Separare la maniglia del nebulizzatore e la lancia.

**5. Modelli senza avvolgitubo:** Staccare il tubo ad alta pressione, arrotolarlo e riporlo nell'apposito alloggiamento.

**Modelli con avvolgitubo:** Avvolgere il tubo ad alta pressione sull'avvolgitubo.

6. Riporre la pistola di lavaggio, gli ugelli e gli altri accessori negli appositi spazi presenti sulla macchina.

Se per errore la macchina si congela, lasciare che si sciolga il ghiaccio accertarsi che non si sia danneggiata.

**NON METTERE MAI IN FUNZIONE LA MACCHINA SE CONGELATA.**

**I danni causati dal gelo non sono coperti da garanzia.**

DE

FR

NL

IT

ES

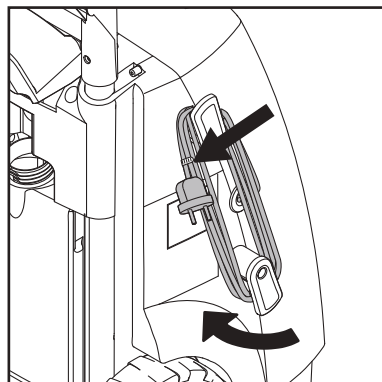
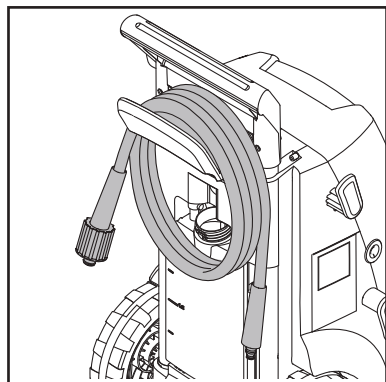
PT

EL

## 7.2 Riavvolgimento del cavo elettrico e del tubo ad alta pressione

Per evitare incidenti, è necessario riavvolgere sempre

attentamente il cavo elettrico e il tubo ad alta pressione.



1. Riavvolgere il cavo elettrico utilizzando gli appositi ganci. Clip integrata per garantire una buona tenuta. Il gancio inferiore può essere ruotato per rilasciare il cavo elettrico.

2. Sistono due modelli dell'idropulitrice: A) con gancio per riporre il tubo ad alta pressione (13) – B) con avvolgitubo (12).

TR

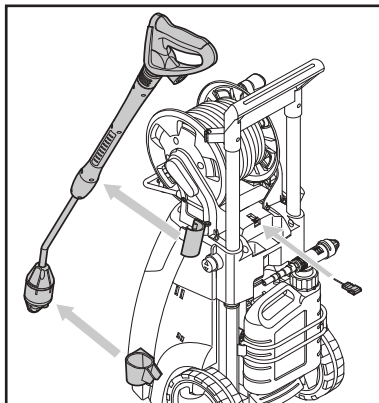
CS

HU

PL



### 7.3 Sistemazione degli accessori



Gli accessori standard (pistola a spruzzo, lancia (A), anche l'utensile di pulizia dell'ugello) possono essere riposti sull'idropulitrice.

EN

DA

NO

SV

FI

DE

FR

NL

**IT**

ES

PT

EL

TR

CS

HU

PL

## 8 Manutenzione



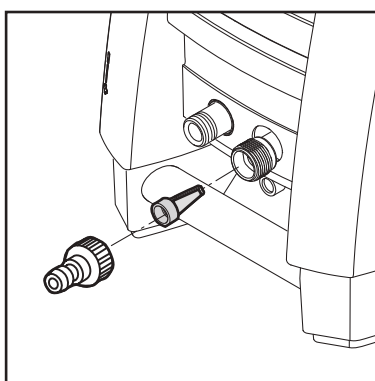
**ATTENZIONE!** Togliere sempre la spina dalla presa elettrica prima di eseguire operazioni di manutenzione o di pulizia.

Per avere un funzionamento lungo e senza problemi della macchina, rispettare le seguenti indicazioni:

- Lavare il tubo dell'acqua, il tubo ad alta pressione, la lancia e gli accessori prima del montaggio.
- Rimuovere polvere e sabbia dai connettori.
- Pulire gli ugelli.

Le riparazioni devono essere eseguite in officine autorizzate con ricambi originali.

### 8.1 Pulizia del filtro dell'alimentazione dell'acqua



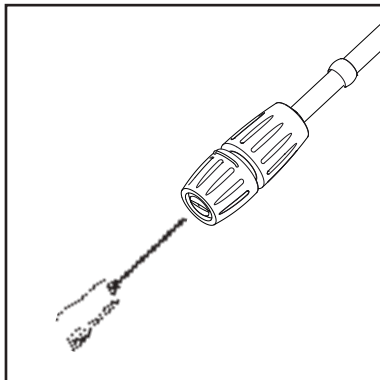
Pulire regolarmente il filtro dell'alimentazione dell'acqua una volta al mese o più frequentemente in base all'utilizzo della macchina. Allentare accuratamente il filtro con un paio di pinze e pulirlo. Accertarsi che il filtro non sia danneggiato prima di rimontarlo.

Il filtro di alimentazione deve essere sempre inserito nel tubo dell'alimentazione dell'acqua per filtrare le varie impurità che possono danneggiare le valvole della pompa.

**ATTENZIONE:** L'inserimento errato del filtro annulla la garanzia.

EN

## 8.2 Pulizia dell'ugello



Un eventuale intasamento dell'ugello provoca un aumento anomalo della pressione della pompa. Pertanto è necessario effettuare una pulizia immediatamente.

1. Arrestare la macchina e staccare l'ugello.
2. Pulire l'ugello. **IMPORTANTE:** L'utensile di pulizia (11) deve essere utilizzato solo quando l'ugello è staccato!
3. Lavare l'ugello con acqua.

DA

NO

SV

FI

DE

## 8.3 Pulizia dei fori di ventilazione della macchina

È necessario mantenere pulita la macchina, in modo da consentire il passaggio libero dell'aria di raffreddamento attraverso i fori di ventilazione.

FR

NL

IT

## 8.4 Ingrassaggio dei giunti

Per avere sempre una facile connessione e una bassa usura degli anelli di tenuta, ingrassare regolarmente i giunti.

ES

PT

EL

TR

CS

HU

PL

# 9 Individuazione dei guasti

EN

DA

NO

SV

FI

DE

FR

NL

**IT**

ES

PT

EL

TR

CS

HU

PL

Per evitare inutili inconvenienti, controllare la tabella seguente per risolvere eventuali problemi prima di contattare il servizio clienti Nilfisk:

Problema	Causa	Azione consigliata
<b>La macchina non si accende</b>	La macchina non è collegata alla presa Presa elettrica difettosa Il fusibile è bruciato  Prolunga cavo difettosa	Collegare la macchina.  Provare con un'altra presa elettrica. Sostituire il fusibile. Spegnerne altre macchine in funzione. Provare senza la prolunga.
<b>Variazioni di pressione</b>	La pompa aspira aria  Valvole sporche, usurate o bloccate Guarnizioni della pompa usurate	Accertarsi che i tubi e le connessioni siano a tenuta stagna. Pulire e sostituire le valvole, oppure contattare il rivenditore locale Nilfisk. Pulire e sostituire le guarnizioni, oppure contattare il rivenditore locale Nilfisk.
<b>Ronzio proveniente dal motore</b>	Bassa tensione o bassa temperatura	Attivare la levetta a scatto della pistola a spruzzo.
<b>La macchina si arresta</b>	Il fusibile è bruciato  Voleggio della rete di alimentazione non corretto Sensore termico attivato Ugello parzialmente bloccato	Sostituire il fusibile. Spegnerne altre macchine in funzione. Controllare che il voleggio della rete di alimentazione corrisponda alle specifiche indicate nella targhetta del modello. Far raffreddare l'idropulitrice per 5 minuti. Pulire l'ugello (vedi sezione 7.2).
<b>Fusibile bruciato</b>	Il fusibile è troppo piccolo	Sostituire con un fusibile che ha un con sumo di amp. maggiore di quello della macchina. È anche possibile provare senza la prolunga.
<b>La macchina pulsa</b>	Aria nel tubo di alimentazione/pompa  Alimentazione inadeguata di acqua  Ugello parzialmente bloccato Filtro dell'acqua bloccato Tubo attorcigliato	Far funzionare la macchina con la levetta aperta sino a quando non si ristabilizza una normale pressione di funzionamento. Controllare che l'alimentazione dell'acqua corrisponda alle specifiche indicate nella targhetta del modello. <b>NB!</b> Evitare di utilizzare tubi lunghi e sottili (min. 1/2"). Pulire l'ugello (vedi sezione 7.2). Pulire il filtro (vedi sezione 7.1). Svolgere e sistemare correttamente il tubo.
<b>La macchina spesso si avvia e si arresta da sola</b>	Pistola a spruzzo presenta una perdita	Contattare il servizio di assistenza locale Nilfisk. Sostituire sede / sfera / O-ring della valvola della pistola.
<b>La macchina si avvia, ma non fuoriesce acqua</b>	La pompa o i tubi e gli accessori sono congelati  Manca l'alimentazione dell'acqua Filtro dell'acqua bloccato Ugello bloccato	Attendere che la pompa o i tubi e gli accessori aumentino adeguatamente di temperatura. Collegare l'alimentazione dell'acqua.  Pulire il filtro (vedi sezione 7.1). Pulire l'ugello (vedi sezione 7.2).
<b>La pressione della pompa cala</b>	La manopola per la regolazione della pressione e del volume dell'acqua non è posizionata correttamente	Posizionare la manopola alla corretta pressione di lavoro.

Se si verificano problemi diversi da quelli specificati sopra, contattare il rivenditore locale Nilfisk.

EN

# 10 Informazioni supplementari

DA

NO

## 10.1 Condizioni di garanzia

In caso di necessità di assistenza e manutenzione, si prega di contattare il proprio rivenditore.

SV

FI

# 11 Principali dati tecnici

DE

FR

Tipo		MC2C-60/520 XT US-CAN	MC2C-80/520 T	MC2C-120/520 T	MC2C-120/520 XT	MC2C-140/610 XT	MC2C-140/610 P	MC2C-150/650	MC2C-140/650 (EXPT)	MC2C-150/650 XT
Pressione nominale	bar/MPa	60/6,0	80/8,0	120/12	120/12	140/14	140/14	150/15	140/14	150/15
Impatto pulente	kg/force	2	2	2,2	2,2	2,5	2,5	2,9	2,9	2,9
Portata	Qmax/ QIEC/ l/min.	2,3/2,2 gallon	8,7/8,2	8,7/7,8	8,7/7,8	10,2/9,0	10,2/9,0	10,8/9,5	10,8/9,5	10,8/9,5
Tensione / fase / frequenza / corrente	V/fase/ Hz/A	120/1/ 60/15	115-127/1/ 60/15	230/1/ 50/10	230/1/ 50/10	230/1/ 50/12,6	230/1/ 50/12,6	230/1/ 50/14,5	220/1/ 60/14,5	230/1/ 50/14,5
Temperatura massima dell'acqua	°C	60	60	60	60	60	60	60	60	60
Cavo	m	10	5	5	5	5	5	5	5	5
Pompa	Rev/min	3400	3400	2800	2800	2800	2800	2800	3400	2800
Misura dell'ugello	1/8"	0,475	0,475	0,340	0,340	0,340	0,370	0,340	0,350	0,340
Livello della pressione sonora LpA	dB(A)	72 ±2	72 ±2	72 ±2	72 ±2	72 ±2	72 ±2	72 ±2	72 ±2	72 ±2
Livello della potenza sonora LwA	dB(A)	89	86	86	86	86	86	88	88	88
Vibrazione in conformità a ISO 5349-1	m/s <sup>2</sup>	< 2,5	< 2,5	< 2,5	< 2,5	< 2,5	< 2,5	< 2,5	< 2,5	< 2,5
Peso	kg	28,6	27,3	27,3	28,1	28,1	28,1	26,3	26,3	28,1

NL

IT

ES

PT

EL

TR

CS

HU

PL

# 12 Dichiarazione

Noi,

Nilfisk A/S  
Marmorvej 8  
2100 Copenhagen Ø  
DANIMARCA

Con la presente dichiara sotto la sua esclusiva responsabilità che i

Prodotti: HPW – Professional – Mobile – EI – CW  
Descrizione: 230 V, 50 Hz, IPX5  
Tipo: MC2C-120/520 T, -120/520 XT, -140/610 XT, -150/650 XT, -140/650 EXPT

sono conformi ai seguenti standard:

EN 60335-1:2012+A11:2014+A13:2017+A1:2019+A14:2019+A2:2019+A15:2021+A16:2023  
EN 60335-2-79:2012  
EN 55014-1:2021  
EN 55014-2:2021  
EN 61000-3-2:2019+A1:2021  
EN 61000-3-11:2019  
EN 63000:2018

In seguito alla normativa di armonizzazione dell'Unione:

2006/42/CE  
2014/30/UE  
2011/65/UE  
2000/14/CE – Procedura di valutazione della conformità secondo l'Allegato V.  
– Livello di potenza sonora misurato: 86-88 dB(A); Livello di potenza sonora garantito: 89-91 dB(A)

Broendby, 2024-01-02

*Wei-lua (Warner) Guo*

Warner Guo, VP R&D, Head of Competence Center APAC • R&D

EN

DA

NO

SV

FI

DE

FR

NL

**IT**

ES

PT

EL

TR

CS

HU

PL

EN

DA

NO

SV

FI

DE

FR

NL

IT

ES

PT

EL

TR

CS

HU

PL

# Índice

<b>1</b>	<b>Introducción</b> .....	<b>191</b>
	1.1 Símbolos que se usan para indicar instrucciones .....	191
<b>2</b>	<b>Medidas de seguridad y técnicas de trabajo</b> .....	<b>191</b>
<b>3</b>	<b>Descripción</b> .....	<b>198</b>
	3.1 Aplicación .....	198
	3.2 Elementos operativos y descripción del modelo.....	198
<b>4</b>	<b>Antes de usar la hidrolimpiadora a presión</b> .....	<b>199</b>
	4.1 Montaje el soporte de la lanza pulverizadora .....	199
	4.2 Montaje del gancho de la manguera (modelos equipados sin carrete para manguera) .....	199
	4.3 Montaje del asa del carrete de la manguera (modelos equipados con carrete para manguera) .....	199
	4.4 Montaje del empalme rápido .....	200
	4.5 Montaje de la manguera de alta presión en la pistola pulverizadora.....	200
<b>5</b>	<b>Funcionamiento de la hidrolimpia-dora a presión</b> .....	<b>201</b>
	5.1 Conexión de la manguera de alta presión .....	201
	5.2 Montaje de la lanza.....	201
	5.3 Conexión del agua.....	202
	5.4 Asa telescópica.....	202
	5.5 Puesta en marcha y parada de la máquina (cuando ésta está conectada a la red de suministro de agua) .....	202
	5.6 Puesta en marcha de la máquina (cuando ésta está conectada a un recipiente abierto (modo succión)) .....	203
	5.7 Regulación de la presión .....	203
	5.8 Uso de detergentes .....	204
	5.9 Botón de regulación de presión/volumen de agua (sólo modelos con botón de regulación de presión/volumen de agua).....	204
<b>6</b>	<b>Ámbitos de aplicación y métodos de trabajo</b> .....	<b>205</b>
	6.1 General.....	205
<b>7</b>	<b>Después de utilizar la hidrolimpiadora a presión</b> .....	<b>206</b>
	7.1 Almacenamiento de la hidrolimpiadora.....	206
	7.2 Recogida del cable eléctrico y la manguera de alta presión .....	206
	7.3 Almacenamiento de los accesorios .....	207
<b>8</b>	<b>Mantenimiento</b> .....	<b>207</b>
	8.1 Limpieza del filtro de entrada de agua.....	207
	8.2 Limpieza de la boquilla .....	208
	8.3 Limpieza de los orificios de ventilación de la máquina .....	208
	8.4 Engrasado de los empalmes .....	208
<b>9</b>	<b>Guía de resolución de problemas</b> .....	<b>209</b>
<b>10</b>	<b>Información adicional</b> .....	<b>210</b>
	10.1 Servicios y mantenimiento.....	210
<b>11</b>	<b>Principales datos técnicos</b> .....	<b>210</b>
<b>12</b>	<b>Declaración de conformidad de la CE/UE</b> .....	<b>211</b>

# 1 Introducción

## 1.1 Símbolos que se usan para indicar instrucciones



En este manual se muestran y explican todos los pictogramas del limpiador de alta presión y sus componentes.

Deben seguirse las instrucciones de seguridad marcadas con este símbolo para evitar lesiones y daños materiales.



Se debe tener precaución cuando haya riesgo de dañar la máquina o sus piezas.



Este símbolo indica que se trata de consejos e instrucciones para simplificar el trabajo y garantizar un funcionamiento seguro del limpiador de alta presión.

## 2 Medidas de seguridad y técnicas de trabajo



Antes de utilizar por primera vez la máquina debe leer cuidadosamente este manual. Guarde las instrucciones para poder consultarlas.



### ¡Advertencia!

- La inhalación de aerosoles puede ser peligrosa para la salud. Cuando sea posible, utilice un dispositivo con el fin de evitar o reducir la emisión de aerosoles, por ejemplo, un protector en la boquilla. Para la protección contra los aerosoles utilizar una máscara respiratoria de clase FFP 2 o superior.
- El agua a alta presión generada por la máquina y la conexión de alimentación son fuentes de peligro.
- Los niños y el personal sin la formación adecuada no deben usar las máquinas. Debe controlarse que los niños no jueguen con la máquina.
- No use la máquina si hay personas cerca excepto si llevan ropa de protección.
- Antes de poner en marcha la máquina revise cuidadosamente si presenta algún defecto. Si encuentra alguno, no arranque la máquina y póngase en contacto con su distribuidor de Nilfisk. El aislamiento del cable eléctrico debe ser perfecto y sin fisuras. Si el cable eléctrico está dañado, un distribuidor de Nilfisk autorizado deberá reemplazarlo.
- Retire el enchufe de la toma de corriente durante la limpieza o el mantenimiento, al sustituir piezas o preparar la máquina para otra función.

EN

DA

NO

SV

FI

DE

FR

NL

IT

ES

PT

EL

TR

CS

HU

PL

EN

DA

NO

SV

FI

DE

FR

NL

IT

ES

PT

EL

TR

CS

HU

PL

- Tenga en cuenta las normas de seguridad nacionales, por ejemplo, por la responsabilidad del empleador respecto a los seguros, instituciones de seguridad social, las autoridades de salud y seguridad en el trabajo y otras organizaciones.



### Accesorios y piezas de repuesto

- Para garantizar el funcionamiento de la máquina use piezas de recambio de Nilfisk o recomendadas por Nilfisk.
- Los tubos de alta presión, los accesorios y los acoples son importantes para la seguridad de la máquina. Utilice exclusivamente los recomendados por Nilfisk.



### Condiciones físicas, sensoriales y mentales

- Este aparato no está diseñado para que lo usen personas (niños incluidos) con capacidad física, sensorial o mental reducida, sin experiencia o con falta de conocimientos. La máquina pueden usarla personas con capacidades físicas, sensoriales o mentales reducidas, con falta de experiencia y de conocimientos, siempre que estén supervisadas o reciban instrucciones sobre su uso seguro y entiendan los peligros subyacentes.



### Aplicaciones

Esta máquina se ha desarrollado para uso doméstico y profesional. Por ejemplo:

- Uso doméstico: coches, motos, embarcaciones, caravanas, remolques, patios/entradas/muebles, cortacéspedes.
  - Uso profesional: limpieza de superficies, coches, camiones, embarcaciones, herramientas y equipos.
- Cualquier otra aplicación se considerará como uso indebido. Nilfisk no acepta ninguna responsabilidad por los daños resultantes de dicho uso. El riesgo de tal uso es asumido únicamente por el usuario. El uso adecuado también incluye el funcionamiento, el servicio y las reparaciones adecuados, como se especifica en estas instrucciones.



## Ropa y equipamiento

Tome medidas para protegerse en caso de operar la máquina.

- Use calzado con suelas antideslizantes.
- Utilice gafas y ropa de protección durante la operación.



## Transporte del limpiador de alta presión

- Al transportar la máquina en o sobre un vehículo, se deberá sujetar, por ejemplo con correas, de manera que no pueda deslizarse ni volcarse.
- Nilfisk recomienda que la máquina se coloque horizontalmente en la parte posterior del vehículo.



## Detergentes

- Esta máquina se ha diseñado para usar con productos de limpieza suministrados o recomendados por Nilfisk. El uso de otros productos de limpieza o químicos puede afectar a la seguridad y al funcionamiento de la máquina.



## Antes de iniciar el trabajo Inspeccionar la máquina

- No use la máquina si el cable de alimentación o alguna pieza está dañada, por ejemplo los accesorios de seguridad, los tubos de alta presión o la pistola rociadora.
- El gatillo de la pistola debe moverse fácilmente y volver automáticamente a su posición inicial cuando se suelta.
- Mantenga siempre la manguera de alta presión y el sistema de pulverización en buenas condiciones (limpio y que se mueva con facilidad) y correctamente montado.



## Conexión eléctrica

### ¡Advertencia!

Minimice el riesgo de descarga eléctrica:

- La tensión y frecuencia de la máquina (ver placa de características) debe coincidir con la tensión y la frecuencia de la red eléctrica.

EN

DA

NO

SV

FI

DE

FR

NL

IT

ES

PT

EL

TR

CS

HU

PL

EN

DA

NO

SV

FI

DE

FR

NL

IT

ES

PT

EL

TR

CS

HU

PL

- La conexión eléctrica debe realizarla un electricista cualificado y ser conforme con la norma IEC 60364-1.
- Se recomienda que la alimentación de esta máquina incluya un dispositivo de corriente residual que interrumpa la alimentación si la corriente de fuga a tierra es superior a 30 mA durante 30 ms.
- Utilícense fusibles de arranque del motor/retardados de tipo C o D conforme a la norma IEC/EN 60898-1 / IEC 947-2 o a una norma correspondiente.
- Debido al alto consumo de energía de la máquina, se requiere un fusible de red adecuado.
- Los alargadores inadecuados pueden ser peligrosos. Si utiliza un alargador, éste debe ser adecuado para usar al aire libre y la conexión tiene que mantenerse seca y sin contacto con el suelo.
- Nilfisk recomienda un tambor de cables de extensión cuando haga falta un alargador para mantener la toma a, al menos, 60 mm por encima del suelo.
- Si el cable de alimentación está dañado debe sustituirlo un distribuidor autorizado de Nilfisk o personas cualificadas para evitar cualquier riesgo.
- Conectar el limpiador de alta presión a una fuente de alimentación; la impedancia máxima permitida es = 0,4023  $\Omega$  ( $Z_{max}$ ). Consulte con el proveedor si el equipo se puede conectar a una fuente de impedancia menor o igual.



### Conexión de agua

- Este limpiador de alta presión sólo puede conectarse a la red de agua potable si dispone de una válvula antirretorno adecuada, tipo BA de acuerdo con la norma EN 60335-2-79.
- La válvula se puede pedir con las referencias 106411177.
- Tan pronto como el agua potable atraviesa la válvula antirretorno, ya no se considera agua potable.
- La operación por aspiración (por ejemplo, en un colector de agua de lluvia) se realiza sin válvula anti-retorno – consulte “**Conexión a un suministro de agua sin presión**”. La máquina puede conectarse a la red de agua con un presión máxima de entrada de 1 MPa/10 bares y máx. 60 °C.

## Dispositivos de seguridad

### Dispositivo de bloqueo del mango de pulverización:

- El mango de pulverización tiene un dispositivo de bloqueo. Cuando se activa el dispositivo, el mango de pulverización no puede usarse.

### Sensor térmico:

- Reinicio automático

Un sensor térmico protege el motor contra sobrecargas. La máquina se reiniciará transcurridos unos minutos, cuando el sensor térmico se haya enfriado.

- Sin reinicio automático (solo para modelo MC2C de EE. UU.)

Se requiere una operación manual de reinicio. El accionamiento implica la desconexión del aparato de la red eléctrica.



### Precaución:

Para evitar riesgos debidos al reinicio involuntario del interruptor térmico, este aparato no debe alimentarse a través de un dispositivo de conmutación externo, como un temporizador, ni conectarse a un circuito que la compañía suministradora encienda y apague regularmente.

### Dispositivos de seguridad contra la presión excesiva

- Una válvula hidráulica de seguridad integrada protege al sistema de una presión excesiva.



### Durante el trabajo

#### ¡Advertencia!

- No está permitido limpiar con alta presión superficies que contengan amianto.
- Riesgo de explosión – No pulverizar líquidos inflamables.
- Nunca use líquidos que contengan disolventes (por ejemplo, gasolina, combustible para calefacción, diluyente de pintura o acetona). Estas sustancias dañan los materiales utilizados en la máquina. El aerosol es altamente inflamable, explosivo y tóxico.

EN

DA

NO

SV

FI

DE

FR

NL

IT

ES

PT

EL

TR

CS

HU

PL

EN

DA

NO

SV

FI

DE

FR

NL

IT

ES

PT

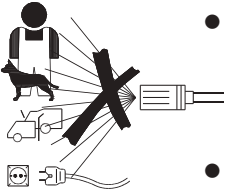
EL

TR

CS

HU

PL



- No dirija nunca el chorro de agua a sí mismo ni a otras personas, ni siquiera para limpiar la ropa o el calzado ya que hay **riesgo de lesiones**.
- Nunca dirija el chorro de agua a mascotas u otros animales.
- No dirija nunca el chorro de agua a equipos eléctricos ni al propio aparato ya que puede **producirse un cortocircuito**.
- La lanza pulverizadora sufre un empuje de hasta 27,4 N y un par súbito cuando se activa el gatillo de la pistola de la lanza. Esta máquina de alta presión no debe funcionar a temperaturas inferiores a 0 °C.
- Nunca ponga en marcha una máquina helada. La garantía no cubre daños debidos a la congelación.
- Lleve siempre calzado firme y seguro.
- La máquina debe usarse sólo en posición vertical.
- Si la máquina se va a dejar desatendida o no se va a utilizar durante 5 minutos, deberá desconectarse poniendo el interruptor de arranque y parada en la posición “O” (1).



### Al terminar de trabajar

#### ADVERTENCIA

- Apague siempre la máquina y desconecte el enchufe de la toma después del trabajo y cuando deje la máquina desatendida.
- Desconecte la manguera de entrada de agua entre la máquina y el suministro de agua.
- Vacíe siempre la bomba, las mangueras y los accesorios de agua después de usar la máquina y antes de guardarla.



### Mantenimiento y reparación

#### ADVERTENCIA

- Desconecte siempre el enchufe de la toma antes de las operaciones de mantenimiento, limpieza y reparación.

- Cualquier reparación deberá hacerse siempre en un taller autorizado de Nilfisk con piezas originales de Nilfisk.
- No intente realizar ningún mantenimiento no descrito en las instrucciones.
- Si la máquina no arranca, se detiene, funciona de forma intermitente, fluctúa la presión, el motor suena, salta algún fusible o no sale agua, revise el diagrama de Solución de problemas en estas instrucciones. Si se produce cualquier otro problema póngase en contacto con el distribuidor de Nilfisk.
- No permita que los niños limpien el aparato o realicen labores de mantenimiento sin supervisión.



### **Eliminación correcta de este producto**

Esta marca indica que el producto no debe eliminarse con otros residuos domésticos en toda la UE. Para evitar posibles daños al medio ambiente o a la salud derivados de la eliminación incontrolada de residuos, hay que reciclarlos de forma responsable para promover la reutilización sostenible de los recursos materiales. Para devolver el dispositivo usado, utilice los sistemas de devolución y recogida o póngase en contacto con el distribuidor donde compró el producto. Ellos son quienes pueden llevar este producto para su reciclaje seguro para el medio ambiente.

EN

DA

NO

SV

FI

DE

FR

NL

IT

**ES**

PT

EL

TR

CS

HU

PL

EN

## 3 Descripción

DA

NO

### 3.1 Aplicación

Este limpiador de alta presión se ha desarrollado para la limpieza rutinaria semiprofesional:

- Trabajos artesanales, limpieza de vehículos, caravanas y barcos, y trabajos menores de limpieza en edificios y construcción

En el apartado 6 se describe el empleo de la hidrolimpiadora de alta presión en diversas aplicaciones de limpieza.

Use únicamente la hidrolimpiadora de alta presión para las aplicaciones descritas en este manual.

Deberán respetarse las instrucciones de seguridad para evitar daños a la máquina y a la superficie limpiada o lesiones personales graves.

SV

FI

DE

FR

NL

IT

### 3.2 Elementos operativos y descripción del modelo



Consulte la ilustración que hay al final de este manual

- 1 Interruptor de arranque/parada
- 2 Entrada de agua (con filtro)
- 3 Conexión a alta presión (solo en los modelos sin carrete para manguera)
- 4 Manguera de alta presión
- 5 Cable eléctrico
- 6 Botón de regulación de presión/volumen de agua (no estándar)
- 7 Pistola pulverizadora Ergo 2000 con seguro
- 8 Lanza Flexopower Plus
- 9 lanza 4-en-1 (modelos T y XT)
- 10 Depósito desmontable para detergente

- 11 Herramienta para limpiar la boquilla
- 12 Carrete para manguera
- 13 Gancho para la manguera (solo en los modelos sin carrete para manguera)
- 14 Etiqueta de identificación de modelo
- 15 Botón para el asa telescópica
- 16 Asa del carrito (asa telescópica)
- 17 Gancho giratorio para el cable

**Especificaciones:** Véase la etiqueta de identificación del modelo (14) de la máquina.

Nos reservamos el derecho a cambiar las especificaciones.

ES

PT

EL

TR

CS

HU

PL

# 4 Antes de usar la hidrolimpiadora a presión

EN

DA

NO

SV

FI

DE

FR

NL

IT

**ES**

PT

EL

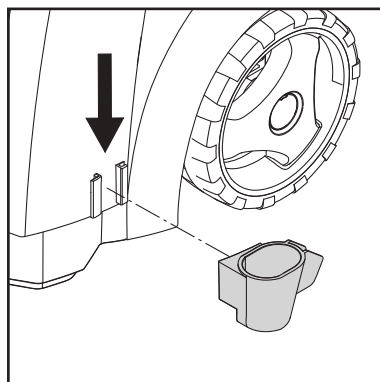
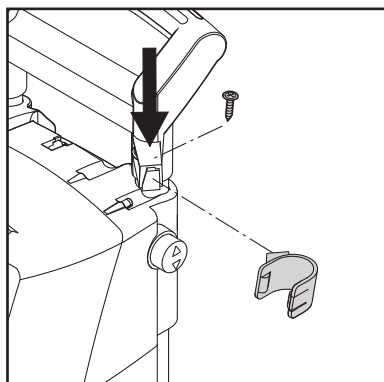
TR

CS

HU

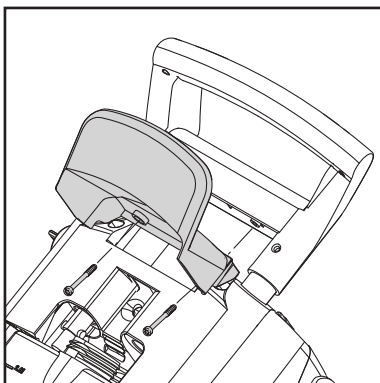
PL

## 4.1 Montaje el soporte de la lanza pulverizadora



Monte en la máquina los soportes de la lanza pulverizadora.

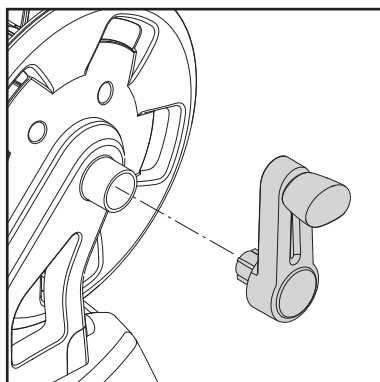
## 4.2 Montaje del gancho de la manguera (modelos equipados sin carrete para manguera)



Monte el gancho de la manguera (13) a la máquina (2 tornillos)

**Nota:** El gancho para la manguera puede montarse en la parte frontal o en la parte posterior, pero debe montarse en la parte frontal, si va a utilizar una escarpia especial para colgar la máquina en la pared.

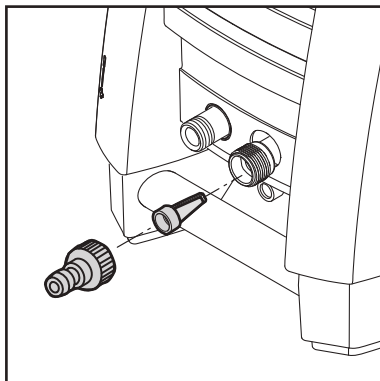
## 4.3 Montaje del asa del carrete de la manguera (modelos equipados con carrete para manguera)



Enganche el asa del carrete de la manguera en el asa del carrito (sin tornillos).

EN

#### 4.4 Montaje del empalme rápido



1. Atornille el empalme rápido a la entrada de agua (2) y apriételo bien.



**Nota:** El filtro de entrada de agua deberá estar siempre instalado en la tubería de entrada de agua con el fin de filtrar la arena, el barro u otras impurezas que podrían dañar las válvulas de la bomba.

**Precaución:** Si no estuviera instalado el filtro, la garantía quedaría anulada.

DA

NO

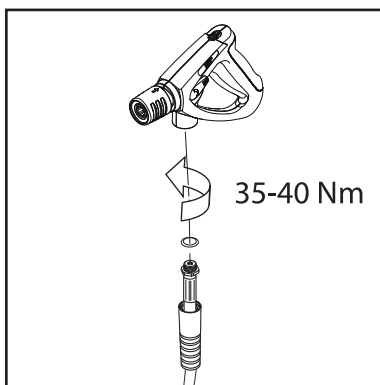
SV

FI

DE

FR

#### 4.5 Montaje de la manguera de alta presión en la pistola pulverizadora



Monte la manguera de alta presión (4) a la pistola pulverizadora (7).

NL

IT

ES

PT

EL

TR

CS

HU

PL



# 5 Funcionamiento de la hidrolimpiadora a presión

EN

DA

NO

SV

FI

DE

FR

NL

IT

ES

PT

EL

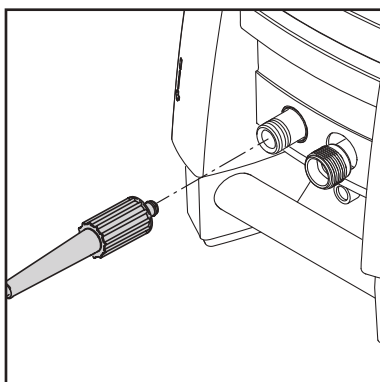
TR

CS

HU

PL

## 5.1 Conexión de la manguera de alta presión



### **Modelos equipados sin carrete para manguera:**

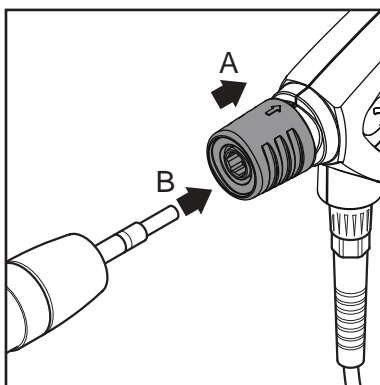
Conecte la manguera de alta presión (4) a la toma correspondiente (3).

Utilice únicamente una manguera de una longitud máxima de 7 m.

### **Modelos equipados con carrete para manguera:**

Desenrolle por completo la manguera de alta presión.

## 5.2 Montaje de la lanza



1. Tire hacia atrás de la conexión rápida de color azul (A) de la pistola rociadora.
2. Introduzca la boquilla de la lanza (B) en la conexión rápida y suéltela.
3. Tire de la lanza (o del accesorio conectado) hacia delante para comprobar que ha quedado correctamente conectada a la pistola rociadora.



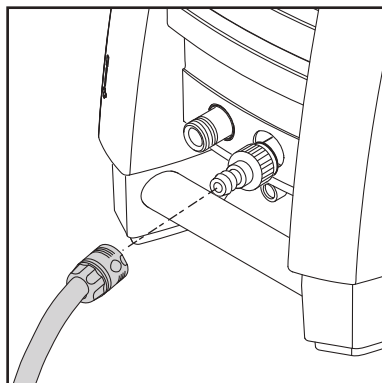
### **¡INDICACIÓN!**

Limpie siempre eventuales partículas de suciedad en la boquilla antes de unir la lanza de aspersión a la pistola pulverizadora.

EN

### 5.3 Conexión del agua

Se puede utilizar una manguera de riego normal de 12,5 mm de **10 m de longitud como mínimo y 25 m como máximo.**



**NOTA:** La conexión a las conducciones públicas deberá realizarse según la normativa vigente.

**IMPORTANTE:** Utilice sólo agua sin impurezas. Si hay riesgo de que exista arena en suspensión en la entrada de agua (es decir en su propia entrada de agua) debería instalar un filtro.

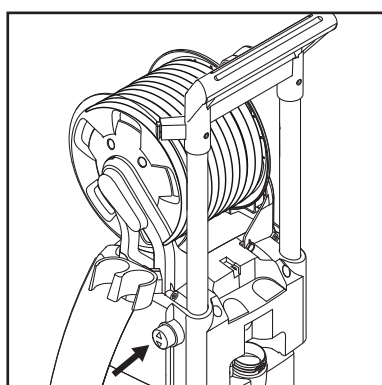
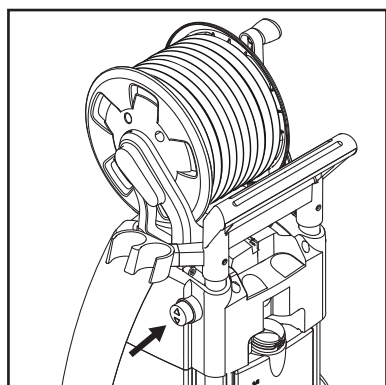
1. Deje correr el agua a través de la manguera de agua antes de conectarla a la máquina para evitar que penetren arena y polvo en la máquina.



**Nota:** Compruebe que el filtro está montado en la tubería de entrada de agua y que no está atascado.

2. Conecte la manguera de agua a la red de suministro con ayuda del conector rápido (el agua debe entrar a una presión máxima de 10 bares y a una temperatura máxima de 60 °C).
3. Abra el agua.

### 5.4 Asa telescópica



Esta máquina posee un asa telescópica. Para elevar o bajar el asa, presione el tirador (15) y mueva el asa hacia arriba o hacia abajo. El asa estará en la posición correcta cuando oiga un clic.

### 5.5 Puesta en marcha y parada de la máquina (cuando ésta está conectada a la red de suministro de agua)



La lanza pulverizadora soporta una fuerza de empuje durante la operación, por lo que debe sostenerla firmemente con las dos manos.


**IMPORTANTE:** Dirija la boquilla hacia el suelo.

1. Compruebe que la máquina está en posición vertical.

**NOTA:** No coloque la máquina sobre hierba alta

2. Suelte el seguro del gatillo.
3. Active el gatillo de la pistola pulverizadora y deje que el agua salga hasta que no

quede aire en la manguera de agua.

4. Gire el interruptor del arranque/parada (1) a la posición .
5. Active el gatillo de la pistola pulverizadora.

Ajuste la distancia y así también la presión de la boquilla sobre la superficie que se va a limpiar.

No cubra la máquina durante el funcionamiento de la misma ni la utilice en un lugar sin una ventilación adecuada.



**Nota:** Si la máquina se va a dejar desatendida o no se va a utilizar durante 5 minutos, deberá desconectarse poniendo el interruptor de arranque y parada en la posición "O" (1):

1. Gire el interruptor del arranque/parada a la posición "O".
2. Desconecte el enchufe.
3. Cierre el suministro de agua y active el gatillo para liberar la presión de la máquina.

4. Cierre la pistola pulverizadora.

Al soltar el gatillo de la pistola pulverizadora, la máquina se para automáticamente y se pone en marcha de nuevo al reactivar la pistola pulverizadora.

### 5.6 Puesta en marcha de la máquina (cuando ésta está conectada a un recipiente abierto (modo succión))



La máquina puede tomar agua, por ejemplo, de un depósito de agua de lluvia. La manguera de suministro de agua no debe ser demasiado larga (5 m aproximadamente).

No coloque nunca el depósito de agua a una altura inferior a la de la máquina.

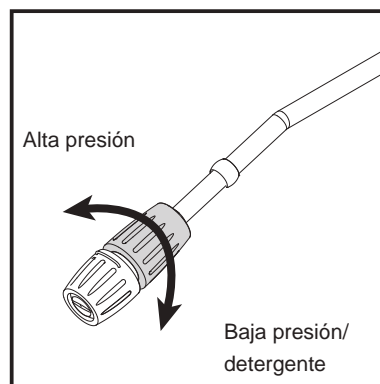
Utilice un filtro externo si el agua contiene impurezas.

1. Asegúrese de que la manguera se llena completamente de agua antes de conectarla a la máquina. Introduzca toda la manguera en un depósito o en un cubo. Para evitar el derrame de agua, mantenga la toma de agua de la manguera dentro del agua y conecte la

manguera a la máquina con la conexión rápida. A continuación, suelte la toma de agua de la manguera.

2. Desmonte el mango de pulverización, la lanza y la boquilla.
3. Gire el interruptor marcha/parada a la posición  y deje correr el agua, hasta que salga el aire de la manguera y la bomba.
4. Gire el interruptor del arranque/parada a la posición "O".
5. Monte de nuevo el mango de pulverización, la lanza y la boquilla.
6. Gire el interruptor del arranque/parada (1) a la posición .
7. Active el gatillo de la pistola pulverizadora.

### 5.7 Regulación de la presión



#### Lanza Flexopower Plus

Es posible regular la presión de la lanza Flexopower Plus.

EN

DA

NO

SV

FI

DE

FR

NL

IT

**ES**

PT

EL

TR

CS

HU

PL

EN

DA

NO

SV

FI

DE

FR

NL

IT

**ES**

PT

EL

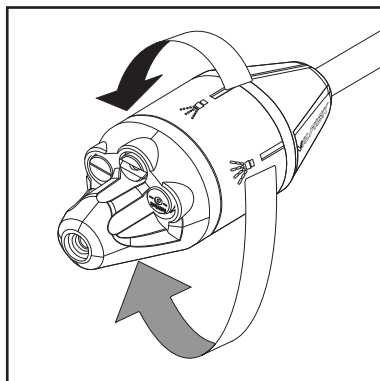
TR

CS

HU

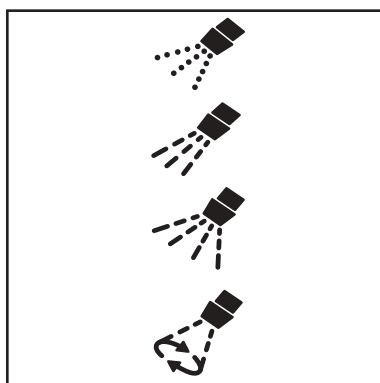
PL

### 5.8 Uso de detergentes



#### Modelos T y XT:

Lanza pulverizadora 4-en-1  
La presión se puede regular en la lanza pulverizadora 4-en-1.



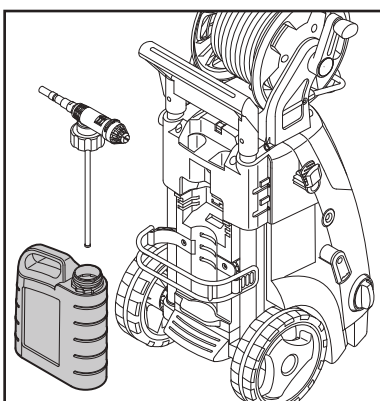
Baja presión / detergente

Tornado / alta presión

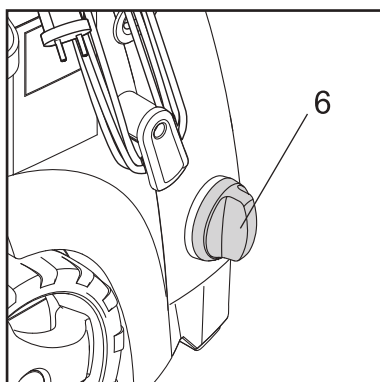
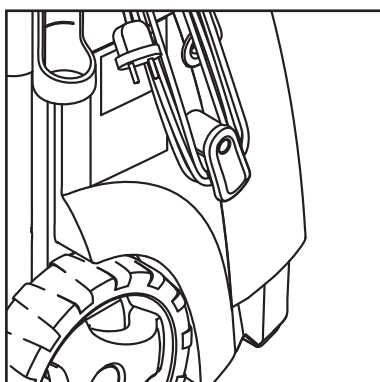
Gran angular / alta presión

Turbocompresor / alta presión

### 5.9 Botón de regulación de presión/volumen de agua (sólo modelos con botón de regulación de presión/volumen de agua)



1. Llene el depósito con detergente.
2. Aplique el detergente de abajo hacia arriba.
3. Deje que el detergente actúe durante el tiempo indicado en el embalaje del mismo y enjuague con agua pura o utilice un cepillo.



La presión de funcionamiento y el volumen de agua de la máquina pueden regularse con el botón de regulación de presión/volumen de agua (6).

# 6 Ámbitos de aplicación y métodos de trabajo

EN

DA

NO

SV

FI

DE

FR

NL

IT

**ES**

PT

EL

TR

CS

HU

PL

## 6.1 General

Para lograr una limpieza a alta presión eficaz, además de su experiencia personal en trabajos de limpieza específicos, es necesario que siga algunas instrucciones. Los accesorios y detergentes, si se eligen bien, aumentan la eficacia de la hidrolimpiadora a presión. A continuación le proporcionamos información básica sobre limpieza.

### 6.1.1 Detergente y espuma

La espuma y el detergente deben aplicarse sólo en superficies secas, para que el producto químico entre directamente en contacto con la suciedad. Los detergentes se aplican de abajo a arriba, por ejemplo, en la carrocería de un automóvil, con el fin de evitar zonas “superlimpias” en las que el detergente se concentre y fluya hacia abajo. Deje actuar el detergente unos minutos antes de aclarar, pero no deje nunca que se seque sobre la superficie que está limpiando. **Nota:** Es fundamental que los detergentes no se sequen, ya que, si se secan, la superficie que se está limpiando podría deteriorarse.

### 6.1.2 Efecto mecánico

Para acabar con las capas de suciedad tenaces se requiere un efecto mecánico adicional, que se puede lograr con ayuda de cepillos especiales (en particular, en el lavado de automóviles).

EN

DA

NO

SV

FI

DE

FR

NL

IT

ES

PT

EL

TR

CS

HU

PL

# 7 Después de utilizar la hidrolimpiadora a presión

## 7.1 Almacenamiento de la hidrolimpiadora



**La máquina no deberá almacenarse en un lugar con bajas temperaturas,**

La bomba, la manguera y los accesorios deberán siempre vaciarse de agua antes de guardarlos como se indica a continuación:

1. Pare la máquina (ponga el interruptor giratorio (1) en la posición "O") y desmonte la manguera y los accesorios.
2. Vuelva a conectar la máquina y apriete el gatillo. Deje la máquina encendida hasta que deje de salir agua por la pistola pulverizadora.
3. Pare la máquina y desenchúfela. Enrolle el cable alrededor de los enganches situados en el lateral de la máquina.
4. Desmonte la pistola pulverizadora y la manguera de alta presión.

## 5. Modelos equipados sin carrete para manguera:

Desmonte la manguera de alta presión, enróllela y guárdela en el lugar correspondiente.

## Modelos equipados con carrete para manguera:

Enrolle la manguera de alta presión en el carrete.

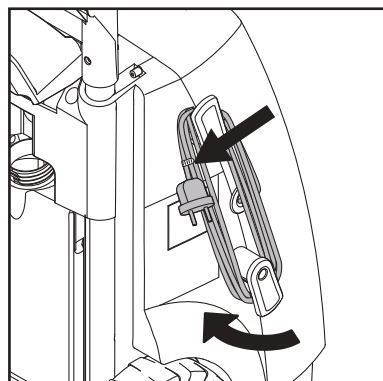
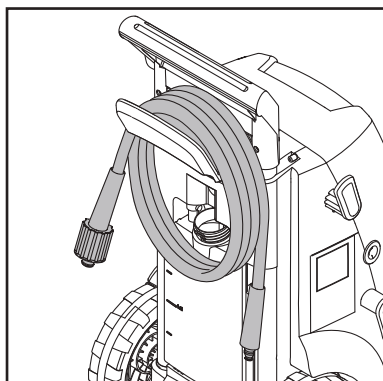
6. Ponga la pistola pulverizadora, las boquillas y demás accesorios en los soportes de la máquina.

Si por error la máquina se congelara, será necesario verificar que no existen daños.

**NO CONECTE NUNCA UNA MÁQUINA CONGELADA.**

**La garantía no cubre los daños por congelación.**

## 7.2 Recogida del cable eléctrico y la manguera de alta presión



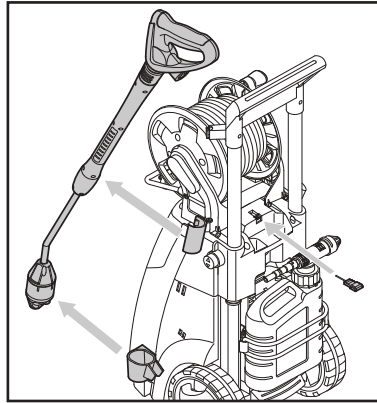
Para evitar accidentes, el cable eléctrico y la manguera de alta

presión deben enrollarse con cuidado.

1. Colocación del cable eléctrico en los ganchos correspondientes. Pinza incorporada para una correcta colocación. El gancho más bajo puede girarse para soltar el cable eléctrico.

2. Existen dos modelos de hidrolimpiadora de alta presión: A) con un gancho para colocar la manguera de alta presión (13) – B) con un carrete (12).

### 7.3 Almacenamiento de los accesorios



Los accesorios estándar (pistola pulverizadora, lanza (A), la herramienta de limpieza para boquillas) pueden guardarse en la hidrolimpiadora de alta presión.

EN

DA

NO

SV

FI

DE

FR

NL

IT

ES

PT

EL

TR

CS

HU

PL

## 8 Mantenimiento



**¡ADVERTENCIA!** Desconecte siempre el enchufe antes de realizar cualquier tarea de mantenimiento o limpieza.

Para garantizar la larga duración de la máquina, tenga en cuenta la siguiente sugerencia:

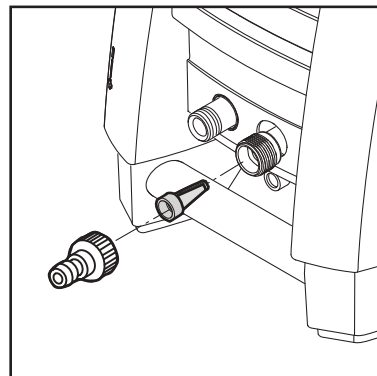
- Lave la manguera de agua, la manguera de alta presión,

la lanza pulverizadora y los accesorios antes de su montaje.

- Limpie los conectores de polvo y arena.
- Limpie las boquillas.

Las reparaciones deberán realizarse siempre en establecimientos autorizados y con piezas de repuesto originales.

### 8.1 Limpieza del filtro de entrada de agua



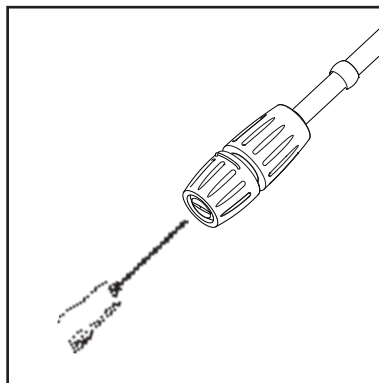
Limpie el filtro de entrada de agua regularmente una vez al mes o con más frecuencia según el uso. Afloje el filtro con cuidado con ayuda de unos alicates y límpielo. Verifique que está intacto antes de volverlo a montar.

El filtro de entrada de agua deberá estar siempre instalado en la tubería de entrada de agua con el fin de filtrar la arena, el barro u otras impurezas que podrían dañar las válvulas de la bomba.

**PRECAUCIÓN:** Si no estuviera instalado el filtro, la garantía quedaría anulada.

EN

## 8.2 Limpieza de la boquilla



Un atasco en la parte superior de la boquilla ocasiona una presión demasiado alta en la bomba, por lo que se requiere limpieza inmediata.

1. Pare la máquina y desconecte la boquilla.
2. Limpie la boquilla. **IMPORTANTE:** La herramienta de limpieza (11) se deberá utilizar únicamente cuando la boquilla se haya desmontado
3. Enjuague la boquilla en dirección opuesta a la salida del agua.

DA

NO

SV

FI

DE

FR

## 8.3 Limpieza de los orificios de ventilación de la máquina

La máquina debe mantenerse limpia para permitir que el aire frío pase libremente por los orificios de ventilación.

NL

IT

## 8.4 Engrasado de los empalmes

Engrase con frecuencia los empalmes para facilitar la conexión y asegurarse de que los anillos circulares no se secan.

ES

PT

EL

TR

CS

HU

PL



# 9 Guía de resolución de problemas

EN

DA

NO

SV

FI

DE

FR

NL

IT

**ES**

PT

EL

TR

CS

HU

PL

Para evitar contratiempos innecesarios, debería consultar lo siguiente antes de ponerse en contacto con el servicio técnico de Nilfisk:

Problema	Causa	Actuación recomendada
<b>La máquina no se pone en marcha</b>	La máquina no está enchufada Enchufe defectuoso Fusible fundido  Cable alargador defectuoso	Enchufe la máquina.  Inténtelo con otro enchufe. Sustituya el fusible Desconecte otras máquinas. Inténtelo sin cable alargador.
<b>Fluctuaciones de presión</b>	La bomba aspira el aire  Válvulas sucias, desgastadas  Las juntas de la bomba están	Compruebe que las mangueras y las conexiones están cerradas herméticamente. Limpie o sustituya las válvulas o póngase en o atascadas contacto con el distribuidor local de Nilfisk.  Limpie o sustituya las válvulas o póngase en desgastadas contacto con el distribuidor local de Nilfisk.
<b>Zumbido del motor</b>	Baja tensión o temperatura baja	Active el gatillo de la pistola pulverizadora.
<b>La máquina se para</b>	Se ha fundido un fusible  Tensión incorrecta  El sensor térmico se activa  Boquilla parcialmente bloqueada	Sustituya el fusible Desconecte otras máquinas. Compruebe que la tensión de la red es la especificada en la etiqueta de identificación del modelo. Deje que se enfríe la máquina durante 5 minutos. Limpie la boquilla (véase el apartado 7.2).
<b>Fusible fundido</b>	Fusible demasiado pequeño	Cambie la conexión a una instalación con un amperaje mayor al indicado en la máquina. Inténtelo sin utilizar el cable alargador.
<b>La máquina se ahoga</b>	Aire en la manguera de entrada o en la bomba  Abastecimiento inadecuado de agua  Boquilla parcialmente bloqueada Filtro de agua bloqueado Manguera doblada	Deje funcionar la máquina con el gatillo abierto hasta que se reanude la presión normal de trabajo. Verifique que el abastecimiento de agua corresponde a las especificaciones indicadas (véase etiqueta del modelo). <b>NB:</b> Procure no utilizar mangueras largas o delgadas (mínimo 12,5 mm). Limpie la boquilla (véase el apartado 7.2).  Limpie el filtro (véase el apartado 7.1). Enderece la manguera.
<b>La máquina se pone en marcha o se para frecuentemente por sí misma</b>	La pistola pulverizadora tiene un escape	Póngase en contacto con el servicio técnico de Nilfisk más próximo a su domicilio. Vuelva a colocar asiento / bola / O-ring en la válvula de la pistola pulverizadora.
<b>La máquina se pone en marcha, pero no sale agua</b>	La bomba, las mangueras o alguno se ha congelado Sin abastecimiento de agua Filtro de agua bloqueado Boquilla bloqueada	Espere a que se descongelen de los accesorios. Conecte la entrada de agua. Limpie el filtro (véase el apartado 7.1). Limpie la boquilla (véase el apartado 7.2).
<b>Descenso de la presión de la bomba</b>	El botón de regulación de presión/volumen de agua no está ajustado correctamente	Ajuste el botón a la presión de funcionamiento correcta.

En caso de problemas distintos a los anteriormente descritos, llame a su distribuidor local de Nilfisk.

EN

# 10 Información adicional

DA

NO

**10.1 Servicios y mantenimiento** En caso de necesidad de servicio y mantenimiento, póngase en contacto con su distribuidor.

SV

FI

# 11 Principales datos técnicos

DE

FR

Tipo		MC2C-60/520 XT US-CAN	MC2C-80/520 T	MC2C-120/520 T	MC2C-120/520 XT	MC2C-140/610 XT	MC2C-140/610 P	MC2C-150/650	MC2C-140/650 (EXPT)	MC2C-150/650 XT
Presión nominal	bar/MPa	60/6,0	80/8,0	120/12	120/12	140/14	140/14	150/15	140/14	150/15
Potencia de limpieza	kg / fuerza	2	2	2,2	2,2	2,5	2,5	2,9	2,9	2,9
Caudal	Qmax/ QIEC l/min	2,3/2,2 gallon	8,7/8,2	8,7/7,8	8,7/7,8	10,2/9,0	10,2/9,0	10,8/9,5	10,8/9,5	10,8/9,5
Tensión/fase/frecuencia/corriente	V/-/ Hz/A	120/1/ 60/15	115-127/1/ 60/15	230/1/ 50/10	230/1/ 50/10	230/1/ 50/12,6	230/1/ 50/12,6	230/1/ 50/14,5	220/1/ 60/14,5	230/1/ 50/14,5
Temperatura máx. del agua	°C	60	60	60	60	60	60	60	60	60
Cable	m	10	5	5	5	5	5	5	5	5
Bomba	rev./min.	3400	3400	2800	2800	2800	2800	2800	3400	2800
Tamaño de la boquilla	1/8"	0,475	0,475	0,340	0,340	0,340	0,370	0,340	0,350	0,340
Nivel de presión acústica LpA	dB(A)	72 ±2	72 ±2	72 ±2	72 ±2	72 ±2	72 ±2	72 ±2	72 ±2	72 ±2
Nivel de potencia acústica LwA	dB(A)	89	86	86	86	86	86	88	88	88
Vibración (ISO 5349)	m/s <sup>2</sup>	< 2,5	< 2,5	< 2,5	< 2,5	< 2,5	< 2,5	< 2,5	< 2,5	< 2,5
Peso	kg	28,6	27,3	27,3	28,1	28,1	28,1	26,3	26,3	28,1

NL

IT

ES

PT

EL

TR

CS

HU

PL

# 12 Declaración de conformidad de la CE/UE

Nosotros,

Nilfisk A/S  
Marmorvej 8  
2100 Copenhagen Ø  
DINAMARCA

Por la presente declaramos bajo nuestra exclusiva responsabilidad que los

Productos: HPW – Professional – Mobile – EI – CW  
Descripción: 230 V, 50 Hz, IPX5  
Tipo: MC2C-120/520 T, -120/520 XT, -140/610 XT, -150/650 XT, -140/650 EXPT

Cumplen con los siguientes estándares:

EN 60335-1:2012+A11:2014+A13:2017+A1:2019+A14:2019+A2:2019+A15:2021+A16:2023  
EN 60335-2-79:2012  
EN 55014-1:2021  
EN 55014-2:2021  
EN 61000-3-2:2019+A1:2021  
EN 61000-3-11:2019  
EN 63000:2018

Siguiendo la armonización de legislación de la Unión:

2006/42/CE  
2014/30/UE  
2011/65/UE  
2000/14/CE – Procedimiento de evaluación de la conformidad según el anexo V.  
– Nivel de potencia acústica medido: 86-88 dB (A); Nivel de potencia acústica garantizado: 89-91 dB(A)

Broendby, 2024-01-02

*Wei-lua (Warner) Guo*

Warner Guo, VP R&D, Head of Competence Center APAC • R&D

EN

DA

NO

SV

FI

DE

FR

NL

IT

**ES**

PT

EL

TR

CS

HU

PL

EN

DA

NO

SV

FI

DE

FR

NL

IT

ES

PT

EL

TR

CS

HU

PL

# Índice

<b>1</b>	<b>Introdução .....</b>	<b>213</b>
	1.1 Símbolos utilizados para assinalar instruções.....	213
<b>2</b>	<b>Precauções de segurança e técnicas de utilização .....</b>	<b>213</b>
<b>3</b>	<b>Descrição .....</b>	<b>220</b>
	3.1 Aplicações .....	220
	3.2 Elementos de funcionamento e esquema do modelo.....	220
<b>4</b>	<b>Antes de começar a usar a sua lavadora de pressão .....</b>	<b>221</b>
	4.1 Montagem de suportes para lança pulverizadora.....	221
	4.2 Montagem do gancho da mangueira (modelos sem carreto da mangueira) ....	221
	4.3 Instalação da pega do carreto da mangueira (modelos com carreto da mangueira).....	221
	4.4 Instalação do ligador rápido.....	222
	4.5 Montagem da mangueira de alta pressão na pistola de pulverizar .....	222
<b>5</b>	<b>Trabalhar com a sua lavadora de pressão .....</b>	<b>222</b>
	5.1 Ligação da mangueira de alta pressão.....	222
	5.2 Montagem do pulverizador .....	223
	5.3 Ligação da água .....	223
	5.4 Pega telescópica .....	224
	5.5 Ligue e desligue a máquina (quando estiver ligada a um alimentador de água) .	224
	5.6 Ligar a máquina (quando alimentada por depósitos de água abertos (modo de sucção)).....	224
	5.7 Regulação da pressão.....	225
	5.8 Utilização com detergentes .....	225
	5.9 Regulação da pressão/volume de água (apenas modelos com botão de regulação da pressão e do volume de água) .....	226
<b>6</b>	<b>Aplicações e métodos de trabalho .....</b>	<b>226</b>
	6.1 Aspectos gerais .....	226
<b>7</b>	<b>Após a utilização da sua lavadora de pressão .....</b>	<b>227</b>
	7.1 Guardar a lavadora.....	227
	7.2 Enrolamento do cabo eléctrico e da mangueira de alta pressão hose .....	227
	7.3 Arrumação de acessórios.....	228
<b>8</b>	<b>Manutenção.....</b>	<b>228</b>
	8.1 Limpeza do filtro da entrada de água filter .....	228
	8.2 Limpeza do bico.....	229
	8.3 Limpeza dos ventiladores da máquina vents.....	229
	8.4 Lubrificação das uniões .....	229
<b>9</b>	<b>Resolução de Problemas.....</b>	<b>230</b>
<b>10</b>	<b>Informação adicional.....</b>	<b>231</b>
	10.1 Serviço e manutenção.....	231
<b>11</b>	<b>Dados técnicos principais .....</b>	<b>231</b>
<b>12</b>	<b>Declaração .....</b>	<b>232</b>

# 1 Introdução

## 1.1 Símbolos utilizados para assinalar instruções



Todos os pictogramas afixados na máquina de lavagem de alta pressão e nos respectivos componentes são mostrados e explicados neste manual.

As instruções de segurança assinaladas com este símbolo devem ser seguidas para evitar lesões ou danos materiais sérios.



Cuidado quando existir um risco de danificar a máquina ou os seus componentes individuais.



Este símbolo indica sugestões e instruções que se destinam a simplificar os procedimentos e a garantir um funcionamento seguro da máquina de lavagem de alta pressão.

## 2 Precauções de segurança e técnicas de utilização



Antes de colocar a sua máquina a trabalhar pela primeira vez, leia atentamente e na íntegra este manual de instruções. Guarde as instruções para utilização posterior.



### Aviso!

- A inalação de aerossóis pode ser prejudicial para a saúde. Sempre que aplicável, deve ser utilizado um dispositivo para evitar ou reduzir a produção de aerossóis como, por exemplo, uma protecção a cobrir o bocal. Para garantir a protecção contra os aerossóis deve ser utilizada uma máscara de protecção respiratória de classe FFP 2 ou superior.
- A pressão alta de água gerada pela máquina e a ligação à alimentação, em particular, constituem fontes de perigo.
- As máquinas não devem ser utilizadas por crianças ou pessoal sem a devida formação. As crianças deverão estar sob vigilância para garantir que não brincam com a máquina.
- Não utilize a máquina com pessoas nas proximidades, a menos que estas estejam a usar vestuário de protecção.
- Antes de colocar a sua máquina a trabalhar, verifique cuidadosamente se apresenta defeitos. Se detectar algum, não inicie a sua máquina e contacte o seu distribuidor da Nilfisk. O isolamento do cabo eléctrico não deverá apresentar quaisquer falhas nem rachas. Se o cabo eléctrico estiver danificado, deverá ser substituído por um distribuidor autorizado da Nilfisk.

EN

DA

NO

SV

FI

DE

FR

NL

IT

ES

PT

EL

TR

CS

HU

PL

EN

DA

NO

SV

FI

DE

FR

NL

IT

ES

PT

EL

TR

CS

HU

PL

- Desligue sempre a ficha de alimentação durante a limpeza ou manutenção e quando proceder à substituição de peças ou à conversão da máquina para outra função.
- Observe os regulamentos nacionais relativos a segurança publicados, por exemplo, pela companhia de seguros da entidade empregadora, por instituições de segurança social, autoridades de segurança e saúde no trabalho ou outras organizações.



### **Acessórios e peças sobresselentes**

- De modo a garantir a segurança da máquina, só devem ser utilizadas as peças sobresselentes originais ou aprovadas pela Nilfisk.
- As mangueiras de alta pressão, acessórios e ligações são importantes para a segurança da máquina. Utilize apenas mangueiras, acessórios e ligações recomendados pela Nilfisk.



### **Condições físicas, sensoriais ou mentais**

- Este aparelho não deve ser utilizado por pessoas (incluindo crianças) com capacidades físicas, sensoriais ou mentais reduzidas ou com falta de experiência e conhecimentos. Se a máquina for utilizada por pessoas com capacidades físicas, sensoriais ou mentais reduzidas ou com falta de experiência e conhecimentos, deverão ter sido supervisionadas ou ter recebido instruções referentes à utilização segura da máquina e compreender os riscos associados.



### **Aplicações**

Esta máquina foi desenvolvida para uso doméstico e profissional, como por exemplo:

- doméstico: automóvel, motorizada, barco, caravana, atrelado, pátio/acessos/móveis, cortador de relva.
- profissional: limpeza de superfícies, automóveis, camiões, barcos, ferramentas e equipamentos.

Qualquer outra utilização é considerada imprópria.

A Nilfisk não se responsabiliza por quaisquer danos resultantes de tal utilização. O risco de tal utilização

é suportado exclusivamente pelo utilizador. A utilização adequada inclui também a operação, a manutenção e as reparações adequadas, conforme especificado nesta instrução.

EN

DA

NO

SV

FI

DE

FR

NL

IT

ES

PT

EL

TR

CS

HU

PL

## Vestuário e equipamento

Tome sempre medidas destinadas à sua protecção quando utilizar a máquina.

- Use sapatos com solas antiderrapantes.
- Use óculos, protecção auricular e vestuário protector durante o funcionamento.



## Transporte da máquina de lavagem de alta pressão

- Quando transportar a máquina dentro ou sobre um veículo, aquela deverá estar fixa, por exemplo, com correias, para que não escorregue ou tombe.
- A Nilfisk recomenda que se posicione a máquina na horizontal, sobre o lado traseiro, quando for transportada dentro ou sobre um veículo.



## Detergentes

- Esta máquina foi concebida para ser utilizada com os detergentes fornecidos ou recomendados pela Nilfisk. A utilização de outros detergentes ou químicos poderá afectar de forma adversa o funcionamento da máquina.



## Antes de começar Inspeção da máquina

- Não utilize a máquina se um cabo de alimentação ou peças importantes da máquina estiverem danificados, por exemplo, dispositivos de segurança, mangueiras de alta pressão, a pega do pulverizador e os acessórios de pulverização.
- O gatilho da pega do pulverizador deve movimentar-se facilmente e voltar automaticamente à posição inicial quando libertado.
- Mantenha sempre a mangueira de pressão alta e o acessório de pulverização em boas condições (limpos, com liberdade de movimentos) e correctamente montados.

EN

DA

NO

SV

FI

DE

FR

NL

IT

ES

**PT**

EL

TR

CS

HU

PL



## Ligação eléctrica

### Aviso!

Minimize o risco de choque eléctrico:

- A tensão e frequência da máquina (consulte a etiqueta de classificação) devem corresponder à tensão e frequência da fonte de alimentação de rede.
- Ligue a máquina apenas a uma instalação eléctrica efectuada por um electricista certificado e que esteja em conformidade com a norma IEC 60364-1.
- Recomenda-se que a fonte de alimentação eléctrica da máquina inclua um dispositivo de corrente residual que interrompa a alimentação se a corrente de fuga para a terra exceder 30 mA durante 30 ms.
- Utilizar fusíveis do motor de arranque/retardados da categoria C ou D, de acordo com a norma IEC/ EN 60898-1 / IEC 947-2 ou normas equivalentes fora do âmbito da IEC.
- Devido ao elevado consumo de energia do aparelho, é necessário um fusível de rede apropriado.
- Cabos de extensão inadequados podem ser perigosos. Se utilizar um cabo de extensão, este deve ser adequado para utilização no exterior e a ligação tem de ser mantida seca e fora do chão.
- A Nilfisk recomenda a utilização de um rolo de cabo de extensão quando este for necessário para manter a tomada pelo menos 60 mm acima do chão.
- Se o cabo eléctrico ficar danificado, deve ser substituído por um distribuidor autorizado da Nilfisk ou por uma pessoa devidamente qualificada para evitar qualquer perigo.
- Ligar a máquina de lavagem de alta pressão a um sistema de alimentação, sendo a impedância máxima admitida =  $0,4023 \Omega$  ( $Z_{max}$ ). Confirme junto da autoridade de fornecimento que o equipamento está ligado apenas a uma fonte de alimentação com essa impedância ou inferior.





## Ligação de água

- Esta máquina de lavagem de alta pressão só poderá ser ligada à rede de água potável quando tiver sido instalado um dispositivo anti-retorno apropriado, Tipo BA, em conformidade com a norma EN 60335-2-79.
- O dispositivo anti-retorno pode ser encomendado através do número 106411177.
- Assim que a água potável tiver circulado pelo dispositivo anti-retorno, deixa de ser considerada como potável.
- O funcionamento por aspiração (por exemplo, a partir de um tanque de água pluvial) é realizado sem um dispositivo anti-retorno – consulte “Ligação a uma fonte de abastecimento de água sem pressão”. A máquina pode ser ligada à rede de distribuição de água com uma pressão máx. de entrada de 1 MPa/ 10 bares e uma temperatura máx. de 60 °C.

## Dispositivos de segurança

### Dispositivo de bloqueio na pega do pulverizador:

- A pega do pulverizador possui um dispositivo de bloqueio. Quando a lingueta é ativada, a pega do pulverizador não pode ser operada.

### Sensor térmico:

- Reposição automática  
Um sensor térmico protege o motor contra sobrecarga. O aparelho irá reiniciar após alguns minutos, quando o sensor térmico tiver arrefecido.
- Sem reposição automática (apenas para o modelo MC2C US)  
É necessária uma operação manual para efetuar a reposição. A operação manual significa a desconexão do aparelho da rede de alimentação elétrica.



### Cuidado:

Para evitar riscos devido a uma reposição inadvertida da proteção térmica, este aparelho não deve ser alimentado por um dispositivo de comutação externo, como um temporizador, nem ligado a um circuito que seja regularmente ligado e desligado pelo serviço de utilidade pública.

EN

DA

NO

SV

FI

DE

FR

NL

IT

ES

PT

EL

TR

CS

HU

PL

EN

DA

NO

SV

FI

DE

FR

NL

IT

ES

PT

EL

TR

CS

HU

PL

## Dispositivo de segurança de pressão:

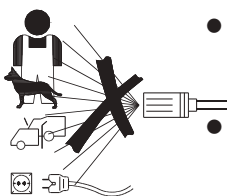
- Uma válvula hidráulica de segurança integrada protege o sistema contra pressão excessiva.



## Durante o funcionamento

### Aviso!

- Não é permitido limpar a alta pressão superfícies que contenham amianto.
- Nunca recolha líquidos que contenham solventes (por exemplo, gasolina, óleo de aquecimento, diluente ou acetona). Estas substâncias danificam os materiais utilizados na máquina. A pulverização é altamente combustível, explosiva e venenosa.
- Nunca dirija o jacto de água para si mesmo, para outros nem para vestuário ou calçado limpos – **risco de lesões**.
- Nunca dirija o jacto de água para animais de estimação ou outros.
- Nunca dirija o jacto de água para equipamento eléctrico ligado ou para a própria máquina de limpeza – **perigo de curto-circuito**.
- A lança pulverizadora é afetada por um impulso de até 27,4 N e um torque súbito ao ativar o gatilho da pega do pulverizador durante a operação.
- Esta máquina de lavagem de alta pressão não deve ser utilizada a temperaturas inferiores a 0 °C.
- Nunca inicie uma máquina que esteja congelada. Os danos de congelamento não são cobertos pela garantia!
- Certifique-se de que está apoiado no chão de forma firme e segura.
- A máquina será utilizada na posição vertical.
- Se a máquina não for usada durante 5 minutos, deve ser desligada no botão iniciar/parar “O” (1).



## Quando terminar

### AVISO!

- Desligue sempre a máquina e retire a ficha de alimentação da tomada quando terminar e quando deixar a máquina sem supervisão.

- Desligue a mangueira de entrada de água entre a máquina e a fonte de abastecimento de água.
- Esvazie sempre a bomba, a mangueira e os acessórios de água depois de utilizar a máquina e antes de a armazenar.



## Manutenção e reparações

### AVISO!

- Desligue sempre a ficha eléctrica da tomada antes de proceder a manutenção, limpeza e reparações.
- Qualquer reparação deverá ser sempre realizada numa oficina autorizada pela Nilfisk com peças sobresselentes originais da Nilfisk.
- Não tente proceder a qualquer manutenção não descrita nas instruções.
- Se a máquina não arrancar, parar, trepidar, apresentar flutuações de pressão, solavancos do motor, fusíveis fundidos ou se não sair água, consulte o diagrama de Resolução de problemas nestas instruções. Caso ocorram outros problemas, contacte o seu distribuidor local da Nilfisk.
- A limpeza e a manutenção não devem ser efetuadas por crianças sem supervisão.



## Eliminação correta deste produto

Esta marcação indica que este produto não deverá ser eliminado com outros resíduos domésticos em toda a UE. Para evitar eventuais danos para o ambiente ou a para saúde humana, provocados por eliminação de resíduos não controlada, recicle-os de forma responsável para promover a reutilização sustentável dos recursos materiais. Para devolver o seu dispositivo usado, recorra aos sistemas de devolução e recolha ou contacte o retalhista onde o produto foi comprado. Estes podem enviar o produto para reciclagem ambientalmente segura.

EN

DA

NO

SV

FI

DE

FR

NL

IT

ES

PT

EL

TR

CS

HU

PL

EN

## 3 Descrição

DA

NO

SV

FI

DE

FR

NL

IT

ES

PT

EL

TR

CS

HU

PL

### 3.1 Aplicações

Esta máquina de lavar de alta pressão foi desenvolvida para limpeza de rotina semi-profissional:

- *Trabalhos artesanais, limpeza de veículos, barcos, caravanas e pequenos trabalhos de limpeza profissionais, no âmbito da montagem e construção*

A Secção 6 descreve a utilização da lavadora de alta pressão em diversos trabalhos de limpeza.

Utilize a lavadora de alta pressão apenas para as tarefas descritas neste manual.

As recomendações de segurança devem ser respeitadas para evitar danos na própria máquina, nas superfícies a limpar ou ferimentos pessoais graves.

### 3.2 Elementos de funcionamento e esquema do modelo



Ver a ilustração no final deste manual.

- 1 Botão Iniciar/Parar
- 2 Entrada de água (com filtro)
- 3 Ligação de alta pressão (apenas modelos sem carroto da mangueira)
- 4 Mangueira de alta pressão
- 5 Cabo eléctrico
- 6 Regulação da pressão/volume de água (não é padrão)
- 7 Pistola de pulverização Ergo 2000 com bloqueio (7a)
- 8 Pulverizador Flexopower Plus
- 9 Lança de pulverização 4 em 1 (modelos T e XT)
- 10 Recipiente destacável para detergentes

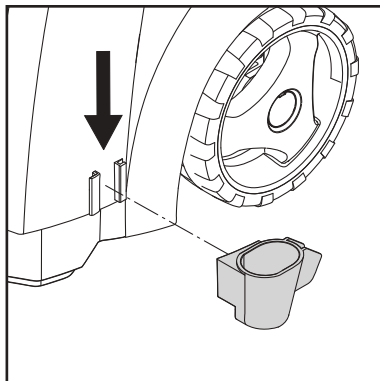
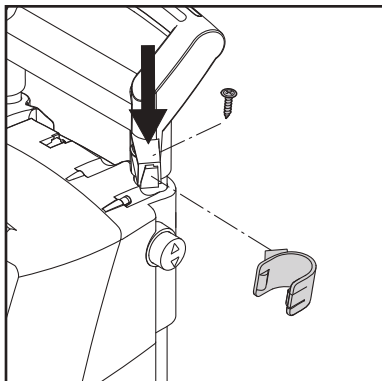
- 11 Peça de limpeza do bico
- 12 Carreto da mangueira
- 13 Cabide para a mangueira (apenas modelos sem carroto da mangueira)
- 14 Etiqueta do modelo
- 15 Botão para a pega telescópica
- 16 Pega do carrinho (pega telescópica)
- 17 Gancho rotativo para o cabo

**Especificações:** Ver etiqueta do modelo (14) da máquina.

Reservamo-nos o direito de alterar as especificações

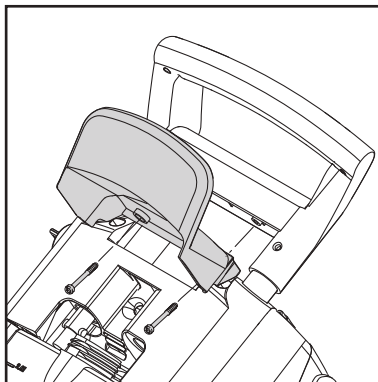
# 4 Antes de começar a usar a sua lavadora de pressão

## 4.1 Montagem de suportes para lança pulverizadora



Monte os suportes para a lança pulverizadora na máquina.

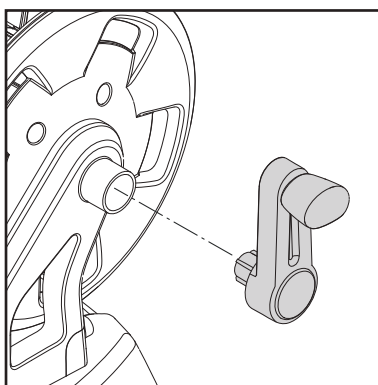
## 4.2 Montagem do gancho da mangueira (modelos sem carrinho da mangueira)



Monte o gancho para a mangueira (13) na máquina (2 parafusos).

**Nota:** O gancho para a mangueira pode ser colocado tanto à frente como atrás. Deve ser colocado na posição frontal quando for usado conjuntamente com um cabide especial de parede para arrumação.

## 4.3 Instalação da pega do carrinho da mangueira (modelos com carrinho da mangueira)



Encaixe a pega do carrinho da mangueira na pega do carrinho (sem parafusos).

EN

DA

NO

SV

FI

DE

FR

NL

IT

ES

**PT**

EL

TR

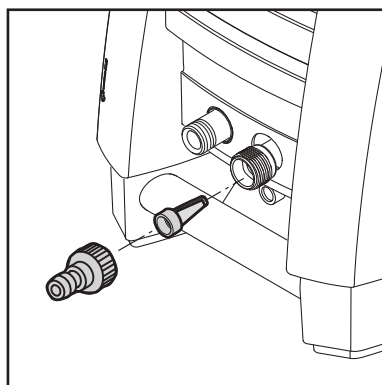
CS

HU

PL

EN

#### 4.4 Instalação do ligador rápido



Aparafuse bem o ligador rápido à entrada de água (2).



**Nota:** O filtro de entrada deve ser sempre colocado no tubo de

entrada de água para filtrar impurezas de maior dimensão, pois estas danificarão as válvulas da bomba.

**Cuidado:** A deficiente colocação do filtro anulará a garantia.

DA

NO

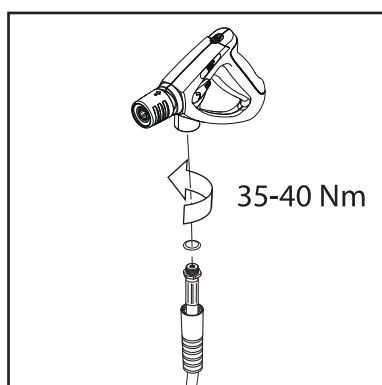
SV

FI

DE

FR

#### 4.5 Montagem da mangueira de alta pressão na pistola de pulverizar



Monte a mangueira de alta pressão (4) à pistola de pulverizar (7).

NL

IT

ES

PT

EL

TR

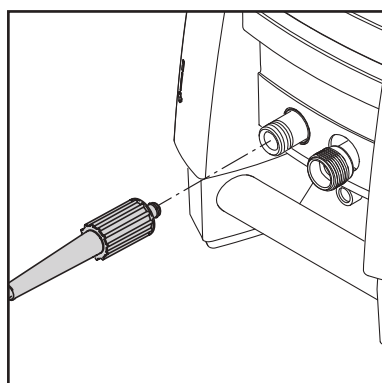
## 5 Trabalhar com a sua lavadora de pressão

CS

HU

PL

#### 5.1 Ligação da mangueira de alta pressão



**Modelos sem carreto da mangueira:**

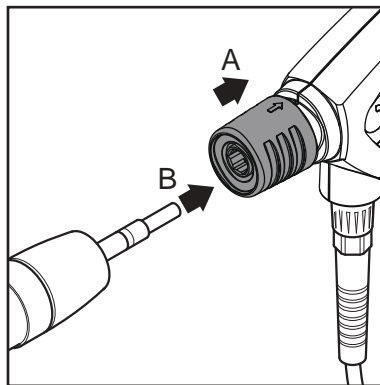
Ligue a mangueira de alta pressão (4) à ligação respectiva (3).

Utilize apenas uma mangueira de extensão com o comprimento máximo de 7 m.

**Modelos com carreto da mangueira:**

Desenrole completamente a mangueira de alta pressão.

## 5.2 Montagem do pulverizador



1. Puxe para trás o manípulo de desengate rápido azul (A) da pistola pulverizadora.
2. Insira o bocal da lança pulverizadora (B) na ligação de desengate rápido e retire-o.
3. Puxe a lança pulverizadora (ou outro acessório) para a frente para verificar se está devidamente presa à pistola pulverizadora.

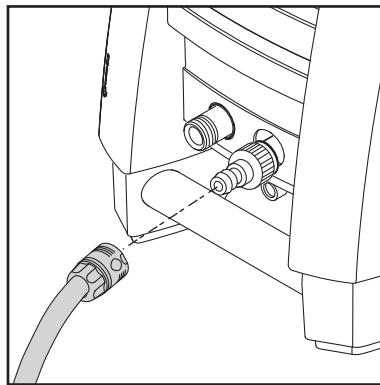


### INDICAÇÃO!

Sempre limpar o niple de eventuais partículas de sujidade antes de conexas o pulverizador e a pistola de pulverização.

## 5.3 Ligação da água

Deverá ser usada uma mangueira de jardim normal de 1/2" com um mínimo de 10 m e um máximo de 25 m.



**IMPORTANTE! Utilize apenas água limpa que não contenha impurezas.** Se existir o risco de passar areia na entrada de água (do seu poço, por exemplo), deve ser instalado um filtro adicional.

1. Deixe a água correr pela mangueira antes de a ligar à máquina para evitar a entrada de areia e de sujidade.



**Nota:** Verifique se o filtro está colocado no cano de entrada de água e que não se encontra obstruído.

2. Ligue a mangueira da água à torneira utilizando o ligador rápido (entrada de água, pressão máx.: 10 bar, temperatura máx.: 60 °C).
3. Ligue a água.



**NOTA:** Ligação à rede pública de acordo com as normas regulamentares.

EN

DA

NO

SV

FI

DE

FR

NL

IT

ES

PT

EL

TR

CS

HU

PL

EN

DA

NO

SV

FI

DE

FR

NL

IT

ES

PT

EL

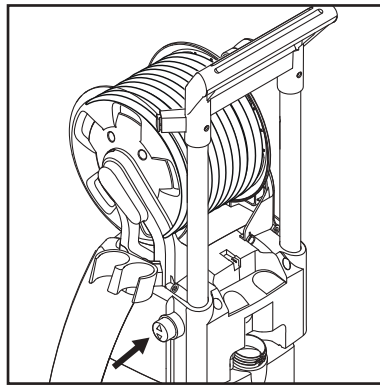
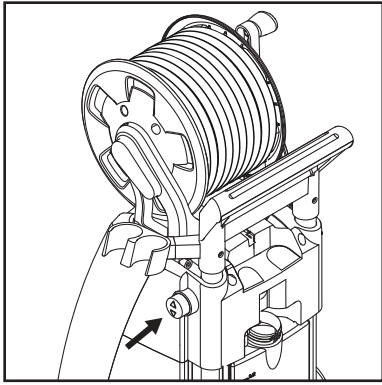
TR

CS

HU

PL

## 5.4 Pega telescópica




A máquina possui uma pega telescópica. Para levantar ou baixar a pega, prima o botão e mova a pega para cima ou para baixo. Quando se ouvir um clique, tal indica que a pega está na posição certa.

## 5.5 Ligue e desligue a máquina (quando estiver ligada a um alimentador de água)



Durante o seu funcionamento, o pulverizador está sujeito a uma força de propulsão – por isso, segure-o sempre firmemente com as duas mãos.

**IMPORTANTE: Direcione o bico para o chão.**

1. Certifique-se de que a máquina está em posição vertical.
- NOTA:** Não coloque a máquina sobre relva alta!
2. Abra o fecho do gatilho.
3. Active o gatilho da pega do pulverizador e deixe a água correr até que todo o ar tenha saído da mangueira de alta pressão
4. Coloque o botão iniciar/parar (1) na posição .
5. Accione o gatilho da pistola de pulverização.

Adapte sempre a distância e, desse modo, a pressão do bico à superfície que pretende limpar.

A água pode ser fornecida por um tanque com água da chuva, por exemplo. A mangueira do alimentador de água não deve ser demasiado longa: cerca de 5 m.

Certifique-se de que o tanque da água não se encontra num nível mais baixo que a máquina.

Utilize um filtro externo se a água contiver impurezas.

1. Certifique-se de que a mangueira da água se

Não cubra a máquina durante a operação ou use-o em uma sala sem ventilação apropriada! funcionamento desta.



**Nota:** Se a máquina não for usada durante

5 minutos, deve ser desligada no botão iniciar/parar “O” (1):


1. Coloque o botão iniciar/parar (1) na posição “O”.
2. Desligue a ficha eléctrica da tomada.
3. Retire a torneira e accione o gatilho para aliviar a pressão da máquina.
4. Feche a pistola de pulverização.

Sempre que soltar o gatilho da pistola de pulverização, a máquina pára automaticamente. A máquina volta a funcionar quando accionar novamente a pistola de pulverização.


encontra completamente cheia de água antes de ligar à máquina. Coloque a mangueira toda num tanque ou balde. Para evitar derramamento de água, comprima a mangueira de entrada de água na água e, de seguida, ligue a mangueira à máquina com a união rápida e, finalmente, deixe de comprimir a mangueira de entrada.

2. Desmonte a pega do pulverizador, a lança e o bocal.
3. Rode o interruptor de arranque/paragem para

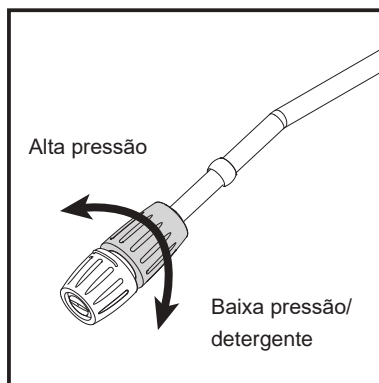


a posição  e deixe que a água corra até o ar ter sido expelido da mangueira de água e da bomba.

4. Coloque o botão iniciar/parar (1) na posição "O".

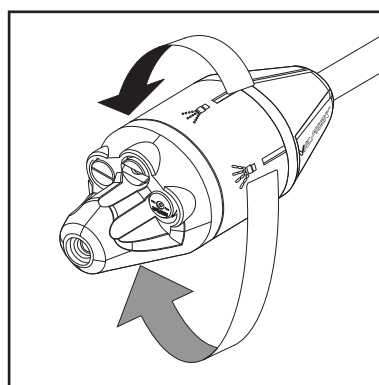
5. Monte a pega do pulverizador e depois a lança.
6. Coloque o botão iniciar/parar (1) na posição .
7. Accione o gatilho da pistola de pulverização.

## 5.7 Regulação da pressão



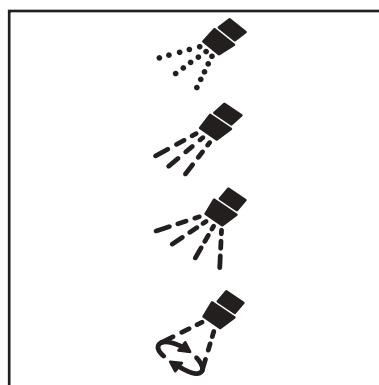
### Pulverizador Flexpower Plus

A pressão pode ser regulada no pulverizador Flexpower Plus.



### Modelos T e XT:

Lança de pulverização 4 em 1 A pressão pode ser regulada na lança de pulverização 4 em 1.



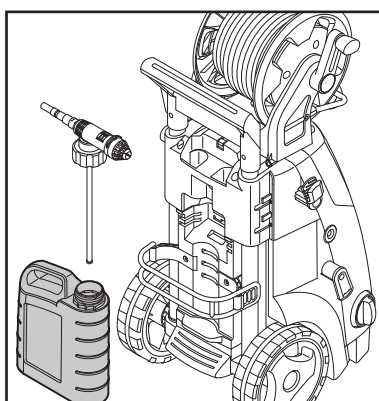
Baixa Pressão / detergente

Tornado / alta pressão

Ângulo largo / alta pressão

Turbohammer / alta pressão

## 5.8 Utilização com detergentes



1. Encha o recipiente com detergente.
2. Aplique o detergente de baixo para cima.
3. Deixe o detergente atuar durante o tempo indicado na embalagem do mesmo e enxague com água limpa ou, em alternativa, utilize uma escova.

EN

DA

NO

SV

FI

DE

FR

NL

IT

ES

**PT**

EL

TR

CS

HU

PL

EN

### 5.9 Regulação da pressão/ volume de água (apenas modelos com botão de regulação da pressão e do volume de água)

DA

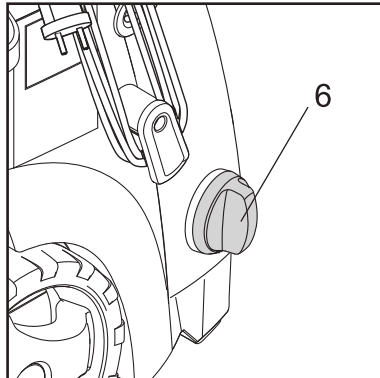
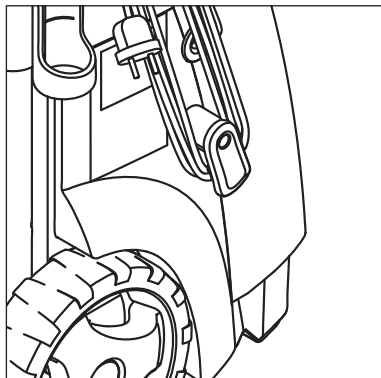
NO

SV

FI

DE

FR



A pressão de funcionamento e o volume de água podem ser ajustados no aparelho rodando o botão para regulação da pressão/volume de água (6).

NL

## 6 Aplicações e métodos de trabalho

IT

### 6.1 Aspectos gerais

Consegue-se uma eficaz limpeza a alta pressão adoptando algumas regras, combinadas com a sua experiência pessoal em tarefas específicas de limpeza. Os acessórios e os detergentes, quando escolhidos correctamente, podem aumentar a eficácia da sua lavadora de pressão. Apresentamos algumas informações básicas sobre limpeza.

ES

PT

EL

#### 6.1.1 Detergente e espuma

A espuma ou o detergente devem ser aplicados sobre as superfícies secas, de modo a que os produtos químicos estejam em contacto directo com a sujidade. Os detergentes são aplicados de baixo para cima, por exemplo na carroçaria de um automóvel, para evitar áreas “super limpas”, nos sítios em que o detergente escorre e se concentra mais. Deixe que o detergente actue alguns minutos antes de o remover, mas nunca deixe que seque na superfície que está a ser limpa. **Nota:** É importante que os detergentes não sequem. Caso contrário, a superfície que se pretende limpar pode ser danificada.

TR

CS

HU

PL

#### 6.1.2 Acção mecânica

Para a remoção das camadas mais difíceis de sujidade, pode ser necessária uma actuação mecânica complementar. Escovas de lavagem especiais proporcionam este efeito suplementar que remove a sujidade mais resistente, películas de tráfego ou equivalente.

# 7 Após a utilização da sua lavadora de pressão

EN

DA

NO

SV

FI

DE

FR

NL

IT

ES

PT

EL

TR

CS

HU

PL

## 7.1 Guardar a lavadora



O aparelho deve ser guardado num local não sujeito à formação de gelo!

A bomba, a mangueira e os acessórios devem ser sempre esvaziados da água antes de serem guardados, conforme se descreve em seguida:

1. Desligue o aparelho (botão rotativo (1) na pos. "O") e desencaixe a mangueira e os acessórios.
2. Ligue novamente o aparelho e active o gatilho. Deixe o aparelho funcionar até parar de correr água através da pistola pulverizadora.
3. Desligue o aparelho e desligue o cabo da electricidade. Enrole o cabo eléctrico à volta dos ganchos laterais do aparelho.
4. Desmonte a pega do pulverizador e a lança pulverizadora.

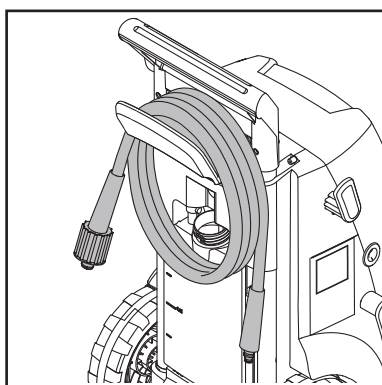
5. **Modelos sem carroto da mangueira:** Separe a mangueira de alta pressão, enrole-a e coloque-a no suporte de mangueira.
- Modelos com carroto da mangueira:** Enrole a mangueira de alta pressão no enrolador de mangueira.
6. Coloque a pistola pulverizadora, bicos e outros acessórios nos suportes do aparelho.

Se por engano a máquina congelar, deixe-a descongelar e verifique se sofreu danos.

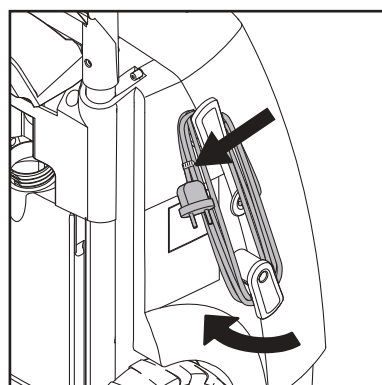
**NUNCA LIGUE UM APARELHO COM ÁGUA CONGELADA NO INTERIOR.**

**Os danos provocados pelo gelo não estão cobertos pela garantia!**

## 7.2 Enrolamento do cabo eléctrico e da mangueira de alta pressão hose



Para evitar acidentes, o cabo eléctrico e a mangueira de alta



pressão devem ser sempre cuidadosamente enrolados.

1. Enrole o cabo eléctrico nos ganchos apropriados. Clip integrado para uma boa fixação. O gancho inferior pode ser rodado para libertar o cabo eléctrico.
2. A lavadora de alta pressão é apresentada em dois modelos: A) com cabide para guardar a mangueira de alta pressão (13) – B) com um carroto de mangueira (12).

EN

DA

NO

SV

FI

DE

FR

NL

IT

ES

PT

EL

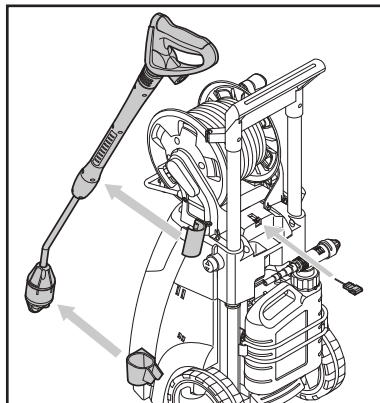
TR

CS

HU

PL

### 7.3 Arrumação de acessórios



Os acessórios de série (pistola de pulverizar, pulverizador (A), peça de limpeza do bico) podem ser arrumados na lavadora de pressão.

## 8 Manutenção



**ATENÇÃO!** Desligue sempre a ficha eléctrica da tomada antes de efectuar qualquer actividade de manutenção ou limpeza da máquina.

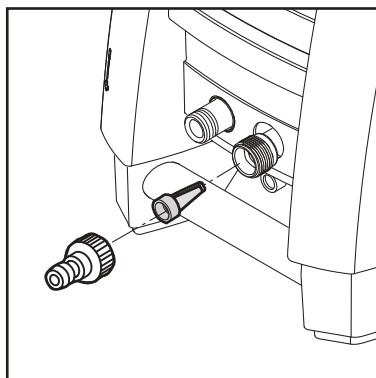
Para garantir uma vida longa e sem problemas de funcionamento, siga os seguintes conselhos:

- Lave a mangueira da água, a mangueira de alta pressão, o pulverizador e os acessórios antes da respectiva montagem.
- Limpe o pó e a areia dos ligadores.
- Limpe os bicos.

Qualquer reparação deve ser efectuada num estabelecimento autorizado com peças sobresselentes originais.

### 8.1 Limpeza do filtro da entrada de água filter

Limpe regularmente o filtro de entrada de água um vez por mês, ou com maior frequência, conforme a utilização.

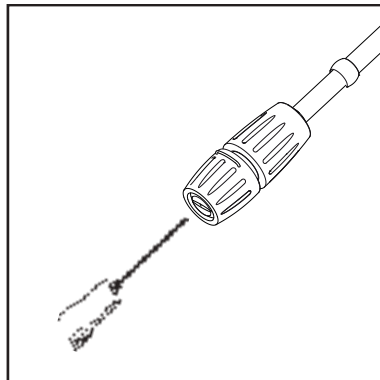


Com a ajuda de um alicate, desaperte cuidadosamente o filtro e limpe-o. Verifique que se encontra intacto antes de o voltar a instalar.

O filtro de entrada deve ser sempre colocado no interior do tubo de entrada de água para filtrar diversas impurezas, pois danificarão as válvulas da bomba.

**CUIDADO:** A deficiente colocação do filtro anulará a garantia.

## 8.2 Limpeza do bico



O entupimento do bico provoca uma pressão da bomba demasiado alta. Por essa razão tem de ser limpo imediatamente.

1. Pare a máquina e retire o bico.
2. Limpe o bico. **IMPORTANTE:** A peça de limpeza (11) apenas deve ser usada quando o bico estiver separado!
3. Passe o bico por água, da frente para trás.

## 8.3 Limpeza dos ventiladores da máquina vents

A máquina deve estar limpa de modo a deixar passar livremente ar fresco pelos seus ventiladores.

## 8.4 Lubrificação das uniões

Para garantir uma boa ligação e para que as juntas circulares não sequem, as uniões devem ser lubrificadas regularmente.

EN

DA

NO

SV

FI

DE

FR

NL

IT

ES

**PT**

EL

TR

CS

HU

PL

EN

## 9 Resolução de Problemas

DA

NO

Para evitar situações desnecessárias de insatisfação, deve verificar os seguintes aspectos antes de contactar os serviços da Nilfisk:

SV

FI

DE

FR

NL

IT

ES

PT

EL

TR

CS

HU

PL

Situação	Causa	Acção recomendada
<b>A máquina não começa a trabalhar</b>	A ficha da máquina não está ligada Tomada avariada O fusível fundiu Extensão eléctrica avariada	Ligar a ficha da máquina. Experimentar outra tomada. Substituir o fusível. Desligar outras máquinas. Experimentar sem a extensão.
<b>Pressão inconstante</b>	Bomba suga o ar Válvulas sujas, gastas ou coladas Vedantes da bomba gastos	Verificar se as mangueiras e as ligações não têm entradas de ar. Limpar e substituir ou dirigir-se ao distribuidor local da Nilfisk distribuidor Limpar e substituir ou dirigir-se ao distribuidor local da Nilfisk distribuidor.
<b>Falhas do motor</b>	Baixa voltagem ou baixa temperatura	Accione o gatilho da pistola de pulverização.
<b>A máquina pára</b>	O fusível fundiu Voltagem da rede inadequada Sensor térmico activado Bico parcialmente entupido	Substituir o fusível. Desligar outras máquinas. Verifique se a voltagem da rede corresponde à especificação da etiqueta do modelo. Deixe a lavadora arrefecer durante 5 minutos. Limpe o bico (ver secção 7.2).
<b>Fusível funde</b>	Fusível demasiado fraco	Mude para uma instalação superior ao consumo de amperes da máquina. Pode experimentar sem a extensão eléctrica.
<b>A máquina vibra</b>	Ar na entrada da mangueira/bomba Má alimentação da rede de água Bico parcialmente entupido Filtro da água entupido Mangueira torcida	Deixe a máquina trabalhar com o gatilho aberto até voltar a funcionar com a pressão normal. Verifique se a alimentação de água corresponde às especificações exigidas (ver etiqueta do modelo). <b>NB!</b> Evite a utilização de mangueiras compridas e finas (min. 1/2"). Limpe o bico (ver secção 7.2). Limpe o bico (ver secção 7.1). Estique a mangueira.
<b>A máquina liga-se e desliga-se sozinho frequentemente</b>	Pistola de pulverização tem uma fuga	Contacte o Centro de Serviço Nilfisk mais próximo. Substituir assento / bola / anel-O da válvula de pistola de pulverização.
<b>A máquina começa a trabalhar, mas não sai água</b>	A bomba/mangueiras ou os acessórios congelados Falta alimentação de água Filtro da água entupido Bico entupido	Espere que a bomba/mangueira ou os acessórios descongelem. Ligue a entrada de água. Limpe o bico (ver secção 7.1). Limpe o bico (ver secção 7.2).
<b>A pressão da bomba decai</b>	O botão de regulação da pressão/volume de água não	Ajuste o botão para a pressão de funcionamento correcta.

No caso de ocorrerem outros problemas, para além dos mencionados, contacte o seu distribuidor local da Nilfisk.

# 10 Informação adicional

## 10.1 Serviço e manutenção

Em caso de necessidade de serviço e manutenção, entre em contato com o distribuidor.

# 11 Dados técnicos principais

Tipo		MC2C-60/520 XT US-CAN	MC2C-80/520 T	MC2C-120/520 T	MC2C-120/520 XT	MC2C-140/610 XT	MC2C-140/610 P	MC2C-150/650	MC2C-140/650 (EXPT)	MC2C-150/650 XT
Pressão nominal	bar/MPa	60/6,0	80/8,0	120/12	120/12	140/14	140/14	150/15	140/14	150/15
Impacto da limpeza	kg/força	2	2	2,2	2,2	2,5	2,5	2,9	2,9	2,9
Fluxo	Qmax/ QIEC l/min	2,3/2,2 gallon	8,7/8,2	8,7/7,8	8,7/7,8	10,2/9,0	10,2/9,0	10,8/9,5	10,8/9,5	10,8/9,5
Potência/fase/frequência corrente	V/- Hz/A	120/1/ 60/15	115-127/1/ 60/15	230/1/ 50/10	230/1/ 50/10	230/1/ 50/12,6	230/1/ 50/12,6	230/1/ 50/14,5	220/1/ 60/14,5	230/1/ 50/14,5
Temperatura máxima da água	°C	60	60	60	60	60	60	60	60	60
Cabo		10	5	5	5	5	5	5	5	5
Bomba	Rev./min	3400	3400	2800	2800	2800	2800	2800	3400	2800
Dimensão do bico	1/8"	0,475	0,475	0,340	0,340	0,340	0,370	0,340	0,350	0,340
Nível de pressão acústica LpA	dB(A)	72 ±2	72 ±2	72 ±2	72 ±2	72 ±2	72 ±2	72 ±2	72 ±2	72 ±2
Nível de potência acústica LwA	dB(A)	89	86	86	86	86	86	88	88	88
Vibração según ISO 5349	m/s <sup>2</sup>	< 2,5	< 2,5	< 2,5	< 2,5	< 2,5	< 2,5	< 2,5	< 2,5	< 2,5
Peso	kg	28,6	27,3	27,3	28,1	28,1	28,1	26,3	26,3	28,1

EN

DA

NO

SV

FI

DE

FR

NL

IT

ES

**PT**

EL

TR

CS

HU

PL

EN

# 12 Declaração

DA

Nós,

NO

Nilfisk A/S  
Marmorvej 8  
2100 Copenhagen Ø  
DINAMARCA

SV

Declaramos, sob nossa exclusiva responsabilidade, que os

FI

Produtos: HPW – Professional – Mobile – EI – CW

Descrição: 230 V, 50 Hz, IPX5

DE

Tipo: MC2C-120/520 T, -120/520 XT, -140/610 XT, -150/650 XT, -140/650 EXPT

FR

Estão em conformidade com as seguintes normas:

EN 60335-1:2012+A11:2014+A13:2017+A1:2019+A14:2019+A2:2019+A15:2021+A16:2023

EN 60335-2-79:2012

NL

EN 55014-1:2021

EN 55014-2:2021

IT

EN 61000-3-2:2019+A1:2021

EN 61000-3-11:2019

EN 63000:2018

ES

Segundo as legislações de harmonização da União:

2006/42/CE

2014/30/UE

2011/65/UE

PT

2000/14/CE – Procedimento de avaliação de conformidade de acordo com o Anexo V.

– Nível de potência sonora medido: 86-88 dB (A); nível de potência sonora garantido: 89-91 dB (A)

EL

TR

Broendby, 2024-01-02

*Wei-lua (Warner) Guo*

CS

Warner Guo, VP R&D, Head of Competence Center APAC • R&D

HU

PL



# Ευρετήριο

<b>1</b>	<b>Εισαγωγή</b> .....	<b>234</b>
	1.1 Σύμβολα που χρησιμοποιούνται για την επισήμανση των οδηγιών.....	234
<b>2</b>	<b>Προληπτικά μέτρα ασφαλείας και τεχνικές εργασίας</b> .....	<b>234</b>
<b>3</b>	<b>Περιγραφή</b> .....	<b>242</b>
	3.1 Εφαρμογή .....	242
	3.2 Στοιχεία λειτουργίας και εξέταση μοντέλου .....	242
<b>4</b>	<b>Πριν αρχίσετε να χρησιμοποιείτε το μηχάνημα πλύσης υψηλής πίεσης.</b>	<b>243</b>
	4.1 Τοποθέτηση των εξαρτημάτων στήριξης της διάταξης ψεκασμού.....	243
	4.2 Τοποθέτηση του αγκίστρου του εύκαμπτου σωλήνα (Μοντέλα χωρίς καρούλι τυλίγματος) .....	243
	4.3 Τοποθέτηση της λαβής του έλικτρου για τον εύκαμπτο σωλήνα (μοντέλα με έλικτρο για τον εύκαμπτο σωλήνα) .....	243
	4.4 Τοποθέτηση του ταχυ συνδέσμου .....	244
	4.5 Συναρμογή του σωλήνα υψηλής πίεσης στο πιστόλι ψεκασμού .....	244
<b>5</b>	<b>Λειτουργία του μηχανήματος πλύσης υψηλής πίεσης</b> .....	<b>245</b>
	5.1 Σύνδεση του εύκαμπτου σωλήνα υψηλής πίεσης .....	245
	5.2 Τοποθέτηση του βραχίονα ψεκασμού .....	245
	5.3 Σύνδεση νερού.....	245
	5.4 Τηλεσκοπική λαβή.....	246
	5.5 Ξεκινήστε και σταματήστε τη λειτουργία του μηχανήματος (όταν έχει συνδεθεί σε μια παροχή νερού) .....	246
	5.6 Ξεκινήστε τη λειτουργία του μηχανήματος (όταν συνδέεται σε ανοικτά δοχεία (κατάσταση λειτουργίας αναρρόφησης)).....	247
	5.7 Ρύθμιση πίεσης.....	247
	5.8 Λειτουργία με απορρυπαντικά.....	248
	5.9 Ρύθμιση της πίεσης / ποσότητας νερού (μόνο μοντέλα με κουμπί για τη ρύθμιση της πίεσης και του όγκου νερού).....	248
<b>6</b>	<b>Πεδία εφαρμογής και μέθοδοι λειτουργίας</b> .....	<b>249</b>
	6.1 Γενικά.....	249
<b>7</b>	<b>Μετά την χρησιμοποίηση του μηχανήματος πλύσης υψηλής πίεσης ..</b>	<b>250</b>
	7.1 Φύλαξη του μηχανήματος πλύσης .....	250
	7.2 Τύλιγμα του ηλεκτρικού καλωδίου και του εύκαμπτου σωλήνα υψηλής πίεσης ..	250
	7.3 Φύλαξη των εξαρτημάτων .....	251
<b>8</b>	<b>Συντήρηση</b> .....	<b>251</b>
	8.1 Καθαρισμός του φίλτρου εισόδου του νερού.....	251
	8.2 Καθαρισμός του ακροφυσίου .....	252
	8.3 Καθαρισμός των οπών αερισμού του μηχανήματος vents.....	252
	8.4 Λίπανση των συνδέσμων .....	252
<b>9</b>	<b>Ανίχνευση Βλαβών</b> .....	<b>253</b>
<b>10</b>	<b>Περισσότερες πληροφορίες</b> .....	<b>254</b>
	10.1 Συνθήκες εγγύησης.....	254
<b>11</b>	<b>Κύρια Τεχνικά Χαρακτηριστικά</b> .....	<b>254</b>
<b>12</b>	<b>Δήλωση</b> .....	<b>255</b>

EN

DA

NO

SV

FI

DE

FR

NL

IT

ES

PT

EL

TR

CS

HU

PL

# 1 Εισαγωγή

## 1.1 Σύμβολα που χρησιμοποιούνται για την επισήμανση των οδηγιών

Όλα τα εικονογράμματα που είναι προσαρτημένα στη συσκευή πλήσης υψηλής πίεσης και στα εξαρτήματά της παρουσιάζονται και επεξηγούνται στο παρόν εγχειρίδιο.



Οι οδηγίες ασφαλείας που επισημαίνονται με αυτό το σύμβολο πρέπει να ακολουθούνται πιστά για την αποφυγή προσωπικού τραυματισμού ή σοβαρής υλικής ζημιάς.



Επιδείξτε προσοχή όταν υπάρχει κίνδυνος πρόκλησης ζημιάς στη συσκευή ή στα μεμονωμένα εξαρτήματά της.



Αυτό το σύμβολο υποδεικνύει συμβουλές και οδηγίες για την απλούστευση της εργασίας σας και για τη διασφάλιση της ασφαλούς λειτουργίας της συσκευής πλήσης υψηλής πίεσης.

## 2 Προληπτικά μέτρα ασφαλείας και τεχνικές εργασίας



Προτού θέσετε τη συσκευή σας για πρώτη φορά σε λειτουργία, πρέπει να διαβάσετε προσεκτικά το παρόν εγχειρίδιο οδηγιών. Αποθηκεύστε τις οδηγίες για μελλοντική χρήση.



### ΠΡΟΕΙΔΟΠΟΙΗΣΗ!

- Η εισπνοή αερολυμάτων μπορεί να είναι επικίνδυνη για την υγεία. Εάν το επιτρέπουν οι συνθήκες, χρησιμοποιήστε μία συσκευή για να αποφύγετε ή να περιορίσετε την παραγωγή αερολυμάτων, π.χ., ένα προστατευτικό κάλυμμα για το ακροφύσιο. Για προστασία από τα αερολύματα, χρησιμοποιήστε μία αναπνευστική προσωπίδα κατηγορίας FFP 2 ή υψηλότερης.
- Η υψηλή πίεση νερού που παράγεται από τη συσκευή και η σύνδεση με την τροφοδοσία είναι πηγές ιδιαίτερου κινδύνου.
- Τα μηχανήματα δεν πρέπει να χρησιμοποιούνται από παιδιά ή μη εκπαιδευμένο προσωπικό. Τα παιδιά πρέπει να επιβλέπονται, ώστε να διασφαλίζεται ότι δεν παίζουν με το μηχάνημα.
- Μην χρησιμοποιείτε το μηχάνημα κοντά σε άλλα άτομα, εκτός εάν φορούν προστατευτικά ρούχα.
- Προτού θέσετε σε λειτουργία της συσκευής σας, ελέγξτε τη προσεκτικά για τυχόν ελαττώματα. Εάν βρείτε οτιδήποτε, μη θέσετε σε λειτουργία τη συσκευή σας. Επικοινωνήστε με τον διανομέα της Nilfisk. Η μόνωση του ηλεκτρικού καλωδίου θα πρέπει να είναι χωρίς ελαττώματα και ρωγμές. Εάν το ηλεκτρικό καλώδιο έχει υποστεί βλάβη, θα πρέπει να το αντικαταστήσει ένας εξουσιοδοτημένος εμπορικός αντιπρόσωπος της Nilfisk.

- Βγάζετε πάντα το βύσμα από την πρίζα κατά τον καθαρισμό ή τη συντήρηση και κατά την αντικατάσταση εξαρτημάτων ή την εναλλαγή της συσκευής σε άλλη λειτουργία.
- Τηρείτε τους εθνικούς κανονισμούς ασφαλείας που εκδίδονται, για παράδειγμα, από τον σύνδεσμο ασφάλισων νομικής ευθύνης εργοδοτών, από φορείς κοινωνικής ασφάλισης, από αρχές επαγγελματικής υγείας και ασφάλειας ή άλλους οργανισμούς.



### **Εξαρτήματα και ανταλλακτικά**

- Για την εξασφάλιση της ασφαλούς λειτουργίας της συσκευής, χρησιμοποιείτε μόνο γνήσια ανταλλακτικά της Nilfisk ή εγκεκριμένα από τη Nilfisk.
- Οι ελαστικοί σωλήνες υψηλής πίεσης, τα εξαρτήματα και οι σύνδεσμοι είναι σημαντικοί για την ασφαλή λειτουργία της Συσκευής. Χρησιμοποιείτε μόνο ελαστικούς σωλήνες, εξαρτήματα και συνδέσμους που συνιστώνται από τη Nilfisk.



### **Σωματικές, αισθητηριακές ή διανοητικές προϋποθέσεις**

- Η συσκευή αυτή δεν προορίζεται για χρήση από άτομα (συμπεριλαμβανομένων των παιδιών) με μειωμένη φυσική, αισθητήρια ή νοητική ικανότητα ή με έλλειψη εμπειρίας ή γνώσεων. Εάν το μηχάνημα πρόκειται να χρησιμοποιηθεί από άτομα με μειωμένη φυσική, αισθητήρια ή νοητική ικανότητα, ή άτομα που δεν διαθέτουν την απαραίτητη εμπειρία ή γνώσεις, θα πρέπει να υπάρχει η απαραίτητη επίβλεψη ή να τους έχουν δοθεί οδηγίες σχετικά με την ασφαλή χρήση του μηχανήματος και να κατανοούν τους κινδύνους.



### **Εφαρμογές**

Αυτό το μηχάνημα έχει κατασκευαστεί για οικιακή και επαγγελματική χρήση όπως:

- οικιακή: αυτοκίνητο, μοτοσικλέτα, σκάφος, τροχόσπιτο, τρέιλερ, αυλή/ιδιωτικός δρόμος/έπιπλα, μηχανή του γκαζόν.
- επαγγελματική: καθαρισμός επιφανειών, αυτοκινήτων, φορτηγών, σκαφών, εργαλείων και εξοπλισμού.

EN

DA

NO

SV

FI

DE

FR

NL

IT

ES

PT

EL

TR

CS

HU

PL

EN

DA

NO

SV

FI

DE

FR

NL

IT

ES

PT

EL

TR

CS

HU

PL

Κάθε άλλη χρήση θεωρείται ακατάλληλη. Η Nilfisk δεν αποδέχεται καμία ευθύνη για ζημιές οφειλόμενες σε τέτοιου είδους χρήση. Ο κίνδυνος που συνεπάγεται μια τέτοια χρήση αναλαμβάνεται αποκλειστικά από τον χρήστη. Η σωστή χρήση περιλαμβάνει επίσης τη σωστή λειτουργία, τη συντήρηση και τις εργασίες επισκευής που καθορίζονται στις παρούσες οδηγίες.

### Ρουχισμός και εξοπλισμός

Λαμβάνετε πάντα τα απαραίτητα μέτρα προστασίας κατά τον χειρισμό της συσκευής.

- Φοράτε παπούτσια με αντιολισθητικές σόλες.
- Φοράτε προστατευτικά γυαλιά, ωτασπίδες και προστατευτικά ρούχα κατά τη διάρκεια της λειτουργίας



### Μεταφορά της συσκευής πλύσης υψηλής πίεσης

- Κατά τη μεταφορά της σε όχημα ή μέσω οχήματος, η συσκευή πρέπει να είναι σταθεροποιημένη, π.χ. με ιμάντες, ώστε να μην γλιστρήσει ή αναποδογυρίσει.
- Η Nilfisk προτείνει την οριζόντια τοποθέτηση της συσκευής, με το πίσω μέρος της να ακουμπάει κάτω, κατά τη μεταφορά της σε όχημα ή μέσω οχήματος.



### Απορρυπαντικά

- Η συσκευή αυτή είναι σχεδιασμένη για χρήση με τα καθαριστικά προϊόντα που παρέχονται ή συνιστώνται από τη Nilfisk. Η χρήση άλλων καθαριστικών ή χημικών προϊόντων ενδέχεται να επηρεάσει αρνητικά τη λειτουργία της συσκευής.



### Προτού ξεκινήσετε την εργασία

#### Επιθεώρηση της συσκευής

- Μη χρησιμοποιήσετε τη συσκευή εάν το καλώδιο τροφοδοσίας ή άλλα σημαντικά εξαρτήματα της συσκευής έχουν υποστεί ζημιά, π.χ. η διάταξη ασφαλείας, ο εύκαμπτος σωλήνας υψηλής πίεσης, η λαβή ψεκασμού και τα εξαρτήματα ψεκασμού.
- Η σκανδάλη της λαβής ψεκασμού πρέπει να κινείται ελεύθερα και να επιστρέφει αυτόματα στην αρχική της θέση όταν απελευθερώνεται.

- Διατηρείτε πάντα τον εύκαμπτο σωλήνα υψηλής πίεσης και το εξάρτημα ψεκασμού σε καλή κατάσταση (καθαρά, με ευκολία κίνησης) και σωστά συναρμολογημένα.



## Ηλεκτρικές συνδέσεις

### ΠΡΟΕΙΔΟΠΟΙΗΣΗ!

Ελαχιστοποιήστε τον κίνδυνο ηλεκτροπληξίας:

- Η τάση και η συχνότητα της συσκευής (βλ. πινακίδα τεχνικών χαρακτηριστικών) πρέπει να αντιστοιχούν με την τάση και τη συχνότητα του δικτύου τροφοδοσίας.
- Συνδέετε τη συσκευή μόνο σε ηλεκτρικές εγκαταστάσεις που έχουν τοποθετηθεί από επαγγελματία ηλεκτρολόγο και συμμορφώνονται με το πρότυπο IEC 60364-1.
- Συνιστάται η ηλεκτρική τροφοδοσία στη συσκευή να περιλαμβάνει μία διάταξη προστασίας ρεύματος διαρροής, που θα διακόπτει την τροφοδοσία εάν η διαρροή ρεύματος προς τη γη υπερβεί τα 30 mA για 30 ms.
- Χρησιμοποιήστε τις ασφάλειες εκκίνησης/καθυστέρησης του μοτέρ με το χαρακτηριστικό C ή D σύμφωνα με το πρότυπο IEC/EN 60898-1 / IEC 947-2 ή με αντίστοιχα πρότυπα εκτός IEC.
- Λόγω της υψηλής κατανάλωσης ισχύος του μηχανήματος, απαιτείται κατάλληλη ασφάλεια κεντρικής παροχής.
- Ακατάλληλα καλώδια επέκτασης ενδέχεται να είναι επικίνδυνα. Εάν χρησιμοποιείται καλώδιο επέκτασης, πρέπει να είναι κατάλληλο για εξωτερική χρήση και η σύνδεση να διατηρείται στεγνή και μακριά από το έδαφος.
- Η Nilfisk συνιστά τη χρήση ενός τύμπανου περιτύλιξης καλωδίων όταν απαιτείται καλώδιο επέκτασης, που θα κρατά την υποδοχή τουλάχιστον 60 mm πάνω από το έδαφος.
- Εάν το καλώδιο τροφοδοσίας έχει υποστεί ζημιά, πρέπει να αντικατασταθεί από έναν εξουσιοδοτημένο διανομέα της Nilfisk ή από ένα εξίσου εξειδικευμένο άτομο για αποφυγή κινδύνων.

EN

DA

NO

SV

FI

DE

FR

NL

IT

ES

PT

EL

TR

CS

HU

PL

EN

DA

NO

SV

FI

DE

FR

NL

IT

ES

PT

EL

TR

CS

HU

PL

- Σύνδεση του μηχανήματος πλήσης υψηλής πίεσης σε σύστημα παροχής, η μέγιστη επιτρεπτή αντίσταση είναι = 0,4023Ω (Z<sub>max</sub>). Συμβουλευτείτε τον πάροχο για να βεβαιωθείτε ότι ο εξοπλισμός είναι συνδεδεμένος μόνο σε παροχή τέτοιας αντίστασης ή μικρότερης.



### Σύνδεση νερού

- Αυτό το μηχάνημα καθαρισμού υψηλής πίεσης μπορεί να συνδεθεί με την παροχή πόσιμου νερού, μόνο στις περιπτώσεις που έχει εγκατασταθεί η κατάλληλη βαλβίδα αποτροπής αντίστροφης ροής, τύπου BA σύμφωνα με το πρότυπο EN 60335-2-79.
- Μπορείτε να παραγγείλετε τη βαλβίδα αποτροπής αντίστροφης ροής με τους κωδικούς 106411177.
- Μόλις περάσει το πόσιμο νερό μέσα από τη βαλβίδα αποτροπής αντίστροφης ροής, δεν θεωρείται πλέον πόσιμο.
- Η λειτουργία αναρρόφησης (π.χ. από έναν συλλέκτη όμβριων υδάτων) εκτελείται χωρίς τη βαλβίδα αποτροπής αντίστροφης ροής – βλ. «**Σύνδεση σε παροχή νερού χωρίς πίεση**». Η συσκευή μπορεί να συνδεθεί σε παροχή νερού με μεγ. πίεση εισόδου 1 MPa/10 bars και μεγ. 60°C.

### Μηχανισμοί ασφαλείας

#### Μηχανισμός κλειδώματος στη λαβή ψεκασμού:

- Η λαβή ψεκασμού διαθέτει ένα μηχανισμό κλειδώματος. Όταν έχει ενεργοποιηθεί η κασάνια, η λαβή ψεκασμού δεν μπορεί να χρησιμοποιηθεί.

#### Θερμικός αισθητήρας:

- Αυτόματη επαναφορά  
Ο θερμικός αισθητήρας προστατεύει τον κινητήρα από υπερφόρτωση. Το μηχάνημα θα πραγματοποιήσει επανεκκίνηση μερικά λεπτά αφότου κρυώσει ο θερμικός αισθητήρας.
- Χωρίς αυτόματη επαναφορά (μόνο για το μοντέλο MC2C US)  
Απαιτείται χειροκίνητη λειτουργία για την επαναφορά. Χειροκίνητη λειτουργία σημαίνει αποσύνδεση της συσκευής από την παροχή δικτύου.



## Προσοχή:

Για να αποφευχθεί ο κίνδυνος λόγω ακούσιας επαναφοράς του θερμικού διακόπτη, αυτή η συσκευή δεν πρέπει να τροφοδοτείται από εξωτερική διάταξη μεταγωγής, όπως χρονοδιακόπτη ή να συνδέεται σε κύκλωμα που ενεργοποιείται και απενεργοποιείται συχνά από τον φορέα λειτουργίας.

## Μηχανισμός ασφαλείας πίεσης:

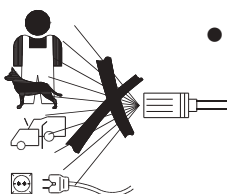
- Μια ενσωματωμένη υδραυλική βαλβίδα ασφαλείας προστατεύει το σύστημα από πιθανή υπερβολική αύξηση της πίεσης.



## Κατά τη διάρκεια της εργασίας

### ΠΡΟΕΙΔΟΠΟΙΗΣΗ!

- Δεν επιτρέπεται ο καθαρισμός με υψηλή πίεση σε επιφάνειες που περιέχουν αμίαντο.
- Κίνδυνος έκρηξης – Μην ψεκάζετε εύφλεκτα υγρά.
- Μην εκτελείτε ποτέ αναρρόφηση σε υγρά που περιέχουν διαλύματα (π.χ., βενζίνη, πετρέλαιο θέρμανσης, αραιωτικό μπιογιάς ή ακετόνη). Αυτές οι ουσίες φθείρουν τα υλικά από τα οποία αποτελείται η συσκευή. Το υλικό ψεκασμού είναι άκρως εύφλεκτο, εκρηκτικό και δηλητηριώδες.
- Μην στρέφετε ποτέ τον πίδακα νερού προς τον εαυτό σας ή προς άλλα άτομα, ακόμη και εάν θέλετε να καθαρίσετε ρούχα ή παπούτσια – **κίνδυνος τραυματισμού.**
- Μην στρέφετε ποτέ τον πίδακα νερού προς κατοικίδια ή άλλα ζώα.
- Μην στρέφετε ποτέ τον πίδακα νερού προς ηλεκτρονικό εξοπλισμό υπό τάση ή προς την ίδια τη συσκευή – **κίνδυνος βραχυκυκλώματος.**
- Στη διάταξη ψεκασμού ασκείται ώθηση έως 27,4 N και ξαφνική ροπή κατά την ενεργοποίηση της σκανδάλης της λαβής ψεκασμού κατά τη διάρκεια της λειτουργίας.
- Δεν πρέπει να χειρίζεστε αυτήν τη συσκευή πλήσης υψηλής πίεσης σε θερμοκρασίες χαμηλότερες των 0°C.



EN

DA

NO

SV

FI

DE

FR

NL

IT

ES

PT

EL

TR

CS

HU

PL

EN

DA

NO

SV

FI

DE

FR

NL

IT

ES

PT

EL

TR

CS

HU

PL

- Μην θέτετε ποτέ σε λειτουργία τη συσκευή όταν είναι παγωμένη. Οι βλάβες που προκαλούνται από παγετό δεν καλύπτονται από την εγγύηση!
- Διασφαλίζετε πάντα σταθερή και ασφαλή στήριξη.
- Η συσκευή πρέπει να βρίσκεται σε όρθια θέση κατά τη διάρκεια της λειτουργίας.
- Αν αφήσετε το μηχάνημα ή δεν το χρησιμοποιείτε για 5 λεπτά, πρέπει να το θέσετε εκτός λειτουργίας μέσω του διακόπτη εκκίνησης/στάσης λειτουργίας



## Μετά την ολοκλήρωση της εργασίας

### ΠΡΟΕΙΔΟΠΟΙΗΣΗ!

- Απενεργοποιείτε πάντα τη συσκευή και αποσυνδέετε το βύσμα από την πρίζα μετά το πέρας της εργασίας και όταν αφήνετε τη συσκευή χωρίς επίβλεψη.
- Αποσυνδέστε τον εύκαμπτο σωλήνα εισόδου του νερού μεταξύ του μηχανήματος και της παροχής νερού.
- Εκκενώνετε πάντα την αντλία, τον εύκαμπτο σωλήνα και τα εξαρτήματα από το νερό μετά από τη χρήση της συσκευής και πριν από την αποθήκευση.



## Συντήρηση και επισκευές

### ΠΡΟΕΙΔΟΠΟΙΗΣΗ!

- Αποσυνδέετε πάντα το βύσμα τροφοδοσίας από την πρίζα πριν από τη συντήρηση, τον καθαρισμό και την επισκευή.
- Όλες οι επισκευές πρέπει να πραγματοποιούνται πάντα από εξουσιοδοτημένο συνεργείο της Nilfisk και με αυθεντικά ανταλλακτικά Nilfisk.
- Μην επιχειρήσετε να πραγματοποιήσετε οποιαδήποτε εργασία συντήρησης που δεν περιγράφεται στις οδηγίες.



- Ανατρέξτε στο διάγραμμα αντιμετώπισης προβλημάτων σε αυτές τις οδηγίες, εάν η συσκευή δεν ενεργοποιείται ή απενεργοποιείται, εάν παρουσιάζει δονήσεις, εάν υπάρχουν αυξομειώσεις στην πίεση, εάν υπάρχει πρόβλημα στον κινητήρα, εάν η ασφάλεια έχει καεί ή εάν δεν εξέρχεται νερό. Σε περίπτωση που παρουσιαστούν άλλα προβλήματα, επικοινωνήστε με τον τοπικό διανομέα Nilfisk.
- Ο καθαρισμός και η συντήρηση από τον χρήστη δεν πρέπει να γίνονται από παιδιά, χωρίς κατάλληλη επίβλεψη.



### **Σωστή απόρριψη του προϊόντος**

Αυτό το σήμα υποδεικνύει ότι το συγκεκριμένο προϊόν δεν θα πρέπει να απορρίπτεται μαζί με άλλα οικιακά απορρίμματα, για όλη την Ε.Ε. Για την αποτροπή πιθανής βλάβης στο περιβάλλον ή την υγεία των ανθρώπων από ανεξέλεγκτη διάθεση αποβλήτων, συστήνεται η υπεύθυνη ανακύκλωση ώστε να είναι εφικτή η βιώσιμη εκ νέου χρήση των υλικών πόρων. Για να επιστρέψετε τη χρησιμοποιημένη συσκευή σας, χρησιμοποιήστε τα συστήματα επιστροφής και συλλογής ή απευθυνθείτε στον έμπορο από τον οποίο αγοράσατε το προϊόν. Μπορεί να αναλάβει το προϊόν για την περιβαλλοντικά ασφαλή ανακύκλωσή του.

EN

DA

NO

SV

FI

DE

FR

NL

IT

ES

PT

**EL**

TR

CS

HU

PL

EN

## 3 Περιγραφή

DA

NO

SV

FI

DE

FR

NL

IT

ES

PT

EL

TR

CS

HU

PL

### 3.1 Εφαρμογή

Αυτό το μηχάνημα πλυσίματος υψηλής πίεσης έχει σχεδιαστεί για ημι-επαγγελματικό τακτικό καθαρισμό:

- *Εργασίες τεχνιτών, καθαρισμός οχημάτων, σκαφών, τροχόσπιτων και άλλες εργασίες καθαρισμού στον τομέα οικοδόμησης και κατασκευής*

Η Ενότητα 6 περιγράφει τη χρήση του μηχανήματος πλύσης υψηλής πίεσης για τις διάφορες εργασίες καθαρισμού.

Χρησιμοποιείτε το μηχάνημα πλύσης υψηλής πίεσης μόνο για τους σκοπούς οι οποίοι περιγράφονται στο παρόν εγχειρίδιο.

Οι προφυλάξεις ασφαλείας πρέπει να τηρούνται ώστε να αποφεύγεται η τυχόν ζημιά του μηχανήματος, της επιφάνειας που καθαρίζεται ή κάποιος σοβαρός τραυματισμός.

### 3.2 Στοιχεία λειτουργίας και εξέταση μοντέλου



Συμβουλευτείτε την απεικόνιση στο τέλος του εγχειριδίου.

- 1 Διακόπτης εκκίνησης / στάσης λειτουργίας
- 2 Είσοδος νερού (Μοντέλα χωρίς καρούλι τυλίγματος)
- 3 Σύνδεση υψηλής πίεσης (μόνο μοντέλα χωρίς καρούλι τυλίγματος)
- 4 Εύκαμπτος σωλήνας υψηλής πίεσης
- 5 Ηλεκτρικό καλώδιο
- 6 Ρύθμιση πίεσης / ποσότητας νερού (δεν περιλαμβάνεται στη βασική έκδοση)
- 7 Ergo 2000 Πιστόλι ψεκασμού με κλείδωμα (7a)
- 8 Ακροφύσιο Flexorpower Plus
- 9 Διάταξη ψεκασμού 4-σε-1 (μοντέλα T και XT)
- 10 Αποσπώμενο δοχείο απορρυπαντικού

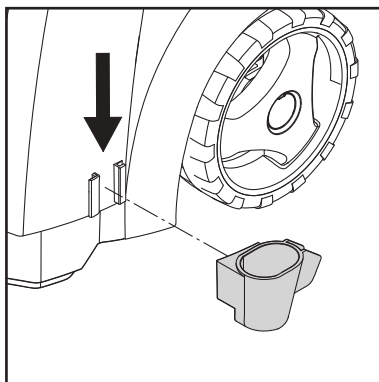
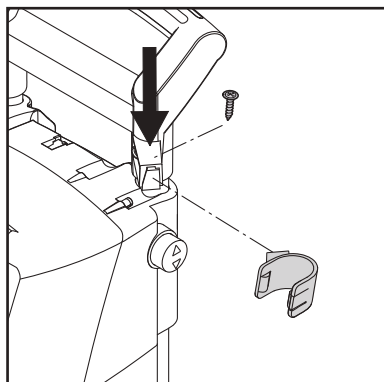
- 11 Εργαλείο καθαρισμού ακροφυσίου
- 12 Έλικτρο για τον εύκαμπτο σωλήνα (προαιρετικό)
- 13 Άγκιστρο για τον εύκαμπτο σωλήνα (Μοντέλα χωρίς καρούλι τυλίγματος)
- 14 Ετικέτα μοντέλου
- 15 Πλήκτρο για τηλεσκοπική λαβή
- 16 Λαβή έλξης μηχανήματος (τηλεσκοπική λαβή)
- 17 Στρεφόμενο άγκιστρο ρυμούλκησης

**Προδιαγραφές:** Δείτε την ετικέτα μοντέλου (14) του μηχανήματος.

Με την επιφύλαξη του δικαιώματος αλλαγής των προδιαγραφών.

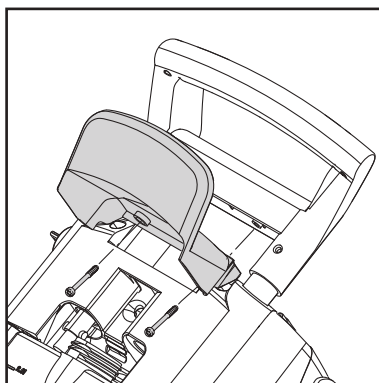
## 4 Πριν αρχίσετε να χρησιμοποιείτε το μηχάνημα πλύσης υψηλής πίεσης

### 4.1 Τοποθέτηση των εξαρτημάτων στήριξης της διάταξης ψεκασμού



Τοποθετήστε τα εξαρτήματα στήριξης της διάταξης ψεκασμού στο μηχάνημα.

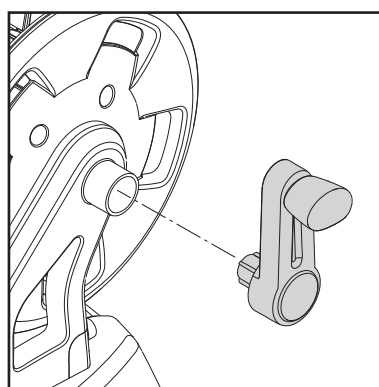
### 4.2 Τοποθέτηση του άγκιστρου του εύκαμπτου σωλήνα (Μοντέλα χωρίς καρούλι τυλίγματος)



Τοποθετήστε το άγκιστρο του εύκαμπτου σωλήνα (13) στο μηχάνημα (2 βίδες)

**Σημείωση:** Το άγκιστρο του εύκαμπτου σωλήνα μπορεί να τοποθετηθεί τόσο στην μπροστινή όσο και στην πίσω πλευρά. Η μπροστινή θέση πρέπει να χρησιμοποιηθεί αν το μηχάνημα χρησιμοποιείται μαζί με ειδικό άγκιστρο τοίχου για την στερέωσή του στον τοίχο.

### 4.3 Τοποθέτηση της λαβής του έλικτρου για τον εύκαμπτο σωλήνα (μοντέλα με έλικτρο για τον εύκαμπτο σωλήνα)



Συνδέστε τη λαβή του έλικτρου πάνω στη λαβή έλξης (χωρίς βίδες).

EN

DA

NO

SV

FI

DE

FR

NL

IT

ES

PT

**EL**

TR

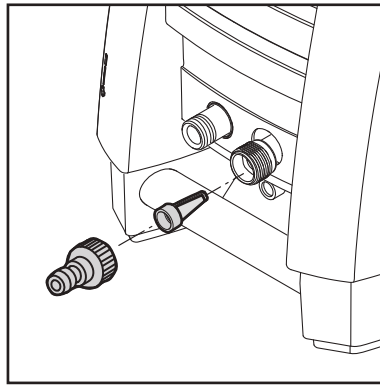
CS

HU

PL

EN

#### 4.4 Τοποθέτηση του ταχυ συνδέσμου



1. Βιδώστε τον ταχυσύνδεσμο σφιχτά πάνω στην είσοδο του νερού (2).

**Σημείωση:** Το φίλτρο εισόδου πρέπει να είναι πάντα τοποθετημένο στο σωλήνα εισόδου νερού για να φιλτράρει τις ακαθαρσίες, καθώς ενδέχεται να προκαλέσουν βλάβη στις βαλβίδες της αντλίας.



**Προσοχή:** Σε περίπτωση που δεν τοποθετήσετε το φίλτρο, ακυρώνεται η ισχύς της εγγύησης.

DA

NO

SV

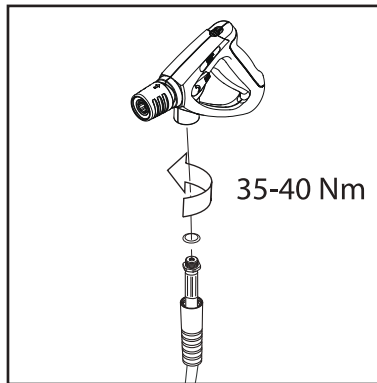
FI

DE

FR

NL

#### 4.5 Συναρμογή του σωλήνα υψηλής πίεσης στο πιστόλι ψεκασμού



1. Τοποθετήστε το σωλήνα υψηλής πίεσης (4) στο πιστόλι ψεκασμού (7).

IT

ES

PT

EL

TR

CS

HU

PL

## 5 Λειτουργία του μηχανήματος πλύσης υψηλής πίεσης

EN

DA

NO

SV

FI

DE

FR

NL

IT

ES

PT

EL

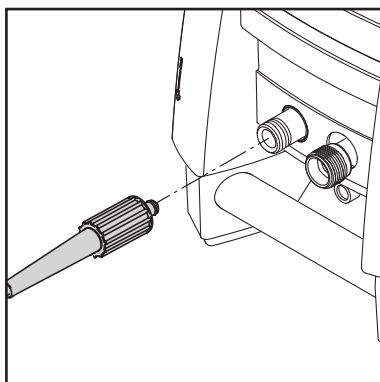
TR

CS

HU

PL

### 5.1 Σύνδεση του εύκαμπτου σωλήνα υψηλής πίεσης

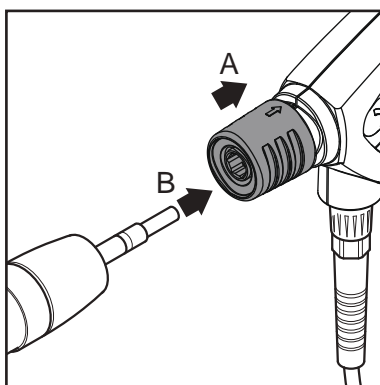


**Μοντέλα χωρίς καρούλι τυλίγματος:** Τοποθετήστε το λάστιχο υψηλής πίεσης (4) στη σύνδεση του λάστιχου υψηλής πίεσης (3).

Να χρησιμοποιείτε μία μόνο προέκταση λάστιχου, μέγ. 7 m.

**Μοντέλα με έλικτρο για τον εύκαμπτο σωλήνα:** Ξετυλίξτε τελείως το λάστιχο υψηλής πίεσης.

### 5.2 Τοποθέτηση του βραχίονα ψεκασμού



1. Τραβήξτε τη μπλε λαβή ταχείας αποδέσμευσης (A) του πιστολέτου ψεκασμού προς τα πίσω.
2. Εισάγετε το ρύγχος της διάταξης ψεκασμού (B) στη σύνδεση ταχείας αποδέσμευσης και απελευθερώστε το.
3. Πιέστε τη διάταξη ψεκασμού (ή όποιο άλλο εξάρτημα) προς τα εμπρός για να ελέγξετε εάν είναι καλά συνδεδεμένη με το πιστολέτο ψεκασμού.



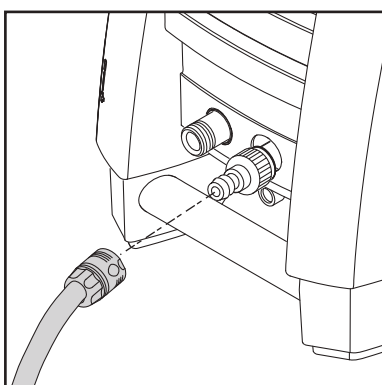
#### ΥΠΟΔΕΙΞΗ!

Να καθαρίζετε πάντα το ενωτικό από ενδεχόμενα μόρια ακαθαρσιών, πριν ενωθεί ο σωλήνας ψεκασμού με το πιστολέτο ψεκασμού.

### 5.3 Σύνδεση νερού



Ένας συνηθισμένος λαστιχένιος σωλήνας κήπου 1/2" μήκους από 10 m έως 25 m είναι κατάλληλος. **ΣΗΜΕΙΩΣΗ:** Σύνδεση στο δημόσιο κεντρικό δίκτυο σύμφωνα με τους κανονισμούς.



**ΣΗΜΑΝΤΙΚΟ!** Χρησιμοποιείτε μόνο νερό που δεν περιέχει προσμίξεις. Αν

υπάρχει κίνδυνος ροής άμμου στο νερό εισόδου (π.χ. από δικό σας πηγάδι), θα πρέπει να τοποθετήσετε στο μηχανήμα πρόσθετο φίλτρο.

1. Αφήστε το νερό να ρέει μέσα από τον εύκαμπτο σωλήνα νερού, πριν τον συνδέσετε στο μηχανήμα, για να αποτρέψετε τυχόν διείσδυση άμμου και ακαθαρσιών στο μηχανήμα.



**Σημείωση:**

Ελέγξτε αν το φίλτρο είναι τοποθετημένο στο σωλήνα

EN

DA

NO

SV

FI

DE

FR

NL

IT

ES

PT

EL

TR

CS

HU

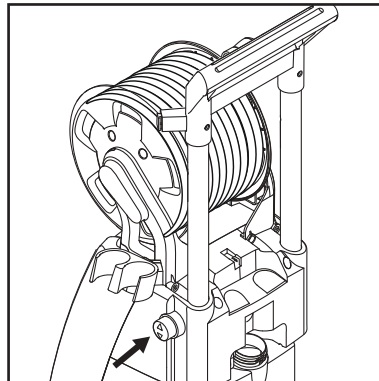
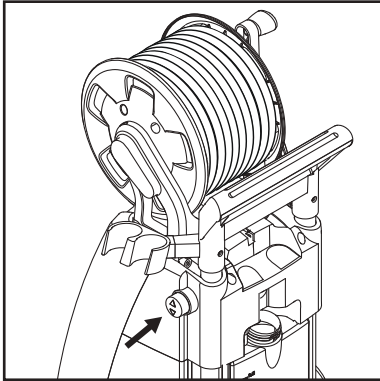
PL

εισόδου νερού και και βεβαιωθείτε ότι δεν είναι φραγμένο.

2. Συνδέστε τον εύκαμπτο σωλήνα νερού στην παροχή του νερού με τη βοήθεια του

- ταχυσυνδέσμου (είσοδος νερού, μέγιστη πίεση: 10 bar, μέγιστη θερμοκρασία: 60°C).
3. Ανοίξτε τη ροή του νερού.

#### 5.4 Τηλεσκοπική λαβή



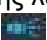
Το μηχάνημα περιλαμβάνει μία τηλεσκοπική λαβή. Για να ανυψώσετε ή να χαμηλώσετε τη λαβή, πιέστε το μπουτόν και μετακινήστε τη λαβή προς τα πάνω ή προς τα κάτω. Όταν ακούσετε ένα κλικ, η λαβή βρίσκεται στη σωστή θέση.

#### 5.5 Ξεκινήστε και σταματήστε τη λειτουργία του μηχανήματος (όταν έχει συνδεθεί σε μια παροχή νερού)



Στο βραχίονα ψεκασμού ακείται μια ώθηση κατά τη διάρκεια της λειτουργίας – για το λόγο αυτό πρέπει πάντα να τον κρατάτε σταθερά με τα δύο χέρια.

**ΣΗΜΑΝΤΙΚΟ: Το ακροφύσιο πρέπει να είναι στραμμένο προς το έδαφος.**

1. Βεβαιωθείτε ότι η συσκευή είναι στην κατακόρυφη θέση.  
**ΣΗΜΕΙΩΣΗ:** Μην τοποθετείται το μηχάνημα σε γρασίδι μεγάλου ύψους!
2. Αποδεσμεύστε την ασφάλιση της σκανδάλης.
3. Ενεργοποιήστε τη σκανδάλη της λαβής ψεκασμού και αφήστε το νερό να τρέξει, έως ότου αφαιρεθεί όλος ο αέρας από τον εύκαμπτο σωλήνα υψηλής πίεσης..
4. Γυρίστε τον διακόπτη εκκίνησης/στάσης λειτουργίας (1) στη θέση .
5. Ενεργοποιήστε την σκανδάλη του πιστολιού ψεκασμού.

Ρυθμίζετε πάντα την απόσταση και επομένως την πίεση του ακροφυσίου προς την επιφάνεια, η οποία πρόκειται να καθαριστεί.

Μην καλύπτετε το μηχάνημα στη διάρκεια λειτουργία.



#### Σημείωση:

Αν αφήσετε το μηχάνημα ή δεν το χρησιμοποιείτε για 5 λεπτά, πρέπει να το θέσετε εκτός λειτουργίας μέσω του διακόπτη εκκίνησης/στάσης λειτουργίας «O» (1):

1. Γυρίστε τον διακόπτη εκκίνησης/στάσης λειτουργίας (1) στη θέση «O».
2. Βγάλτε το βύσμα από την πρίζα.
3. Κλείστε την παροχή του νερού και ενεργοποιήστε την σκανδάλη για να εκτονώσετε την πίεση του μηχανήματος.
4. Τοποθετήστε τη λαβή ψεκασμού και, έπειτα, το σωλήνα ψεκασμού.

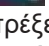

Όταν αποδεσμεύετε την σκανδάλη του πιστολιού ψεκασμού, το μηχάνημα σταματά αυτόματα. Το μηχάνημα θα ξεκινήσει πάλι, όταν ενεργοποιήσετε ξανά το πιστόλι ψεκασμού.

## 5.6 Ξεκινήστε τη λειτουργία του μηχανήματος (όταν συνδέεται σε ανοικτά δοχεία (κατάσταση λειτουργίας αναρρόφησης))

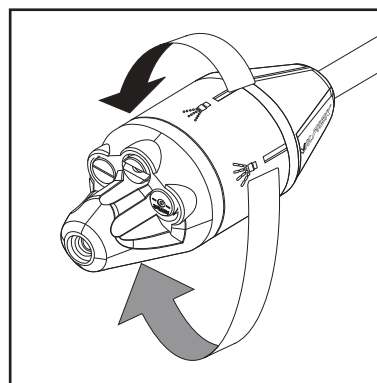
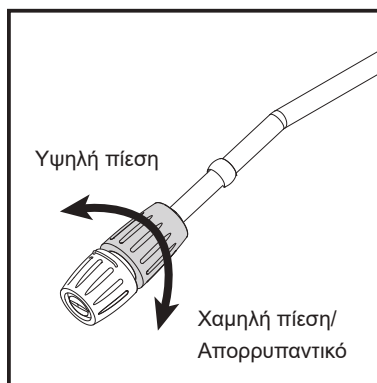
Το μηχάνημα πλύσης μπορεί να λαμβάνει νερό από μια δεξαμενή βρόχινου νερού, για παράδειγμα. Ο εύκαμπτος σωλήνας για την παροχή του νερού δεν πρέπει να είναι πολύ μακρύς, περίπου 5 m. Βεβαιωθείτε ότι η δεξαμενή νερού δεν είναι τοποθετημένη σε επίπεδο χαμηλότερο από το μηχάνημα. Χρησιμοποιήστε ένα εξωτερικό φίλτρο αν το νερό περιέχει ακαθαρσίες.

1. Βεβαιωθείτε ότι ο εύκαμπτος σωλήνας νερού έχει πληρωθεί με νερό πριν τον τοποθετήσετε στο μηχάνημα. Τοποθετήστε όλο τον εύκαμπτο σωλήνα μέσα σε μια δεξαμενή ή έναν κουβά. Για να αποφύγετε τυχόν διαρροή νερού, γυρίστε προς τα κάτω τον εύκαμπτο σωλήνα εισόδου νερού και,

στη συνέχεια, συνδέστε το σωλήνα στο μηχάνημα χρησιμοποιώντας το σύνδεσμο. Στη συνέχεια, αφαιρέστε τον εύκαμπτο σωλήνα εισόδου νερού.

2. Αφαιρέστε τη λαβή, τη διάταξη και το ακροφύσιο ψεκασμού.
3. Γυρίστε το διακόπτη έναρξης/ διακοπής στη θέση  και αφήστε το νερό να τρέξει έως ότου εξέλθει αέρας από τον εύκαμπτο σωλήνα και την αντλία νερού.
4. Γυρίστε τον διακόπτη εκκίνησης/στάσης λειτουργίας (1) στη θέση «O».
5. Τοποθετήστε πάλι τη λαβή, τη διάταξη και το ακροφύσιο ψεκασμού.
6. Γυρίστε τον διακόπτη εκκίνησης/στάσης λειτουργίας (1) στη θέση .
7. Ενεργοποιήστε την σκανδάλη του πιστολιού ψεκασμού.

## 5.7 Ρύθμιση πίεσης



### Ακροφύσιο Flexorpower Plus

Η πίεση μπορεί να ρυθμιστεί στο ακροφύσιο Flexorpower Plus.

### Μοντέλα T και XT:

Διάταξη ψεκασμού 4-σε-1  
Η πίεση μπορεί να ρυθμιστεί στη διάταξη ψεκασμού 4-σε-1.

EN

DA

NO

SV

FI

DE

FR

NL

IT

ES

PT

EL

TR

CS

HU

PL

EN

DA

NO

SV

FI

DE

FR

NL

IT

ES

PT

EL

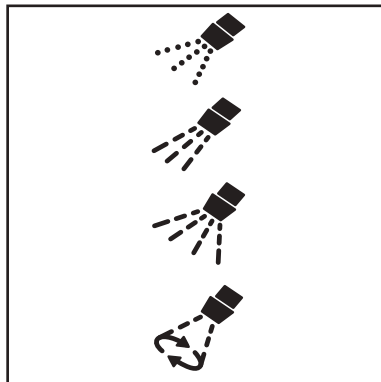
TR

CS

HU

PL

### 5.8 Λειτουργία με απορρυπαντικά

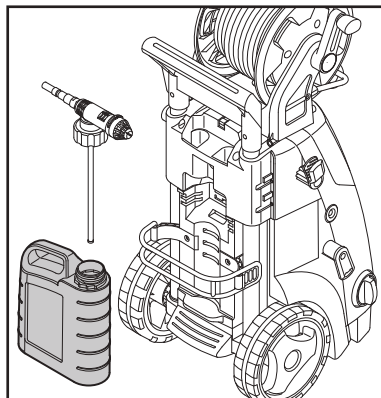


Χαμηλή πίεση / Απορρυπαντικό

Tornado / υψηλή πίεση

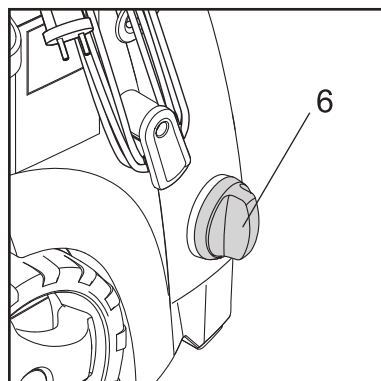
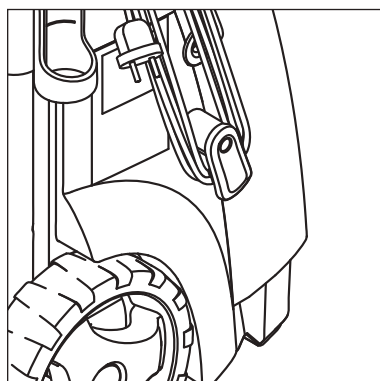
Ευρεία γωνία / υψηλή πίεση

Turbohammer / υψηλή πίεση



1. Γεμίστε το δοχείο με απορρυπαντικό.
2. Εφαρμόστε το απορρυπαντικό από κάτω προς τα επάνω.
5. Αφήστε το απορρυπαντικό να δράσει για το χρονικό διάστημα που αναφέρεται στη συσκευασία του απορρυπαντικού και ξεπλύνετε με καθαρό νερό ή χρησιμοποιήστε βούρτσα.

### 5.9 Ρύθμιση της πίεσης / ποσότητας νερού (μόνο μοντέλα με κουμπί για τη ρύθμιση της πίεσης και του όγκου νερού)



Η πίεση λειτουργίας και η ποσότητα του νερού μπορούν να ρυθμιστούν στη συσκευή στρέφοντας το μπουτόν ρύθμισης της πίεσης / ποσότητας νερού (6).



# 6 Πεδία εφαρμογής και μέθοδοι λειτουργίας

EN

DA

NO

SV

FI

DE

FR

NL

IT

ES

PT

**EL**

TR

CS

HU

PL

## 6.1 Γενικά

Αποτελεσματικός καθαρισμός υψηλής πίεσης επιτυγχάνεται αν ακολουθούνται ορισμένες οδηγίες, σε συνδυασμό με τη δική σας προσωπική εμπειρία σε ειδικές εργασίες καθαρισμού. Τα εξαρτήματα και τα απορρυπαντικά, όταν επιλέγονται σωστά, μπορούν να αυξήσουν την απόδοση του μηχανήματος πλύσης. Παρακάτω δίνονται ορισμένες βασικές πληροφορίες για τον καθαρισμό.

### 6.1.1 Απορρυπαντικό και αφρός

Αφρός ή απορρυπαντικό θα πρέπει να εφαρμόζονται πάνω σε στεγνές επιφάνειες, έτσι ώστε η χημική ουσία να έρχεται σε άμεση επαφή με την ακαθαρσία. Τα απορρυπαντικά εφαρμόζονται από κάτω προς τα πάνω, για παράδειγμα πάνω στο αμάξωμα ενός αυτοκινήτου, προκειμένου να αποφευχθεί ο σχηματισμός «υπερκαθαρών» περιοχών όπου το απορρυπαντικό συσσωρεύεται σε μεγαλύτερη συγκέντρωση και ρέει προς τα κάτω. Αφήστε το απορρυπαντικό να δράσει για μερικά λεπτά πριν ξεπλύνετε, αλλά μην αφήσετε ποτέ να στεγνώσει πάνω στην επιφάνεια που καθαρίζετε. **Σημείωση:** Είναι σημαντικό το απορρυπαντικό να μην στεγνώσει. Διαφορετικά η επιφάνεια που καθαρίζεται μπορεί να καταστραφεί.

### 6.1.2 Μηχανική δράση

Προκειμένου να διασπάσετε σκληρές στρώσεις ακαθαρσίας, μπορεί να χρειαστεί πρόσθετη μηχανική δράση. Οι ειδικές βούρτσες πλυσίματος προσφέρουν αυτό το επιπρόσθετο αποτέλεσμα απομακρύνοντας τη σκληρή βρωμιά, την καπνιά, κ.λπ.

EN

DA

NO

SV

FI

DE

FR

NL

IT

ES

PT

EL

TR

CS

HU

PL

## 7 Μετά την χρησιμοποίηση του μηχανήματος πλύσης υψηλής πίεσης

### 7.1 Φύλαξη του μηχανήματος πλύσης

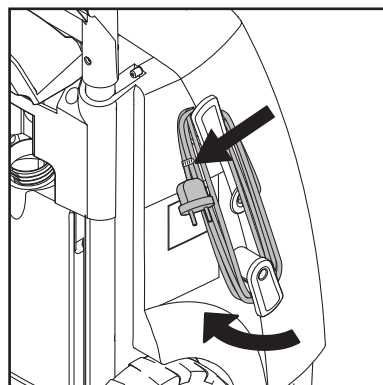
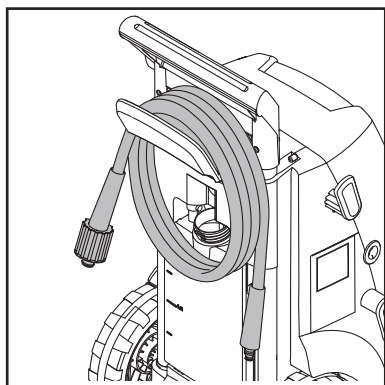


Η συσκευή θα πρέπει να φυλάσσεται σε χώρο που δεν πιάνει πάγο!

Η αντλία, ο σωλήνας και τα εξαρτήματα θα πρέπει πάντα να αδειάζουν από νερό πριν από την αποθήκευση ως ακολούθως:

1. Σταματήστε τη συσκευή (περιστροφικός διακόπτης (1) στη θέση «O») και απομακρύνετε το λάστιχο νερού και το εξάρτημα.
2. Θέστε σε λειτουργία τη συσκευή και πάλι, και ενεργοποιήστε τη σκανδάλη. Αφήστε τη συσκευή σε λειτουργία μέχρι να σταματήσει να τρέχει νερό από τον ψεκαστήρα.
3. Σταματήστε τη συσκευή και βγάλτε τη συσκευή από την πρίζα. Τυλίξτε το καλώδιο ρεύματος γύρω από τους γάντζους που υπάρχουν στα πλευρά της συσκευής.
4. Αποσπάστε τη λαβή ψεκασμού από το σωλήνα ψεκασμού.

### 7.2 Τύλιγμα του ηλεκτρικού καλωδίου και του εύκαμπτου σωλήνα υψηλής πίεσης



Για να αποφευχθούν τυχόν ατυχήματα, το ηλεκτρικό καλώδιο και ο εύκαμπτος σωλήνας υψηλής πίεσης θα πρέπει πάντα να τυλίγονται προσεκτικά.

5. **Μοντέλα χωρίς καρούλι τυλίγματος:** Αποσυνδέστε το λάστιχο υψηλής πίεσης, τυλίξτε το και τοποθετήστε το στη θήκη του λάστιχου.  
**Μοντέλα με έλικτρο για τον εύκαμπτο σωλήνα:**

Τυλίξτε το λάστιχο υψηλής πίεσης επάνω στον τυλικτήρα του λάστιχου.

6. Τοποθετήστε τον ψεκαστήρα, τα ακροφύσια και τα άλλα εξαρτήματα στις υποδοχές της συσκευής.

Σε περίπτωση που το μηχάνημα παγώσει, αφήστε το να ξεπαγώσει και ελέγξτε για τυχόν φθορές.

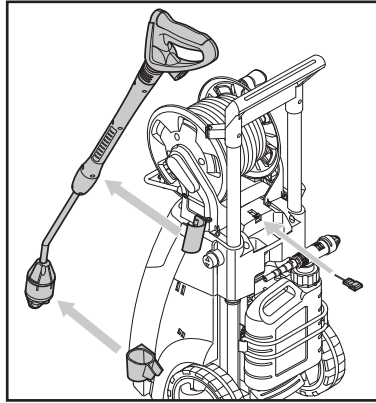
**ΠΟΤΕ ΜΗ ΘΕΤΕΤΕ ΣΕ ΛΕΙΤΟΥΡΓΙΑ ΜΙΑ ΣΥΣΚΕΥΗ ΠΟΥ ΕΧΕΙ ΠΑΓΩΣΕΙ.**

**Οι βλάβες λόγω παγετού δεν καλύπτονται από την εγγύηση!**

1. Τυλίξτε το ηλεκτρικό καλώδιο στις κατάλληλες υποδοχές. Ενσωματωμένο κλιπάκι για εύκολη στήριξη. Μπορείτε να γυρίσετε το κάτω άγκιστρο για απελευθέρωση του ηλεκτρικού καλωδίου.

2. Το μηχάνημα πλύσης υψηλής πίεσης εκδίδεται σε δύο μοντέλα: Α) με άγκιστρο για τη φύλαξη του εύκαμπτου σωλήνα υψηλής πίεσης (13) – Β) με έλικτρο για τον εύκαμπτο σωλήνα (12).

### 7.3 Φύλαξη των εξαρτημάτων



Τα τυπικά εξαρτήματα (πιστόλι ψεκασμού, βραχίονας ψεκασμού (A), Το εργαλείο καθαρισμού ακροφυσίου) μπορούν να φυλαχθούν στο μηχάνημα πλύσης υψηλής πίεσης.

EN

DA

NO

SV

FI

DE

FR

NL

IT

ES

PT

EL

TR

CS

HU

PL

## 8 Συντήρηση



**ΠΡΟΕΙΔΟΠΟΙΗΣΗ!** Αποσυνδέετε πάντα το βύσμα του ρεύματος από την πρίζα, πριν από τις εργασίες συντήρησης ή καθαρισμού.

Για να εξασφαλίσετε μια μεγάλη και χωρίς προβλήματα διάρκεια ζωής του μηχανήματος, ακολουθήστε τις παρακάτω συμβουλές:

- Ξεπλένετε τον εύκαμπτο σωλήνα νερού, τον εύκαμπτο σωλήνα υψηλής πίεσης, το

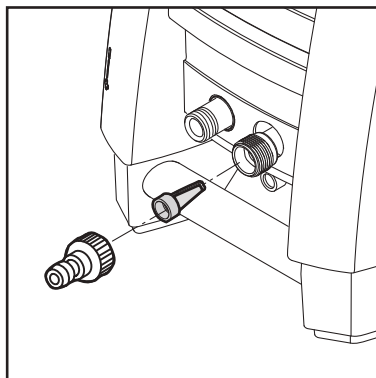
βραχίονα ψεκασμού και τα εξαρτήματα, πριν από την τοποθέτησή τους.

- Καθαρίζετε τους συνδέσμους από σκόνη και άμμο.
- Καθαρίστε τα ακροφύσια.

Οποιαδήποτε εργασία επισκευής θα πρέπει να γίνεται πάντα σε εξουσιοδοτημένο συνεργείο, με αυθεντικά ανταλλακτικά.

### 8.1 Καθαρισμός του φίλτρου εισόδου του νερού

Καθαρίζετε το φίλτρο εισόδου νερού ανά τακτά χρονικά διαστήματα, μία φορά το μήνα ή πιο συχνά, ανάλογα με τη



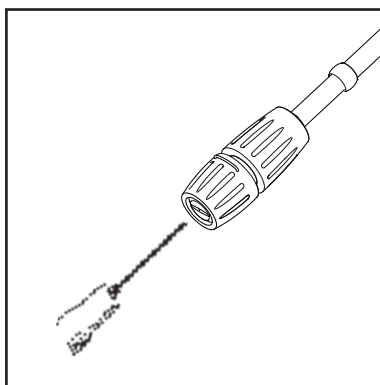
χρήση. Λύστε προσεκτικά το φίλτρο με μία πένσα και καθαρίστε το. Βεβαιωθείτε ότι δεν υποστεί καμία αλλοίωση, πριν το τοποθετήσετε ξανά.

Το φίλτρο εισόδου πρέπει να είναι πάντα τοποθετημένο στο εσωτερικό του σωλήνα εισόδου νερού για να φιλτράρει τις ακαθαρσίες, καθώς ενδέχεται να προκαλέσουν βλάβη στις βαλβίδες της αντλίας.

**ΠΡΟΣΟΧΗ:** Σε περίπτωση που δεν τοποθετήσετε το φίλτρο, ακυρώνεται η ισχύς της εγγύησης.

EN

## 8.2 Καθαρισμός του ακροφυσίου



Σε περίπτωση φραγής του ακροφυσίου, θα δημιουργηθεί πολύ μεγάλη πίεση στην αντλία. Για το λόγο αυτό απαιτείται ο άμεσος καθαρισμός του.

1. Σταματήστε τη λειτουργία του μηχανήματος και αποσυνδέστε το ακροφύσιο.

2. Καθαρίστε το ακροφύσιο. **ΣΗΜΑΝΤΙΚΟ:** Το εργαλείο καθαρισμού (11) θα πρέπει να χρησιμοποιείται μόνο όταν το ακροφύσιο έχει αφαιρεθεί!

3. Ξεπλύνετε το ακροφύσιο με αντίθετη ροή νερού.

DA

NO

SV

FI

DE

FR

## 8.3 Καθαρισμός των οπών αερισμού του μηχανήματος vents

Το μηχάνημα θα πρέπει να διατηρείται καθαρό έτσι ώστε να επιτρέπεται η ελεύθερη διόδος αέρα ψύξης μέσα από τις οπές αερισμού

NL

IT

## 8.4 Λίπανση των συνδέσμων

Για να εξασφαλιστεί η εύκολη σύνδεση και ότι τα o-rings δεν θα στεγνώσουν, οι σύνδεσμοι θα πρέπει να λιπαίνονται σε τακτά χρονικά διαστήματα.

ES

PT

EL

TR

CS

HU

PL

## 9 Ανίχνευση Βλαβών

Για την αποφυγή περιπτώσεων απογοητεύσεων, θα πρέπει να ελέγχετε τα ακόλουθα, πριν επικοινωνήσετε με το κέντρο εξυπηρέτησης της Nilfisk:

Πρόβλημα	Αιτία	Συνιστώμενη ενέργεια
<b>Το μηχάνημα δεν τίθεται σε λειτουργία</b>	Το μηχάνημα δεν είναι συνδεδεμένο στην πρίζα Ελαττωματική πρίζα. Η ασφάλεια έχει καεί  Ελαττωματικό καλώδιο επέκτασης	Συνδέστε το μηχάνημα στην πρίζα.  Δοκιμάστε μια άλλη πρίζα. Αλλάξτε ασφάλεια. Θέστε εκτός λειτουργίας άλλα μηχανήματα. Δοκιμάστε χωρίς το καλώδιο επέκτασης.
<b>Διακυμάνσεις στην πίεση</b>	Άντληση αέρα αναρρόφησης  Βαλβίδες βρώμικες, φθαρμένες  Φθαρμένες στεγανοποιήσεις αντλίας	Βεβαιωθείτε ότι οι εύκαμπτοι σωλήνες και οι συνδέσεις είναι αεροστεγείς. Καθαρίστε και αντικαταστήστε ή απευθυνθείτε στον τοπικό αντιπρόσωπο Nilfisk ή κολλημένες Nilfisk. Καθαρίστε και αντικαταστήστε ή απευθυνθείτε στον τοπικό αντιπρόσωπο Nilfisk.
<b>Ασταθής λειτουργία του μοτέρ</b>	Χαμηλή τάση ή χαμηλή θερμοκρασία	Ενεργοποιήστε την σκανδάλη του πιστολιού ψεκασμού.
<b>Η λειτουργία του μηχανήματος σταματά</b>	Η ασφάλεια έχει καεί  Λανθασμένη τάση κεντρικής παροχής  Αισθητήρας θερμότητας ενεργοποιημένος Μερικώς φραγμένο ακροφύσιο	Αλλάξτε ασφάλεια. Θέστε εκτός λειτουργίας άλλα μηχανήματα. Βεβαιωθείτε ότι η τάση της κεντρικής παροχής αντιστοιχεί στις προδιαγραφές που αναγράφονται στην ετικέτα μοντέλου. Αφήστε το μηχάνημα να κρυώσει για πέντε λεπτά. Καθαρίστε το ακροφύσιο (δείτε ενότητα 7.2).
<b>Η ασφάλεια καίγεται</b>	Πολύ μικρή ασφάλεια	Χρησιμοποιήστε εγκατάσταση με μεγαλύτερη κατανάλωση ρεύματος από αυτή του μηχανήματος. Μπορείτε να δοκιμάστε χωρίς το καλώδιο επέκτασης.
<b>Λειτουργία μηχανήματος με διακυμάνσεις</b>	Αέρας στον εύκαμπο σωλήνα εισόδου ή στην αντλία  Ανεπαρκής παροχή του κεντρικού δικτύου νερού  Μερικώς φραγμένο ακροφύσιο Φραγμένο φίλτρο νερού Εύκαμπτος σωλήνας συνεστραμμένος	Αφήστε το μηχάνημα να λειτουργήσει με ανοικτή σκανδάλη μέχρι να ανακτηθεί η κανονική πίεση λειτουργίας. Βεβαιωθείτε ότι η παροχή νερού αντιστοιχεί στις προδιαγραφές (δείτε την ετικέτα μοντέλου) <b>NB!</b> Αποφύγετε τη χρήση λεπτών εύκαμπτων σωλήνων, μεγάλου μήκους (ελάχ. 1/2"). Καθαρίστε το ακροφύσιο (δείτε ενότητα 7.2). Καθαρίστε το φίλτρο (δείτε ενότητα 7.1). Ισιώστε τον εύκαμπο σωλήνα.
<b>Το μηχάνημα συχνά ξεκινά και σταματά μόνο του</b>	Ψεκάστε λαβή διαρροή	Επικοινωνήστε με το πλησιέστερο Γραφείο Εξυπηρέτησης της Nilfisk. Αντικαταστήστε κάθισμα / μπάλα / δακτύλιο στη βαλβίδα της λαβής ψεκασμού.
<b>Το μηχάνημα ξεκινά, αλλά δεν εξέρχεται νερό</b>	Η αντλία ή οι εύκαμπτοι σωλήνες ή το εξάρτημα έχουν παγώσει Δεν υπάρχει παροχή νερού Φραγμένο φίλτρο νερού Ακροφύσιο φραγμένο	Περιμένετε μέχρι η αντλία / οι εύκαμπτοι σωλήνες ή το εξάρτημα να ξεπαγωσουν.  Συνδέστε το νερό εισόδου. Καθαρίστε το φίλτρο (δείτε ενότητα 7.1). Καθαρίστε το ακροφύσιο (δείτε ενότητα 7.2).
<b>Η πίεση της αντλίας πέφτει</b>	Το μπουτόν ρύθμισης της νερού δεν έχει ρυθμιστεί σωστά	Ρυθμίστε το μπουτόν στη σωστή πίεση πίεσης / παροχής νερού.

Σε περίπτωση που αντιμετωπίσετε προβλήματα διαφορετικά από τα παραπάνω, θα πρέπει να επικοινωνήσετε με τον τοπικό αντιπρόσωπο της Nilfisk.

EN

DA

NO

SV

FI

DE

FR

NL

IT

ES

PT

EL

TR

CS

HU

PL

EN

# 10 Περισσότερες πληροφορίες

DA

## 10.1 Συνθήκες εγγύησης

Σε περίπτωση ανάγκης για σέρβις και συντήρηση, επικοινωνήστε με τον τοπικό σας διανομέα.

NO

SV

FI

DE

# 11 Κύρια Τεχνικά Χαρακτηριστικά

FR

NL

IT

ES

PT

EL

TR

CS

HU

PL

Τύπος		MC2C-60/520 XT US-CAN	MC2C-80/520 T	MC2C-120/520 T	MC2C-120/520 XT	MC2C-140/610 XT	MC2C-140/610 P	MC2C-150/650	MC2C-140/650 (EXPT)	MC2C-150/650 XT
Πίεση λειτουργίας	bar/MPa	60/6,0	80/8,0	120/12	120/12	140/14	140/14	150/15	140/14	150/15
Δυναμική καθαρισμού	kg / δύναμης	2	2	2,2	2,2	2,5	2,5	2,9	2,9	2,9
Παροχή νερού, χαμηλή πίεση	Qmax/ QIEC l/min	2,3/2,2 gallon	8,7/8,2	8,7/7,8	8,7/7,8	10,2/9,0	10,2/9,0	10,8/9,5	10,8/9,5	10,8/9,5
Τάση/φάση/ συχνότητα/ρεύμα	V/-/ Hz/A	120/1/ 60/15	115-127/1/ 60/15	230/1/ 50/10	230/1/ 50/10	230/1/ 50/12,6	230/1/ 50/12,6	230/1/ 50/14,5	220/1/ 60/14,5	230/1/ 50/14,5
Μέγιστη θερμοκρασία νερού	°C	60	60	60	60	60	60	60	60	60
Καλώδιο	m	10	5	5	5	5	5	5	5	5
Αντλία	Rev./min	3400	3400	2800	2800	2800	2800	2800	3400	2800
Μέγεθος ακροφυσίου	1/8"	0,475	0,475	0,340	0,340	0,340	0,370	0,340	0,350	0,340
Επίπεδο ηχητικής πίεσεως LpA	dB(A)	72 ±2	72 ±2	72 ±2	72 ±2	72 ±2	72 ±2	72 ±2	72 ±2	72 ±2
Επίπεδο ηχητικής ισχύος LwA	dB(A)	89	86	86	86	86	86	88	88	88
Δόνηση (ISO 5349)	m/s <sup>2</sup>	< 2,5	< 2,5	< 2,5	< 2,5	< 2,5	< 2,5	< 2,5	< 2,5	< 2,5
Βάρος	kg	28,6	27,3	27,3	28,1	28,1	28,1	26,3	26,3	28,1

# 12 Δήλωση

Εμείς,

η Nilfisk A/S  
Marmorvej 8  
2100 Copenhagen Ø  
ΔΑΝΙΑ

Δια του παρόντος δηλώνουμε με αποκλειστική μας ευθύνη ότι τα

Προϊόντα: HPW – Professional – Mobile – EI – CW  
Περιγραφή: 230 V, 50 Hz, IPX5  
Τύπος: MC2C-120/520 T, -120/520 XT, -140/610 XT, -150/650 XT, -140/650 EXPT

Συμμορφώνονται με τα ακόλουθα πρότυπα:

EN 60335-1:2012+A11:2014+A13:2017+A1:2019+A14:2019+A2:2019+A15:2021+A16:2023  
EN 60335-2-79:2012  
EN 55014-1:2021  
EN 55014-2:2021  
EN 61000-3-2:2019+A1:2021  
EN 61000-3-11:2019  
EN 63000:2018

Τις ακόλουθες νομοθεσίες εναρμόνισης της Ένωσης:

2006/42/EK  
2014/30/EE  
2011/65/EE  
2000/14/EK – Διαδικασία αξιολόγησης της συμμόρφωσης σύμφωνα με το παράρτημα V.  
– Μετρημένη στάθμη ηχητικής ισχύος: 86-88 dB(A); Εγγυημένη στάθμη ηχητικής ισχύος: 89-91 dB(A)

Broendby, 2024-01-02

*Weiwei (Warner) Guo*

Warner Guo, VP R&D, Head of Competence Center APAC • R&D

EN

DA

NO

SV

FI

DE

FR

NL

IT

ES

PT

**EL**

TR

CS

HU

PL

EN

DA

NO

SV

FI

DE

FR

NL

IT

ES

PT

EL

TR

CS

HU

PL

## Dizin

<b>1</b>	<b>Giriş</b> .....	<b>257</b>
	1.1 Yönergeleri belirtmek için kullanılan simgeler.....	257
<b>2</b>	<b>Güvenlik önlemleri ve çalışma teknikleri</b> .....	<b>257</b>
<b>3</b>	<b>Tanım</b> .....	<b>264</b>
	3.1 Uygulama.....	264
	3.2 Kullanım için gereken bileşenler ve modelin incelenmesi.....	264
<b>4</b>	<b>Basıncılı yıkama makinenizi kullanmaya başlamadan önce</b> .....	<b>265</b>
	4.1 Püskürtme borusu tutucuların takılması .....	265
	4.2 Hortum kancasının takılması (yalnızca hortum makarası içermeyen modeller) .....	265
	4.3 Hortum makarası kolunun takılması (hortum makarası olan modeller için geçerli).....	265
	4.4 Hızlı bağlantı elemanının takılması .....	266
	4.5 Sprey tabancasına yüksek basınç hortumunun takılması .....	266
<b>5</b>	<b>Basıncılı yıkama makinesinin kullanılması</b> .....	<b>266</b>
	5.1 Yüksek basınç hortumunun bağlanması.....	266
	5.2 Püskürtme borusunun püskürtme tabancasına bağlanması.....	267
	5.3 Su bağlantısı.....	267
	5.4 Teleskopik tutamak .....	267
	5.5 Makinenin çalıştırılması ve durdurulması (su kaynağına bağlı olduğunda) ...	268
	5.6 Makineyi çalıştırın (açık kaplara bağlı olduğunda (emmeli model)).....	268
	5.7 Basınç ayarı.....	269
	5.8 Deterjanlı kullanım.....	269
	5.9 Basınç / su hacmi ayarı (yalnızca basınç ve su hacmi ayarlama düğmeli modeller) .....	270
<b>6</b>	<b>Uygulama alanları ve çalışma yön temleri</b> .....	<b>270</b>
	6.1 Genel .....	270
<b>7</b>	<b>Basıncılı yıkama makinesini kullandıktan sonra</b> .....	<b>271</b>
	7.1 Yıkama makinesinin depolanması .....	271
	7.2 Elektrik kablosunun ve yüksek basınç hortumunun sarılması .....	271
	7.3 Aksesuarların depolanması .....	272
<b>8</b>	<b>Bakım</b> .....	<b>272</b>
	8.1 Su giriş filtresinin temizlenmesi.....	272
	8.2 Memenin temizlenmesi.....	273
	8.3 Makinenin havalandırma deliklerinin temizlenmesi.....	273
	8.4 Bağlantı parçalarına gres sürülmesi .....	273
<b>9</b>	<b>Arıza giderme</b> .....	<b>274</b>
<b>10</b>	<b>Diğer bilgiler</b> .....	<b>275</b>
	10.1 Garanti şartları .....	275
<b>11</b>	<b>Ana Teknik Veriler</b> .....	<b>275</b>
<b>12</b>	<b>Beyan</b> .....	<b>276</b>



# 1 Giriş

## 1.1 Yönergeleri belirtmek için kullanılan simgeler



Yüksek basınçlı yıkama makinesine ve parçalarına takılan tüm resimli simgeler bu kılavuzda gösterilmekte ve açıklanmaktadır.

Kişisel yaralanmaları ve eşyalarda meydana gelebilecek ciddi zararları önlemek için, bu simgeyle işaretlenen güvenlik yönergelerine uyulmalıdır.



Makinenin ya da bileşenlerinin zarar görme riski olduğunda dikkat.



Bu simge işinizi kolaylaştırmak ve yüksek basınçlı yıkama makinesi ile emniyetli bir çalışma sağlamak için uygulanması gereken yönergeleri ve ipuçlarını göstermektedir.

## 2 Güvenlik önlemleri ve çalışma teknikleri



Makineyi ilk kez kullanımından önce, bu kullanma kılavuzu başından sonuna kadar dikkatlice okunmalıdır. Kullanma kılavuzu daha sonra gerekebileceğinden saklanmalıdır.



### Uyarı!

- Aerosollerin solunması sağlık açısından tehlikeli olabilir. Gerekli durumlarda, aerosol oluşumunu önlemek ya da azaltmak için ağız kaplayan bir koruma gibi bir araç kullanın. Aerosollere karşı koruma için FFP 2 ya da daha üst sınıf bir solunum maskesi kullanın.
- Makinenin oluşturduğu yüksek su basıncı ve elektrik bağlantıları önemli tehlike kaynaklarıdır.
- Makineler, çocuklar ya da eğitimsiz personel tarafından kullanılmamalıdır. Makine ile oynamamalarını sağlamak için çocuklar denetim altında tutulmalıdırlar.
- Makineyi, koruyucu giysiler giymedikleri sürece insanların menzil içinde bulunduğu yerlerde kullanmayın.
- Makinenizi çalıştırmadan önce herhangi bir kusuru olup olmadığını dikkatle kontrol ediniz. Herhangi bir kusur görürseniz makinenizi çalıştırmayın ve Nilfisk distribütörüyle bağlantı kurun. Elektrik kablosunun yalıtımı kusursuz olmalı, üzerinde herhangi bir çatlak bulunmamalıdır. Elektrik kablosu hasar görmüşse yetkili bir Nilfisk distribütörü tarafından değiştirilmelidir.
- Temizlik ve bakım sırasında ve parçaları değiştirirken ya da makineyi başka bir işleve dönüştürürken her zaman fişi prizden çıkartın.

EN

DA

NO

SV

FI

DE

FR

NL

IT

ES

PT

EL

TR

CS

HU

PL

EN

DA

NO

SV

FI

DE

FR

NL

IT

ES

PT

EL

TR

CS

HU

PL

- Örneğin işveren yükümlülüğü sigorta birliği, sosyal güvenlik kurumları, mesleki sağlık ve güvenlik kurumlar ve diğer kuruluşların yayınladığı ulusal güvenlik yönetmeliklerine uygun hareket edin.



### **Aksesuarlar ve yedek parçalar**

- Makinenin güvenli çalışmasını sağlamak için yalnızca Nilfisk'in sağladığı ya da Nilfisk tarafından onaylanan orijinal yedek parçaları kullanın.
- Yüksek basınçlı hortumlar, montaj elemanları ve bağlantı parçaları, Makinenin güvenliği açısından önemlidir. Yalnızca Nilfisk tarafından önerilen hortumları, montaj elemanlarını ve bağlantı parçalarını kullanın.



### **Fiziksel, algısal ve zihinsel koşullar**

- Bu cihazın, düşük fiziksel, algısal ya da zihinsel yeteneklere sahip, veya deneyim ve bilgi eksikliği olan kişiler (çocuklar dahil) tarafından kullanılması amaçlanmamıştır. Eğer bu makine, düşük fiziksel, algısal ya da zihinsel yeteneklere sahip veya deneyim ve bilgi eksikliği olan kişiler tarafından kullanılıyorsa, makinenin güvenli biçimde kullanılması ve ilgili tehlikelerin anlaşılmasıyla ilgili gözetim altında tutulması ya da gerekli talimatların verilmesi gerekmektedir.



### **Uygulamalar**

Bu makine şu örneklerdeki gibi evsel ve profesyonel kullanım için geliştirilmiştir:

- evsel: otomobil, motosiklet, tekne, karavan, römork, veranda/garaj yolu/mobilya, çim biçme makinesi.
- profesyonel: yüzeylerin, otomobillerin, kamyonların, teknelerin, aletlerin ve ekipmanların temizlenmesi.

Başka bir kullanım uygun olmayan kullanım olarak kabul edilir. Nilfisk bu tür kullanımdan kaynaklanan hasarla ilgili sorumluluk kabul etmez. Bu tür bir kullanımdan kaynaklanan risk, tek başına kullanıcı tarafından üstlenilir. Uygun kullanıma aynı zamanda bu talimatta belirtildiği şekilde uygun çalıştırma, servis ve onarım işlemleri dahildir.

## Giyisiler ve donanımlar

Makineyi çalıştırırken her zaman kendinizi korumak için gerekenleri yapın.

- Kaydırmaz tabanlı ayakkabılar giyin.
- Çalıştırma sırasında gözlük takın ve koruyucu giysiler giyin



## Yüksek basınçlı yıkama makinesinin taşınması

- Makineyi bir aracın içinde ya da üzerinde taşırken, kaymaması ya da devrilmemesi için kayışlarla bağlanması gerekmektedir.
- Nilfisk, bir araç içinde ya da üzerinde taşınırken makinenin arka tarafı üzerine yatay olarak yerleştirilmesini önermektedir.



## Deterjanlar

- Bu makine, Nilfisk tarafından sağlanan ya da önerilen temizlik maddeleriyle kullanılmak üzere tasarlanmıştır. Başka temizlik maddelerinin ya da kimyasalların kullanılması, makinenin işlevini olumsuz yönde etkileyebilir.



## Çalışmaya başlamadan önce Makinenin İncelenmesi

- Makinenin elektrik kablosu, güvenlik aracı, yüksek basınçlı hortum, püskürtme kolu ve püskürtme parçaları gibi önemli parçaları hasar görmüşse makineyi kullanmayın.
- Püskürtme kolunun tetiği, kolayca hareket etmeli ve bırakıldığında otomatik olarak başlangıç konumuna geri dönmelidir.
- Yüksek basınçlı hortumun ve püskürtme parçalarının her zaman iyi durumda olduğundan (temiz, kolay hareket edebilen) ve doğru biçimde takıldığından emin olun.

EN

DA

NO

SV

FI

DE

FR

NL

IT

ES

PT

EL

TR

CS

HU

PL

EN

DA

NO

SV

FI

DE

FR

NL

IT

ES

PT

EL

TR

CS

HU

PL



## Elektrik bağlantısı

### Uyarı!

Elektrik çarpması riskini en aza indirin:

- Makinenin voltajı ve frekansı (veri plakasına bakın), elektrik şebekesinin voltajına ve frekansına uygun olmalıdır.
- Makineyi yalnızca uygun ehliyete sahip bir elektrikçi tarafından IEC 60364-1'e uygun biçimde yapılmış bir elektrik tesisatına bağlayın.
- Bu makinenin bağlanacağı elektrik kaynağında, toprağa geçen akım kaçacağı 30 ms boyunca 30 mA'yı aştığında, elektrik beslemesini kesecek bir fazla akım cihazı bulunmalıdır.
- IEC/EN 60898-1 / IEC 947-2'ye göre C ya da D özellikli ya da IEC'nin dışında karışılık gelen standartlara uygun motor çalıştırma/geciktirme sigortaları kullanın.
- Makinenin yüksek güç tüketimi nedeniyle uygun bir elektrik şebekesi sigortası gereklidir.
- Yetersiz nitelikteki uzatma kabloları tehlikeli olabilir. Eğer bir uzatma kablosu kullanılıyorsa, bu kablo dış mekanda kullanıma uygun olmalı ve bağlantının kuru ve yerden yukarıda tutulması gerekmektedir.
- Nilfisk, kablo uzatması gerektiğinde, prizi yerden en az 60 mm yukarıda tutacak bir uzatma kablosu makarası kullanılmasını önermektedir.
- Elektrik kablosu zarar gördüğünde tehlike yaratmaması için yetkili Nilfisk dağıtıcısı ya da benzer şekilde niteliklere sahip bir kişi tarafından değiştirilmelidir.
- Yüksek basınçlı yıkama makinesinin bir besleme sistemine bağlanması durumunda maks. izin verilen empedans = 0,4023  $\Omega$  ( $Z_{max}$ ). Aracın yalnızca bu ya da daha düşük empedansa sahip bir beslemeye bağlanmasıyla ilgili besleme kurumu ile görüşün.



## Su bağlantısı

- Bu yüksek basınçlı yıkama makinesinin, yalnızca EN 60335-2-79'ye uygun BA tipi bir geri tepme önleyici takıldığında içme suyu şebekesine bağlanmasına izin verilmektedir.
- Geri tepme önleyici, 106411177.
- İçme suyu, geri tepme önleyiciden aktıktan sonra artık içme suyu olarak kabul edilemez.
- Emme ile çalıştırma (ör. yağmur suyu kanalından) geri tepme önleyici olmadan gerçekleştirilir, bkz. “**Basıncsız su kaynağına bağlantı yapılması**” konusuna bakın. Makine, 1 MPa/10 bar giriş basıncında ve en fazla 60 °C su şebekesine bağlanabilir.

## Emniyet düzenekleri

### Püskürtme kolu üzerindeki kilitleme düzeneği:

Püskürtme kolunda bir kilitleme düzeneği bulunmaktadır. Kilit mandalı devreye sokulduğunda püskürtme kolu çalıştırılmaz.

### Termal sensör:

- Otomatik sıfırlama  
Termal sensör, motoru aşırı yüklenmeye karşı korur. Termal sensör soğuduğunda makine birkaç dakika sonra yeniden başlar.
- Otomatik olmayan sıfırlama (Yalnızca MC2C US modeli için)  
Sıfırlama için manuel bir işlem gereklidir. Manuel işlem, cihazın ana şebekeden ayrılması anlamına gelir.



### Dikkat:

Termal devre kesicinin yanlışlıkla sıfırlanmasından kaynaklanan bir tehlikeyi önlemek için bu cihaz, zamanlayıcı gibi harici bir anahtarlama cihazı üzerinden beslenmemeli veya şebeke tarafından düzenli olarak açılıp kapatılan bir devreye bağlanmamalıdır.

### Basınc emniyet aygıtı:

Tümleşik hidrolik emniyet valfi, sistemi aşırı yüksek basınçlara karşı korumaktadır.

EN

DA

NO

SV

FI

DE

FR

NL

IT

ES

PT

EL

TR

CS

HU

PL

EN

DA

NO

SV

FI

DE

FR

NL

IT

ES

PT

EL

TR

CS

HU

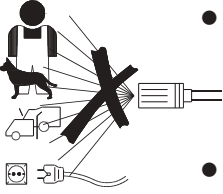
PL



## Çalışma sırasında

### Uyarı!

- Asbest içeren yüzeylerin yüksek basınçla temizlenmesine izin verilmez.
- Patlama riski – Yanıcı sıvılar püskürtmeyin.
- Asla solvent içeren sıvılar (ör. benzin, ısıtma yağı, boya tineri ya da aseton) çekmeyin. Bu maddeler, makinenin içinde kullanılan malzemelere zarar verebilir. Bu tür maddelerin spreyi, çok yanıcı, patlayıcı ve zehirlidir.
- Su jetini, giysileri ya da ayakkabıları temizlemek için bile asla kendinize ve başka kişilere doğrultmayın – **yaralanma riski.**
- Su jetini asla evcil ya da diğer hayvanlara doğrultmayın.
- Su jetini kesinlikle elektrikli aletlere ya da makinenin kendisine doğrultmayın – **kısa devre tehlikesi.**
- Püskürtme borusunda, çalıştırma sırasında püskürtme kolunun tetiğine basıldığında 27,4 N'a kadar bir geri tepme basıncı ve ani bir tork hissedilir.
- Bu yüksek basınçlı yıkama makinesi 0 °C'nin altındaki sıcaklıklarda kullanılmamalıdır.
- Donmuş durumda olan bir makineyi kesinlikle çalıştırmayın. Donmadan kaynaklanan hasarlar garanti kapsamında değildir.
- Her zaman yere sıkı ve sağlam bastığınızdan emin olun.
- Makine, dikey konumda çalıştırılmalıdır.
- Makine 5 dakika süreyle kendi haline bırakılır veya bu süre boyunca kullanılmazsa, çalıştırma/durdurma düğmesi, "O" (1) konumuna getirilerek kapatılmalıdır.



## İşi bitirdikten sonra

### UYARI!

- İş bittikten ve makineyi yanında kimse olmadan bırakacağınız zaman her zaman makineyi kapatın ve elektrik fişini prizden çıkartın.

- Makine ile su kaynağı arasındaki su girişi hortumunu çıkartın.
- Makineyi kullandıktan sonra ve uzun süreli saklamadan önce her zaman pompanın, hortumun ve aksesuarların içindeki suyu boşaltın.



## Bakım ve onarımlar

### UYARI!

- Bakım, temizlik veya onarım işleminden önce elektrik fişini prizden mutlaka çekin.
- Tüm gerekli onarım işlemleri mutlaka bir Nilfisk yetkili bir bakım atölyesinde ve orijinal Nilfisk yedek parçalar kullanılarak yapılmalıdır.
- Bu kullanma talimatlarında verilmeyen hiçbir bakım işi yapmaya çalışmayın.
- Eğer makine başlamazsa, durursa, çalışıp duruyorsa, basınç değişiyorsa, motor zorlanıyorsa, sigorta atıyorsa ya da su çıkmıyorsa, kullanma talimatlarındaki Arıza giderme tablosuna bakın. Başka sorunlarla karşılaşırsanız lütfen bölgenizdeki Nilfisk distribütörüyle görüşün.
- Cihazın temizliği ve bakımı gözetim altında olmayan çocuklar tarafından yapılmamalıdır.



### Ürünün doğru biçimde bertaraf edilmesi

Bu işaret, bu ürünün AB çapında diğer evsel atıklarla birlikte bertaraf edilmemesi gerektiğini göstermektedir. Kontrolsüz atık bertarafının çevreye ya da insan sağlığına zarar vermesini önlemek için sorumlu biçimde geri dönüştürerek malzeme kaynaklarının sürdürülebilir biçimde tekrar kullanılmasını destekleyin. Kullanılan cihazınızı geri göndermek için lütfen iade ve alma sistemlerini kullanın ya da ürünü satın aldığınız satıcı ile iletişim kurun. Satıcınız, bu ürünü çevresel açıdan güvenli geri dönüşüm için alabilir.

EN

DA

NO

SV

FI

DE

FR

NL

IT

ES

PT

EL

TR

CS

HU

PL

EN

## 3 Tanım

DA

NO

SV

FI

DE

FR

NL

IT

ES

PT

EL

TR

CS

HU

PL

### 3.1 Uygulama

Bu yüksek basınçlı yıkama makinesi, yarı profesyonel düzenli temizlik için geliştirilmiştir:

- *Profesyonel esnaf işleri, araçların, teknelerin, karavanların temizlenmesi ve bina ve inşaat içi küçük temizlik işleri*

Bölüm 6'te yüksek basınçlı yıkama makinesinin çeşitli işler için kullanımı anlatılmaktadır.

Yüksek basınçlı yıkama makinesini yalnızca bu kılavuzda anlatılan amaçlar için kullanın.

Makinenin ve temizlenecek yüzeyin hasar görmesini ya da insanların ciddi biçimde yaralanmalarını önlemek için güvenlik önlemlerine uyulmalıdır.

### 3.2 Kullanım için gereken bileşenler ve modelin incelenmesi



Bu kılavuzun sonundaki şekle bakın.

- 1 Çalıştırma/durdurma düğmesi
- 2 Su girişi (filtreli)
- 3 Yüksek basınç bağlantısı (yalnızca hortum makarası içermeyen modeller)
- 4 Yüksek basınç hortumu
- 5 Elektrik kablosu
- 6 Basınç / su hacmi ayarı (standart değil)
- 7 Ergo 2000 kilitli püskürtme tabancası
- 8 Flexopower Plus ağız
- 9 4'ü 1 arada püskürtme borusu (T ve XT modelleri)
- 10 Deterjanlar için çıkarılabilir kap
- 11 Ağız temizleme aleti

- 12 Hortum makarası
- 13 Hortum kancası (yalnızca hortum makarası içermeyen modeller)
- 14 Model etiketi
- 15 Teleskopik kolun düğmesi
- 16 Araba tutamağı (teleskopik tutamağın)
- 17 Döndürülebilir kablo kancası

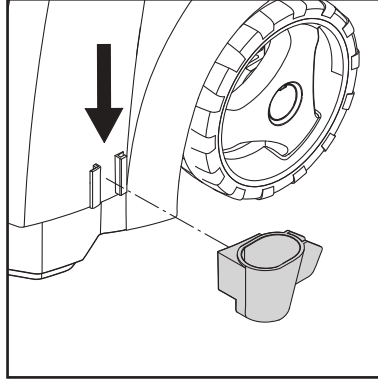
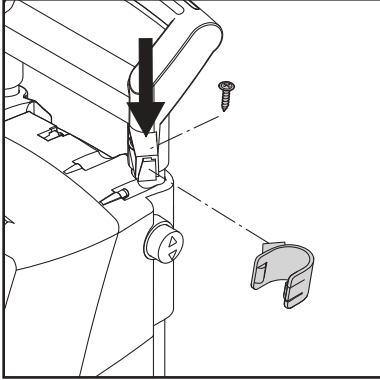
**Özellikler:** Makinenin model etiketine (14) bakınız.

Özellikleri değiştirme yetkisini muhafaza ettiğimizi bildiririz.



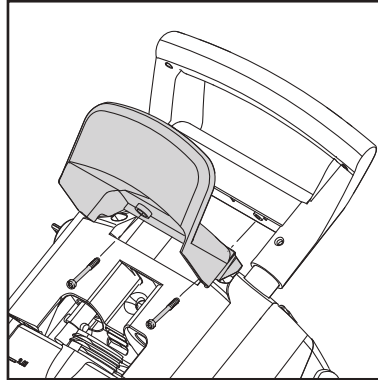
# 4 Basınçlı yıkama makinenizi kullanmaya başlamadan önce

## 4.1 Püskürtme borusu tutucularının takılması



Püskürtme borusu için tutucuları makineye takın.

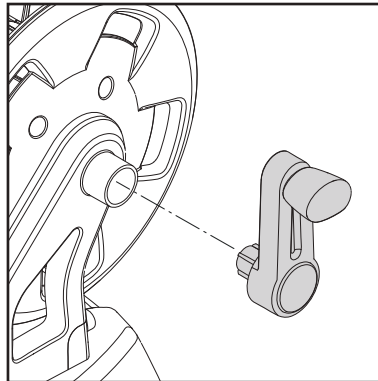
## 4.2 Hortum kancasının takılması (yalnızca hortum makarası içermeyen modeller)



Hortum kancasını (13) makine üzerine takın (2 vidayla).

**Not:** Hortum kancası öne ya da arkaya takılabilir. Ürünün duvarda saklamak için özel bir duvar kancasıyla birlikte kullanılması durumunda ön konum tercih edilmelidir.

## 4.3 Hortum makarası kolunun takılması (hortum makarası olan modeller için geçerli)



1. Hortum makarası kolunu arabanın tutamağına geçirin (vidasız olarak).

EN

DA

NO

SV

FI

DE

FR

NL

IT

ES

PT

EL

TR

CS

HU

PL

EN

DA

NO

SV

FI

DE

FR

NL

IT

ES

PT

EL

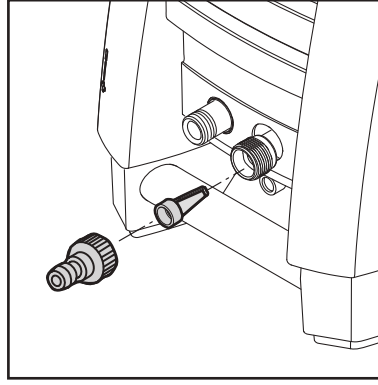
TR

CS

HU

PL

#### 4.4 Hızlı bağlantı elemanının takılması



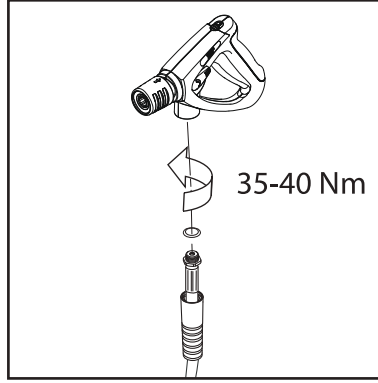
1. Hızlı bağlantı elemanını döndürerek su girişine (2) sıkıca takın.

**Not:** Giriş filtresi, pompa valflerine hasar verebilecek yabancı maddeleri süzmek için su giriş borusuna her zaman takılı olmalıdır.



**Dikkat:** Filtrenin takılması garantiyi geçersiz kılacaktır.

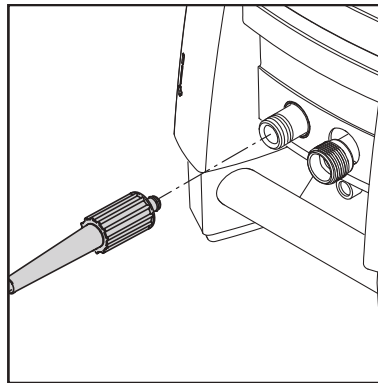
#### 4.5 Sprey tabancasına yüksek basınç hortumunun takılması



Tekerlek basınçlı hortumu (4) sprej tabancası (7) üzerine vidalayın.

## 5 Basınçlı yıkama makinesinin kullanılması

#### 5.1 Yüksek basınç hortumunun bağlanması

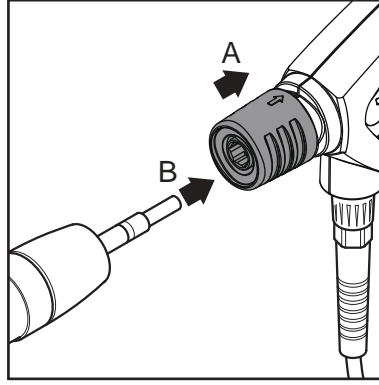


**Hortum makarası içermeyen modeller:** Yüksek basınç hortumunu (4) bu hortum için yapılmış bağlantıya (3) takın.

En fazla 7 m'lik tek bir uzatma hortumu kullanın.

**Hortum makarası olan modeller için geçerli:** Yüksek basınç hortumunu tamamen çözün.

## 5.2 Püskürtme borusunun püskürtme tabancasına bağlanması



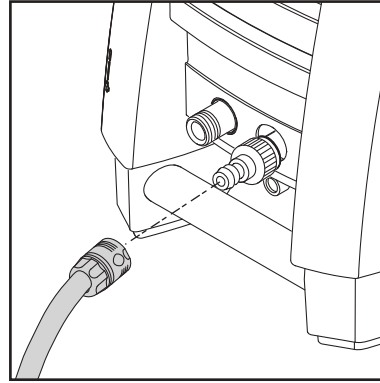
### UYARI!

Püskürtme borusunu püskürtme tabancasına bağlamadan önce nipeldeki pislik parçacıklarını daima temizleyiniz.

1. Püskürtme tabancasının mavi renkteki hızlı açılan kavramasını (A) geriye çekin.
2. Püskürtme borusunun nipelini, hızlı açılan bağlantıya takın ve bırakın.
3. Püskürtme tabancasına sıkı biçimde oturduğunu kontrol etmek için püskürtme borusunu (ya da diğer bir aksesuarı) ileri doğru çekin.

## 5.3 Su bağlantısı

1/2 inç çapa sahip, uzunluğu ise **en az 10 m** ve **en fazla 25 m** olan sıradan bir bahçe hortumu uygun olacaktır.



**NOT:** Şehir su şebekesine bağlantı, ilgili yönetmeliklere uygun biçimde yapılmalıdır.

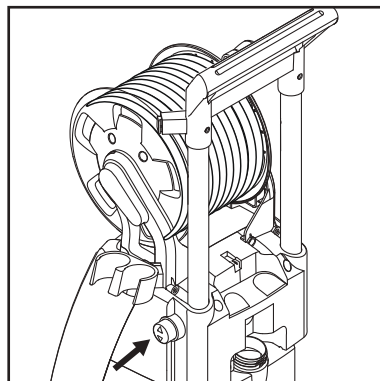
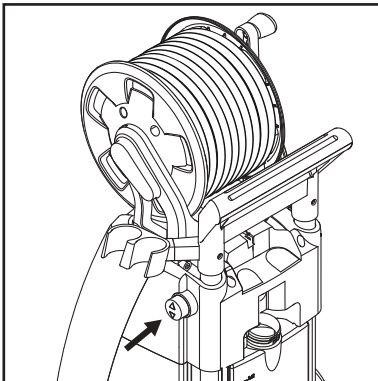


### ÖNEMLİ! Mutlaka içinde yabancı maddeler

**olmayan su kullanın.** Giriş suyu içinde akar durumda kum taneleri bulunması riski varsa (örneğin kuyunuzdan gelen), ek bir filtre takılmalıdır.

1. Su hortumunu makineye bağlamadan önce, kum ve pisliklerin makineye girmesini önlemek için hortumun içinden su akıtın.  
**Not:** Filtrenin su giriş borusuna takılı olduğundan ve tıkanmış olmadığından emin olmak için kontrol edin.
2. Su hortumunu bir hızlı bağlantı elemanı kullanarak su kaynağına bağlayın (giriş suyu, maksimum basınç: 10 bar, maksimum sıcaklık: 60 °C).
3. Suyu açın.

## 5.4 Teleskopik tutamak



Makinede bir teleskopik tutamak bulunmaktadır. Tutamağı kaldırma ya da indirmek için düğmeye basın ve tutmağı yukarı ya da aşağı hareket ettirin. Bir tıklama duyduğunuzda, kol doğru

EN

DA

NO

SV

FI

DE

FR

NL

IT

ES

PT

EL

TR

CS

HU

PL

EN

DA

NO

SV

FI

DE

FR

NL

IT

ES

PT

EL

TR

CS

HU

PL

### 5.5 Makinenin çalıştırılması ve durdurulması (su kaynağına bağlı olduğunda)



konumdadır. Çalışma sırasında püskürtme borusu üzerinde bir itme kuvveti oluşur – bu nedenle boruyu her zaman iki elle sıkıca tutun.

#### ÖNEMLİ: Ağız yere doğrultun.

1. Makinenin yatay durumda olduğundan emin olmak için kontrol ed in.  
**NOT:** Makineyi yüksek otların içinde bir yere koymayın.
2. Tetik kilidini çözün.
3. Püskürtme kolunun tetiğini çalıştırın ve yüksek basınç hortumundan tüm hava çıkana kadar suyu akıtın.
4. Çalıştırma/durdurma düğmesini (1) konum çevirin.
5. Püskürtme tabancasının tetiğini çalıştırın.

Ağzın temizlenecek olan yüzeye uzaklığını ve dolaşısıyla basıncını her zaman

ayarlayın.

Yeterince hava sirkülasyonu olmas na dikkat ediniz. Cihazın üzerini örtmeyiniz veya yeterince havalandırılmayan yerlerde kullanmayınız



**Not:** Makine 5 dakika süreyle kendi haline bırakılır veya bu süre boyunca kullanılmazsa, çalıştırma/durdurma düğmesi, “O” (1) konumuna getirilerek kapatılmalıdır:

1. Çalıştırma/durdurma düğmesini (1) konum “O”ya çevirin.
2. Elektrik fişini prizden çekin.
3. Su kaynağını kapatın ve tetiği çalıştırarak makinenin basıncını boşaltın.
4. Püskürtme tabancasını kilitleyin.

Püskürtme tabancasının tetiği serbest bırakıldığında, makine otomatik olarak durur. Püskürtme tabancası yeniden çalıştırıldığında makine da yeniden çalışmaya başlar.

### 5.6 Makineyi çalıştırın (açık kaplara bağlı olduğunda (emmeli model))

Yıkama makinesi, örneğin yağmur suyu dolu bir depodan su çekebilir. Su kaynağına bağlanan hortum fazla uzun olmamalı, yaklaşık 5 m uzunlukta olmalıdır.

Su deposunun makineden daha aşağı bir seviyede bulunmadığından emin olun.

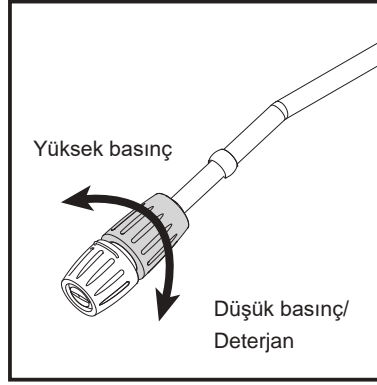
Suda yabancı maddeler bulunması halinde harici bir filtre kullanın.

1. Su hortumunu makineye bağlamadan önce hortumun suyla tam dolu olduğundan emin olun. Tüm hortumu bir tanka ya da kovaya koyun. Suyun dökülmesini önlemek için su giriş hortumunu suyun içinde katlayın ve

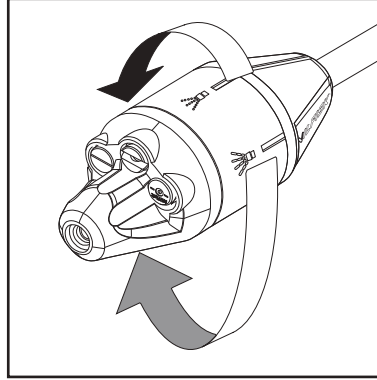
hortumu hızlı bağlantı elemanı ile makineye bağlayın. Son olarak su giriş hortumunun kat yerini bırakın.

2. Püskürtme kolunu, borusunu ve ağzını çıkartın.
3. Başlatma/durdurma anahtarını konumuna getirin ve su hortumundan ve pompadan tüm hava çıkana kadar suyu akıtın.
4. Çalıştırma/durdurma düğmesini (1) konum “O”ya çevirin.
5. Püskürtme kolunu, ardından ağzını takın.
6. Çalıştırma/durdurma düğmesini (1) konum çevirin.
7. Püskürtme tabancasının tetiğini çalıştırın.

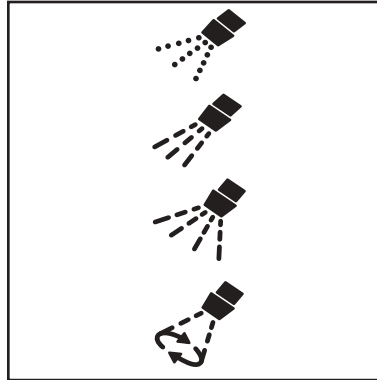
## 5.7 Basınç ayarı



**Flexopower Plus borusu**  
Basınç, Flexopower Plus ağız  
üzerinden ayarlanabilir.  
T ve XT modelleri:



**4'ü 1 arada püskürtme borusu**  
Basınç, 4'ü 1 arada püskürtme  
borusunda ayarlanabilir.  
Düşük Basınç / deterjan



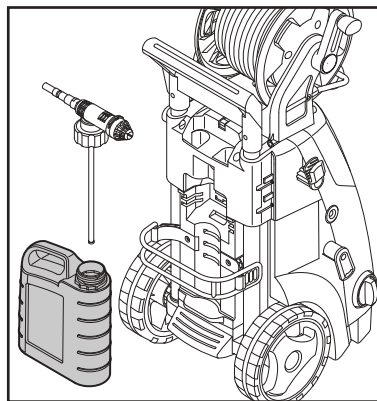
Düşük basınç / deterjan

Tornado / Yüksek basınç

Geniş açılı / yüksek basınç

Turbohammer / yüksek basınç

## 5.8 Deterjanlı kullanım



1. Kabı deterjanla doldurun.
2. Deterjanı alttan başlayarak yukarıya doğru uygulayın.
3. Deterjanın etkisini göstermesi için deterjan paketinin üzerinde belirtilen süre boyunca bekleyin ve daha sonra saf suyla yıkayın ya da bir fırça kullanın.

EN

DA

NO

SV

FI

DE

FR

NL

IT

ES

PT

EL

TR

CS

HU

PL

EN

### 5.9 Basınç / su hacmi ayarı (yalnızca basınç ve su hacmi ayarlama düğmeli modeller)

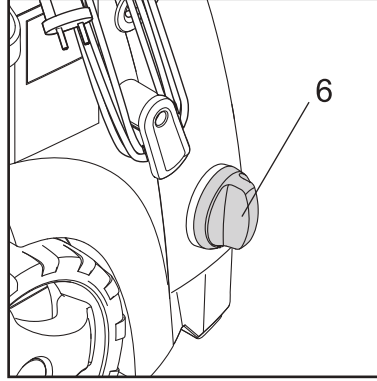
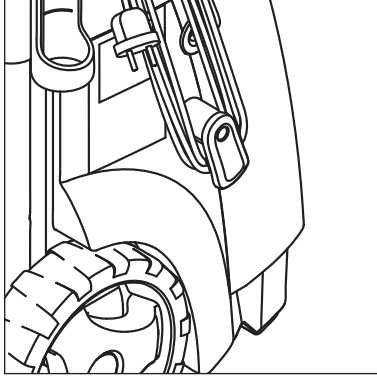
DA

NO

SV

FI

DE



Çalışma basıncı ve su hacmi,  
basınç / su hacmi ayar  
düğmesi (6) döndürülerek maki-  
nanın üzerinden ayarlanabilir.

FR

NL

## 6 Uygulama alanları ve çalışma yön- temleri

IT

ES

### 6.1 Genel

Etkin bir yüksek basınçlı temizlik, birkaç temel kurala uyulması ve belli temizlik görevleri konusunda edindiğiniz kişisel deneyimin devreye sokulmasıyla sağlanabilir. Aksesuarlar ve deterjanlar, doğru seçildiklerinde, basınçlı yıkama makinenizin verimini artırabilir. Aşağıda temizlik işlemleri konusunda bazı temel bilgilere yer verilmektedir.

PT

EL

TR

#### 6.1.1 Deterjan ve köpük

Köpük veya deterjan, kimyasal ürünün kirlerle doğrudan temas etmesini sağlamak için kuru yüzeylere uygulanmalıdır. Deterjanın daha yüksek bir konsantrasyonda biriktiği ve aşağı doğru aktığı "süper temiz" alanlar oluşmasını önlemek için deterjanlar, örneğin otomobil karoseri üzerinde, alttan yukarı doğru uygulanır. Durulama-  
madan önce deterjanı birkaç dakika süreyle etkisini göstermeye bırakın, ancak kesinlikle temizlenmekte olan yüzey üzerinde kurumasına izin vermeyin. **Not:** Deterjanların kurumasına izin verilmesi çok önemlidir. Aksi halde, temizlenmesi gereken yüzey zarar görebilir.

CS

HU

PL

#### 6.1.2 Mekanik etki

İnatçı kir katmanlarını parçalamak için fazladan bir mekanik etki gerekli olabilir. Özel yıkama fırçaları, kirin, trafik filminin vb. çıkartarak bu ilave etkiyi sağlayabilir.

# 7 Basınçlı yıkama makinesini kullandıktan sonra

## 7.1 Yıkama makinesinin depolanması



**Makina, donmaya maruz kalmayacağı bir odada saklanmalıdır!**

Pompa, hortum ve aksesuarlar depolanmadan önce daima içindeki su aşağıda anlatıldığı şekilde boşaltılmalıdır:

1. Makinayı durdurun (döner tip düğme (1) "O" konumunda olacak şekilde) ve su hortumu ile aksesuarı çıkarın.
2. Makinayı yeniden çalıştırın ve tetiği çalıştırın. Püskürtme tabancasından su akışı kesilene kadar makinayı çalıştırın.
3. Makinayı durdurun ve fişten çekin. Elektrik kablosunu makinanın yan tarafında bulunan kancaların etrafına sarın.
4. Püskürtme kolunu ve püskürtme ağzını ayırın.

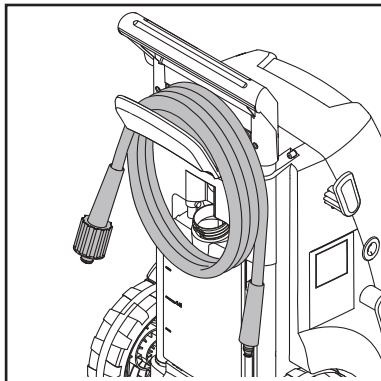
5. **Hortum makarası içermeyen modeller:** Yüksek basınç hortumunu çıkarın, kangal biçiminde sarın ve hortum saklama yerine koyun. **Hortum makarası olan modeller için geçerli:** Yüksek basınç hortumunu hortum makarasının üzerine sarın.
6. Püskürtme tabancasını, ağızları ve diğer aksesuarları makinadaki yerlerine takın.

Yanlışlıkla makine donacak olursa, çözülmesini bekleyin ve herhangi bir hasar meydana gelip gelmediğini kontrol edin.

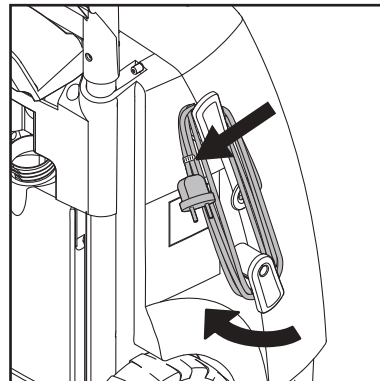
**DONMUŞ DURUMDA BİR MAKİNAYI KESİNLİKLE ÇALIŞTIRMAYIN.**

**Donmadan kaynaklanan hasarlar garanti kapsamında değildir.**

## 7.2 Elektrik kablosunun ve yüksek basınç hortumunun sarılması



Kazaları önlemek için elektrik kablosu ve yüksek basınç



hortumu yerlerine daima dikkatlice sarılmalıdır.

1. Elektrik kablosunu özel kancaların üzerine sarın.
2. Yüksek basınçlı yıkama makinesi iki model halinde üretilmektedir: A) yüksek basınç hortumunun sarılması için kancası (13) olan bir model – B) hortumun makarasının (12) olan bir model.

EN

DA

NO

SV

FI

DE

FR

NL

IT

ES

PT

EL

TR

CS

HU

PL

EN

DA

NO

SV

FI

DE

FR

NL

IT

ES

PT

EL

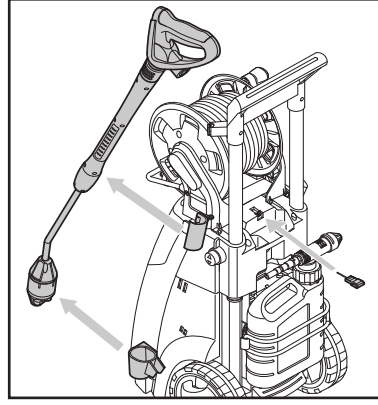
TR

CS

HU

PL

### 7.3 Aksesuarların depolanması



Standart aksesuarlar (püskürtme tabancası, püskürtme borusu, ağız temizleme aleti), basınçlı yıkama makinesinin üzerinde depolanabilir.

## 8 Bakım



**UYARI!** Bakım veya temizleme işleminden önce elektrik fişini prizden mutlaka çekin.

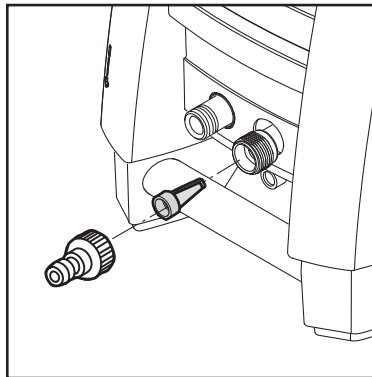
Uzun süreler boyunca sorunsuz bir kullanımı güvenceye almak için aşağıdaki tavsiyelere uymanızı rica ederiz:

- Yerlerine takmadan önce su hortumunu, yüksek basınç hortumunu, püskürtme borusunu ve aksesuarları yıkayarak temizleyin.

- Bağlantı elemanlarındaki toz ve kumları temizleyin.
- Ağızları temizleyin.

Tüm gerekli onarım işlemleri mutlaka yetkili bir bakım atölyesinde ve orijinal yedek parçalar kullanılarak yapılmalıdır.

### 8.1 Su giriş filtresinin temizlenmesi



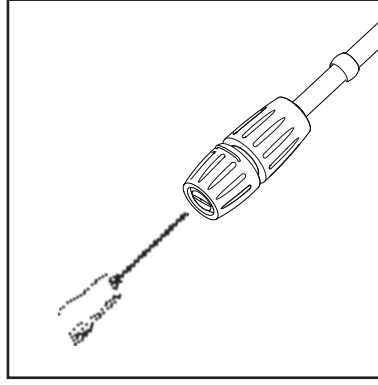
Su giriş filtresini düzenli aralıklarla, kullanıma bağlı olarak ayda bir kez ya da daha sık temizleyin. Filtreyi pense ile dikkatli bir biçimde gevşetin ve temizleyin. Yerine tekrar takmadan önce sağlam olduğundan emin olun.

Giriş filtresi, pompa valflerine hasar verebilecek çeşitli yabancı maddeleri süzmek için her zaman su giriş borusu içine takılı olmalıdır.

**DİKKAT:** Filtrenin takılmaması garantiyi geçersiz kılacaktır.



## 8.2 Memenin temizlenmesi



Ağız içerisinde olabilecek bir tıkanıklık pompa basıncının çok fazla yükselmesine neden olur. Bu nedenle hemen temizlik gereklidir.

1. Makineyi durdurun ve ağız çıkarın.
2. Ağız temizleyin. **ÖNEMLİ:** Temizlik aleti (10) yalnızca ağız sökülmüş durumdayken kullanılmalıdır!
3. Ağızın içini ters yönde su akıtarak yıkayın.

## 8.3 Makinenin havalandırma deliklerinin temizlenmesi

Soğutma havasının makinenin havalandırma deliklerinden rahatlıkla geçebilmesi için makine temiz tutulmalıdır.

## 8.4 Bağlantı parçalarına gres sürülmesi

Kolay bağlantı yapılmasını ve o-halkaların kurumamasını sağlamak için bağlantı parçalarına düzenli olarak gres sürülmelidir.

EN

DA

NO

SV

FI

DE

FR

NL

IT

ES

PT

EL

TR

CS

HU

PL

EN

## 9 Arıza giderme

DA

NO

SV

FI

DE

FR

NL

IT

ES

PT

EL

TR

CS

HU

PL

Gereksiz hayal kırıklıklarına uğramaktan kaçınmak için, Nilfisk servis ağıyla bağlantı kurmadan önce aşağıdaki hususları kontrol etmeniz gerekmektedir:

Belirti	Nedeni	Tavsiye edilen çözüm
<b>Makine çalışmıyor</b>	Makine fişe takılı değildir Arızalı priz Sigorta atmıştır.  Arızalı uzatma kablosu	Makineyi fişe takın. Başka bir priz deneyin. Sigortayı değiştirin. Diğer makineleri kapatın. Uzatma kablosunu kullanmadan çalıştırmayı deneyin.
<b>İnip çıkan basınç</b>	Pompa içine hava emiliyordur.  Valfler kirli, aşınmış  Pompa contaları aşınmıştır	Hortumların ve bağlantıların hava geçirmez durumda olduğundan emin olmak için kontrol edin. Temizleyin ve değiştirin ya da bölgenizdeki Nilfisk distribütörüne başvurun. Temizleyin ve değiştirin ya da bölgenizdeki Nilfisk distri bütörüne danışın.
<b>Motor boşa çalışıyor</b>	Düşük gerilim ya da düşük sıcaklık	Püskürtme tabancasının tetiğini çalıştırın.
<b>Makine duruyor</b>	Sigorta atmıştır.  Yanlış şebeke gerilimi  Isı sensörü devreye girmiştir  Ağız kısmen tıkanmıştır	Sigortayı değiştirin. Diğer makineleri kapatın. Şebeke geriliminin kullandığınız modelin etiketindeki değere uygun olup olmadığını kontrol edin. Yıkama makinesini 5 dakika soğumaya bırakın. Ağız temizleyin (bölüm 7.2'e bakın).
<b>Sigorta atıyor</b>	Sigorta gerekenden küçüktür	Makinenin amper tüketiminden daha yüksek değerde sigorta tesisatı kullanın. Uzatma kablosunu kullanmadan çalıştırmayı deneyebilirsiniz.
<b>Makine vuruntulu yor</b>	Giriş hortumunda/pompada hava vardır edilene kadar makineyi Şebeke suyu kaynağı yetersiz  Ağız kısmen tıkanmıştır Su filtresi tıkanmıştır Hortum dolanmıştır	Normal çalışma basıncı yeniden elde <b>çalış-</b> tetik açık durumda çalıştırın  Su kaynağının gerekli değerlere uygun olduğundan emin olmak için kontrol edin (modelin etiketine bakın) <b>NOT!</b> Uzun, ince hortumlar kullanmaktan kaçının (minimum 1/2") Ağız temizleyin (bölüm 7.2'e bakın). Filtreyi temizleyin (bölüm 7.1'ye bakın). Hortumu düzeltin.
<b>Makine sık sık kendiliğinden çalışıp duruyor</b>	Pompa/püskürtme tabancası kaçırıyor	En yakındaki Nilfisk Servis Merkezine başvurun.
<b>Makine çalışıyor, fakat</b>	Pompa/hortumlar veya kullanılan aksesuar dışarı su gelmiyor donmuştur  Su filtresi tıkanmıştır Ağız tıkanmıştır	Pompa/hortum veya aksesuarın çözülmesini bekleyin. Su kaynağından su gelmiyor Giriş suyunu bağlayın. Filtreyi temizleyin (bölüm 7.1'ye bakın). Ağız temizleyin (bölüm 7.2'e bakın).
<b>Pompa basıncı düşüyor</b>	Basınç / su hacmi ayarlama düğmesi doğru ayarlanmamıştır.	Düğmeyi doğru çalışma basıncına ayarlayın.

Yukarıda sıralananlar dışında sorunlarla karşılaşmanız durumunda, bölgenizdeki Nilfisk distribütörüyle bağlantı kurun.

# 10 Diğer bilgiler

## 10.1 Garanti şartları

Cihazın kullanım ömrü 10 yıldır. Servis ve bakım gereksinimini durumunda lütfen bayinizle görüşün.

# 11 Ana Teknik Veriler

Tipi		MC2C-60/520 XT US-CAN	MC2C-80/520 T	MC2C-120/520 T	MC2C-120/520 XT	MC2C-140/610 XT	MC2C-140/610 P	MC2C-150/650	MC2C-140/650 (EXPT)	MC2C-150/650 XT
Nominal basınç	bar/MPa	60/6,0	80/8,0	120/12	120/12	140/14	140/14	150/15	140/14	150/15
Temizleme etkisi	kg / zorlamak	2	2	2,2	2,2	2,5	2,5	2,9	2,9	2,9
Su hacmi	Qmax/ QIEC l/min.	2,3/2,2 gallon	8,7/8,2	8,7/7,8	8,7/7,8	10,2/9,0	10,2/9,0	10,8/9,5	10,8/9,5	10,8/9,5
Voltaj/faz/ frekans/akım	V/faz/ Hz/A	120/1/ 60/15	115-127/1/ 60/15	230/1/ 50/10	230/1/ 50/10	230/1/ 50/12,6	230/1/ 50/12,6	230/1/ 50/14,5	220/1/ 60/14,5	230/1/ 50/14,5
Maks. su basıncı	°C	60	60	60	60	60	60	60	60	60
Kablo	m	10	5	5	5	5	5	5	5	5
Pompa	Devir/ Dakika	3400	3400	2800	2800	2800	2800	2800	3400	2800
Ağız boyutu	1/8"	0,475	0,475	0,340	0,340	0,340	0,370	0,340	0,350	0,340
Ses basıncı seviyesi LpA	dB(A)	72 ±2	72 ±2	72 ±2	72 ±2	72 ±2	72 ±2	72 ±2	72 ±2	72 ±2
Ses gücü seviyesi LwA	dB(A)	89	86	86	86	86	86	88	88	88
Titreşim (ISO 5349)	m/s <sup>2</sup>	< 2,5	< 2,5	< 2,5	< 2,5	< 2,5	< 2,5	< 2,5	< 2,5	< 2,5
Ağırlık	kg	28,6	27,3	27,3	28,1	28,1	28,1	26,3	26,3	28,1

## ÜRETİCİ FİRMA:

Nilfisk A/S  
Marmorvej 8  
2100 Copenhagen OE, DANİMARKA  
Tel.: +45 4328 8100  
www.nilfisk.com

## İTHALATÇI FİRMA:

Nilfisk Prof. Tem. Ek. Tic. A.Ş.  
Şerifali Mah. Bayraktar Blv., Şehit Sok. No:7, 34775  
Ümraniye, İstanbul, Türkiye  
Tel.: +90 216 466 94 94  
Faks: +90 216 527 30 32  
www.nilfisk.com.tr

## ÜRETİM YERİ:

ÇİN HALK CUMHURİYETİ

EN

DA

NO

SV

FI

DE

FR

NL

IT

ES

PT

EL

TR

CS

HU

PL

EN

# 12 Beyan

DA

Firmamız,

NO

Nilfisk A/S  
Marmorvej 8  
2100 Copenhagen Ø  
DANİMARKA

SV

Yegane sorumluluk sahibi taraf olarak aşağıda belirtilen ürünlerin

FI

Ürünler: HPW – Professional – Mobile – EI – CW  
Açıklama: 230 V, 50 Hz, IPX5

DE

Tür: MC2C-120/520 T, -120/520 XT, -140/610 XT, -150/650 XT, -140/650 EXPT

FR

Aşağıda belirtilen standartları:

EN 60335-1:2012+A11:2014+A13:2017+A1:2019+A14:2019+A2:2019+A15:2021+A16:2023  
EN 60335-2-79:2012  
EN 55014-1:2021  
EN 55014-2:2021  
EN 61000-3-2:2019+A1:2021  
EN 61000-3-11:2019  
EN 63000:2018

NL

IT

ES

Aşağıdaki Avrupa Birliği uyumlulaştırma yönetmelikleri uyarınca karşıladığını beyan eder:

2006/42/EC  
2014/30/EU  
2011/65/EU

PT

EL

2000/14/EC – Ek V'e uygun olarak uyumluluk değerlendirme prosedürü.  
– Ölçülen ses gücü seviyesi: 86-88 dB(A); Garanti edilen ses gücü seviyesi: 89-91 dB(A)

TR

Broendby, 2024-01-02

*Wei Hua (Warner) Guo*

CS

Warner Guo, VP R&D, Head of Competence Center APAC • R&D

HU

PL

## **TÜKETİCİNİN SEÇİMLİK HAKLARI**

*Malın ayıplı olduğunun anlaşılması durumunda tüketici, 6502 sayılı*

*Tüketicinin Korunması Hakkında Kanununun 11 inci maddesinde yer alan;*

**a- Sözleşmeden dönme,**

**b- Satış bedelinden indirim isteme,**

**c- Ücretsiz onarılmasını isteme,**

**ç- Satılanın ayıpsız bir misli ile değiştirilmesini isteme,**

**haklarından birini kullanabilir.**

**Tüketicinin bu haklardan ücretsiz onarım hakkını seçmesi durumunda**

*satıcı; işçilik masrafı, değiştirilen parça bedeli ya da başka herhangi bir ad*

*altında hiçbir ücret talep etmeksizin malın onarımını yapmak veya*

*yaptırmakla yükümlüdür. Tüketici ücretsiz onarım hakkını üretici veya*

*ithalatçıya karşı da kullanabilir. Satıcı, üretici ve ithalatçı tüketicinin bu*

*hakkını kullanmasından müteselsilen sorumludur.*

*Tüketicinin, **ücretsiz onarım hakkını** kullanması halinde malın;*

*- Garanti süresi içinde tekrar arızalanması,*

*- Tamiri için gereken azami sürenin aşılması,*

*- Tamirinin mümkün olmadığının, yetkili servis istasyonu, satıcı, üretici*

*veya ithalatçı tarafından bir raporla belirlenmesi durumlarında;*

**tüketici malın bedel iadesini, ayıp oranında bedel indirimini veya imkân**

**varsa malın ayıpsız misli ile değiştirilmesini satıcıdan talep edebilir.**

*Satıcı, tüketicinin talebini reddedemez. Bu talebin yerine getirilmemesi*

*durumunda satıcı, üretici ve ithalatçı müteselsilen sorumludur.*

*Satıcı tarafından **Garanti Belgesinin** verilmemesi durumunda, tüketici **Gümrük ve Ticaret Bakanlığı Tüketicinin Korunması ve Piyasa Gözetimi Genel Müdürlüğüne** başvurabilir.*

*Tüketici, çıkabilecek uyuşmazlıklarda şikayet ve itirazları konusundaki başvuruları*

*yerleşim yerinin bulunduğu veya tüketici işleminin yapıldığı yerdeki **Tüketici Hakem Heyetine***

*veya **Tüketici Mahkemesine** başvurabilir.*

EN

DA

NO

SV

FI

DE

FR

NL

IT

ES

PT

EL

TR

CS

HU

PL

EN

DA

NO

SV

FI

DE

FR

NL

IT

ES

PT

EL

TR

CS

HU

PL

# Index

<b>1</b>	<b>Úvod</b> .....	<b>279</b>
	1.1 Symboly použité k označení pokynů .....	279
<b>2</b>	<b>Bezpečnostní opatření a pracovní techniky</b> .....	<b>279</b>
<b>3</b>	<b>Popis</b> .....	<b>286</b>
	3.1 Použití.....	286
	3.2 Provozní prvky a přehled modelu .....	286
<b>4</b>	<b>Dříve, než začnete používat svou tlakovou myčku</b> .....	<b>287</b>
	4.1 Montáž držáků pro postřikový násadec .....	287
	4.2 Montáž háku pro hadici (modely bez navijáku na hadice).....	287
	4.3 Montáž držadla hadicového navijáku (modely s hadicovým hákem).....	287
	4.4 Montáž rychlospojky .....	288
	4.5 Vysokotlakou hadici namontujte na postřikovač .....	288
<b>5</b>	<b>Obsluha tlakové myčky</b> .....	<b>288</b>
	5.1 Připojení vysokotlaké hadice .....	288
	5.2 Montáž trysek postřikovacího nástavce.....	289
	5.3 Připojení vody.....	289
	5.4 Teleskopická rukojeť .....	289
	5.5 Spouštění a vypínání stroje (je-li připojen ke zdroji vody) .....	290
	5.6 Spouštění stroje (je-li připojen k otevřené nádobě (režim sání)) .....	290
	5.7 Regulace tlaku .....	291
	5.8 Provoz s čisticími prostředky .....	291
	5.9 Regulace tlaku / množství vody (pouze modely s tlačítkem regulace tlaku a objemu vody) .....	292
<b>6</b>	<b>Možnosti použití a pracovní postupy</b> .....	<b>292</b>
	6.1 Všeobecné.....	292
<b>7</b>	<b>Po použití tlakové myčky</b> .....	<b>293</b>
	7.1 Skladování myčky.....	293
	7.2 Svinutí elektrického kabelu a vysokotlaké hadice .....	293
	7.3 Skladování doplňků .....	293
<b>8</b>	<b>Údržba</b> .....	<b>294</b>
	8.1 Čištění vstupního filtru vody.....	294
	8.2 Čištění trysky .....	294
	8.3 Čištění otvorů stroje.....	294
	8.4 Mazání spojovacích článků.....	294
<b>9</b>	<b>Odstraňování poruch</b> .....	<b>295</b>
<b>10</b>	<b>Další informace</b> .....	<b>296</b>
	10.1 Záruční podmínky .....	296
<b>11</b>	<b>Hlavní technická data</b> .....	<b>296</b>
<b>12</b>	<b>Prohlášení</b> .....	<b>297</b>

# 1 Úvod

## 1.1 Symboly použité k označení pokynů

Všechny piktogramy na vysokotlakém mycím stroji a jeho částech jsou uvedeny a vysvětleny v tomto návodu.



Bezpečnostní pokyny označené tímto symbolem musí být dodrženy, aby se zabránilo zranění nebo vážnému poškození majetku.



Pozor tam, kde je riziko poškození stroje nebo jeho jednotlivých součástí.



Tento symbol označuje tipy a návody ke zjednodušení práce a zajištění bezpečného provozu vysokotlakého mycího stroje.

## 2 Bezpečnostní opatření a pracovní techniky



Než vysokotlaký čisticí stroj poprvé spustíte, musíte si pozorně přečíst tento návod k obsluze. Uchovejte si tyto pokyny pro pozdější použití.



### Výstraha:

- Vdechnutí aerosolu může být zdraví škodlivé. Kde je to možné, použijte zařízení pro zamezení vzniku nebo snížení tvorby aerosolů, např. ochranný kryt hubice. K ochraně proti aerosolům používejte respirační masku třídy FFP 2 nebo vyšší.
- Vysoký tlak vody generovaný strojem a elektrické připojení jsou zdroje nebezpečí.
- Zařízení nesmějí používat děti ani neškolený personál. Děti musejí být pod dohledem, aby bylo zajištěno, že si se zařízením nebudou hrát.
- Nepoužívejte zařízení v oblastech s výskytem osob, jež nejsou vybaveny ochranným oděvem.
- Před uvedením stroje do provozu ho pečlivě zkontrolujte na přítomnost vad. Pokud jste zjistili nějakou vadu, nespouštějte stroj, obraťte se na svého distributora Nilfisk. Izolace elektrického kabelu musí být bez závad a trhlin. Je-li elektrický kabel poškozen, zástupce Nilfisk jej vyměnit.
- Operátor a kdokoli v bezprostřední blízkosti místa čištění musí podniknout opatření k ochraně před zasažením drobnými úlomky vypuzenými během provozu.

EN

DA

NO

SV

FI

DE

FR

NL

IT

ES

PT

EL

TR

CS

HU

PL

EN

DA

NO

SV

FI

DE

FR

NL

IT

ES

PT

EL

TR

CS

HU

PL

- Vždy vytáhněte zástrčku ze zásuvky, když provádíte čištění, údržbu nebo výměnu dílů, nebo když stroj upravujete pro jinou funkci.
- Dodržujte bezpečnostní předpisy vydané, například, sdružením pro pojištění odpovědnosti zaměstnavatele, institucí sociálního zabezpečení, orgány pro bezpečnost a ochranu zdraví při práci nebo jinými organizacemi.



### Servis a náhradní díly

- Aby byla zajištěna bezpečnost stroje, používejte pouze originální náhradní díly od Nilfisk nebo schválené Nilfisk.
- Vysokotlaké hadice, šroubení a spojky jsou důležité pro bezpečnost stroje. Používejte pouze výrobcem doporučené hadice, šroubení a spojky.



### Fyzický, smyslový či duševní stav

- Toto zařízení není určeno pro použití osobami (včetně dětí) s omezenými fyzickými, smyslovými nebo mentálními schopnostmi, nebo osobami, které nemají dostatečné zkušenosti a znalosti. Jestliže se zařízením pracují osoby se sníženou fyzickou, smyslovou nebo mentální způsobilostí nebo s nedostatkem zkušeností a znalostí, musí být pod dohledem nebo poučeny ohledně bezpečného používání zařízení tak, aby si uvědomily související nebezpečí.



### Použití

Tento stroj byl vyvinut pro domácí a profesionální použití, jako jsou:

- domácí: auto, motorka, loď, karavan, přívěs, terasa/ příjezd/nábytek, sekačka na trávu.
- profesionální: čištění povrchů, aut, nákladních vozidel, lodí, náradí a zařízení.

Jakékoli jiné použití je považováno za nesprávné použití. Nilfisk nenese žádnou odpovědnost za jakékoli škody vyplývající z takového použití. Riziko takového



použití nese výhradně uživatel. Správné použití zahrnuje také správný provoz, servis a opravy, jak je uvedeno v tomto návodu.

EN

DA

NO

SV

FI

DE

FR

NL

IT

ES

PT

EL

TR

CS

HU

PL

## Oblečení a vybavení

Vždy dbejte na vlastní ochranu při provozu stroje.

- Noste obuv s protiskluzovou podrážkou.
- Při provozu používejte brýle, ochranu sluchu a ochranné oděvy.



## Doprava vysokotlakého mycího stroje

- Při přepravě stroje v nebo na vozidle musí stroj být zajištěn, např. popruhy, aby se nemohl převrátit nebo spadnout.
- Nilfisk doporučuje horizontální umístění stroje na zadní straně při transportu v nebo na vozidle.



## Čisticí přípravky

- Tento stroj je určen pro použití s čisticím prostředkem, který dodává nebo doporučuje Nilfisk. Použití jiných čisticích prostředků nebo chemikálií může nepříznivě ovlivnit bezpečnost stroje.



## Před spuštěním čisticího stroje

### Kontrola stroje

- Stroj nepoužívejte, pokud je poškozený napájecí kabel nebo důležité díly stroje, např. bezpečnostní zařízení, vysokotlaké hadice nebo stříkací rukojeť nebo jiné stříkací příslušenství.
- Spoušť stříkací rukojeti se po uvolnění musí snadno a automaticky vrátit do své výchozí polohy po uvolnění.
- Vždy mějte tlakovou hadici a rozprašovač v dobrém stavu (čisté, snadno se pohybující) a správně smontovány.

EN

DA

NO

SV

FI

DE

FR

NL

IT

ES

PT

EL

TR

CS

HU

PL



## Elektrické připojení

### VÝSTRAHA!

Minimalizujte riziko úrazu elektrickým proudem:

- Napětí a frekvence stroje (viz výkonový štítek) musí odpovídat napětí a frekvenci přívodu energie.
- Připojujte zařízení pouze k elektrické instalaci provedené certifikovaným elektrikářem v souladu s normou IEC 60364-1.
- Doporučuje se, aby elektrické připojení tohoto stroje zahrnovalo proudový chránič, který přeruší dodávku energie, jestliže svodový zemní proud překročí 30 mA po dobu 30 ms.
- Použijte motorové jištění se zpožděným vybavením s charakteristikou C nebo D dle normy IEC/EN 60898-1 / IEC 947-2 nebo dle odpovídajících norem mimo IEC.
- Vzhledem k vysoké spotřebě energie stroje je nutná vhodná síťová pojistka.
- Nevhodné prodlužovací kabely mohou být nebezpečné. Pokud se používá prodlužovací kabel, musí být vhodný pro venkovní použití, přípojka musí být udržována v suchu a nesmí ležet na zemi.
- Nilfisk doporučuje používat bubnový prodlužovací kabel se zásuvkou nejméně 60 mm nad zemí.
- Jestliže je napájecí kabel poškozený, musí být vyměněn servisním zástupcem Nilfisk nebo podobně kvalifikovanou osobou, aby se vyloučilo nebezpečí.
- Při připojení vysokotlakého čisticího zařízení k napájecí síti je max. přípustná impedance 0,4023 Ω (Z<sub>max</sub>). Poradte se s dodavatelem elektřiny, zda je zařízení připojeno pouze k napájení s touto nebo nižší impedancí.



### Připojení vody

- Tento vysokotlaký čisticí stroj se smí připojovat k rozvodu pitné vody pouze tehdy, když byl namontován vhodný prvek k prevenci zpětného proudu. Typ BA podle normy EN 60335-2-79.

- Prvek k prevenci zpětného proudu je možné objednat pod čísly 106411177.
- Jakmile pitná voda proteče přes zpětnou klapku, už ji nelze považovat za pitnou vodu.
- Provoz odsátím (například nádrž na dešťovou vodu) se provádí bez zpětné klapky – viz „Připojení na nízkotlaký rozvod vody“. Stroj může být připojen k rozvodu vody s max. vstupním tlakem 1 MPa/10 barů a max. 60 °C.

## Bezpečnostní zařízení

### Pojistka na stříkací pistoli:

- Stříkací pistole je vybavena pojistkou. Při aktivaci zárazky nelze stříkací pistoli používat.

### Tepelný snímač:

- Se samočinným obnovením výchozího nastavení Tepelný snímač zajišťuje ochranu motoru před přetížením. Stroj se opět spustí po několika minutách, jakmile tepelný snímač vychladne.
- Bez samočinného obnovení výchozího nastavení (pouze pro model MC2C US)  
Je nutný ruční postup obnovení výchozího nastavení. Ruční postup spočívá v odpojení spotřebiče od napájecí sítě.



### Pozor:

Aby se předešlo nebezpečí způsobenému neúmyslným obnovením výchozího nastavení tepelné pojistky, nesmí být tento spotřebič napájen prostřednictvím externího spínacího zařízení, jako je časový spínač, nebo připojen k obvodu, který je pravidelně zapínán a vypínán ze sítě.

### Tlakové bezpečnostní zařízení:

- Integrovaný hydraulický pojistný ventil chrání systém před nadměrným tlakem.

EN

DA

NO

SV

FI

DE

FR

NL

IT

ES

PT

EL

TR

CS

HU

PL

EN

DA

NO

SV

FI

DE

FR

NL

IT

ES

PT

EL

TR

CS

HU

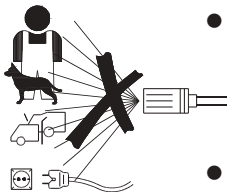
PL



## Při práci

### VÝSTRAHA!

- Není dovoleno čistit povrchy s obsahem azbestu vysokým tlakem.
- Nebezpečí výbuchu – nestříkejte hořlavé kapaliny.
- Nikdy nepoužívejte tekutiny obsahujících rozpouštědla (např. benzín, topný olej, ředidlo nebo aceton). Tyto látky poškozují materiály použité v stroji. Sprej je vysoce hořlavý, výbušný a jedovatý.
- Nikdy nesměřujte proud vody na sebe, ostatní osoby, a to ani k čištění oblečení nebo obuvi – **nebezpečí poranění**.
- Nikdy nesměřujte proud vody na domácí a jiná zvířata.
- Nikdy nesměřujte proud vody na zapnuté elektrické zařízení nebo samotný stroj – nebezpečí zkratu.
- Při aktivaci spouště stříkací pistole během provozu působí na stříkací násadec tlak silou až 27,4 N a náhlý točivý moment.
- Tento vysokotlaký mycí stroj nesmí být provozován při teplotách pod 0 °C.
- Nikdy nespouštějte zamrzlý stroj. Poškození mrazem není kryto zárukou.
- Vždy si zajistěte pevnou půdu pod nohama.
- Stroj musí být provozován ve svislé poloze.
- Pokud stroj 5 minut nepoužíváte, nebo jej necháte o samotě, je třeba jej vypnout spínačem start/stop „O“ (1).



## Po dokončení práce

### VÝSTRAHA!

- Vždy vypněte stroj a odpojte napájecí kabel ze zásuvky po práci a pokud necháváte vysokotlaký mycí stroj bez dozoru.
- Odpojte přívodní hadici mezi strojem a rozvodem vody.
- Vždy vyprázdněte čerpadlo, hadici a příslušenství po použití stroje a před uložením.



## Údržba a opravy

### VÝSTRAHA!

- Vždy odpojte elektrickou zástrčku ze zásuvky před údržbou, čištěním a opravami.
- Jakékoli opravy musí vždy být provedeny v autorizovaném servisu Nilfisk s originálními náhradními díly Nilfisk.
- Nepokoušejte se provádět žádnou údržbu která není popsána v návodu.
- Jestliže stroj není možné spustit, zastavuje se nebo vibruje, jestliže kolísá tlak, motor se zadržává, vypadává pojistka nebo nevytéká voda, podívejte se na přehled pro odstraňování závad v návodu k obsluze. Pokud se vyskytnou jiné problémy, kontaktujte prosím místního zástupce společnosti Nilfisk.
- Čištění a uživatelskou údržbu přístroje nesmějí děti provádět bez dohledu.



### Správná likvidace tohoto výrobku

Toto označení znamená, že výrobek nemá být na území celé EU likvidován spolu se směsným komunálním odpadem. K zamezení možným škodám na životním prostředí či lidském zdraví nekontrolovanou likvidací odpadu výrobek odpovědně recyklujte a podpořte udržitelné opětovné využití materiálových zdrojů. Chcete-li použité zařízení vrátit, využijte systém vrácení a sběru nebo se obraťte na prodejce, u něhož jste výrobek zakoupili. Prodejci mohou výrobek převzít k ekologicky bezpečné recyklaci.

EN

DA

NO

SV

FI

DE

FR

NL

IT

ES

PT

EL

TR

CS

HU

PL

EN

## 3 Popis

DA

NO

SV

FI

DE

FR

NL

IT

ES

PT

EL

TR

CS

HU

PL

### 3.1 Použití

Tento vysokotlaký mycí stroj byl vyvinut pro poloprofesionální běžné čištění:

- *Profesionální řemeslné práce, čištění vozidel, lodí, karavanů a drobné čistící práce – v budovách a stavbách*

Popis použití vysokotlaké myčky pro různá čištění naleznete v kapitole 5.

Vysokotlakou myčku používejte pouze pro účely popsané v této příručce.

Bezpečnostní opatření je třeba dodržovat pro zabránění poškození stroje, čištěného povrchu nebo zranění osob.

### 3.2 Provozní prvky a přehled modelu



Viz vyobrazení na konci tohoto návodu.

- 1 Spínač zap/vyp
- 2 Vstup vody (s filtrem)
- 3 Připojení vysokého tlaku (pouze modely bez bubnu pro navíjení hadice)
- 4 Vysokotlaká hadice
- 5 Elektrický kabel
- 6 Regulace tlaku / objemu vody (není součástí standardní výbavy)
- 7 Ergo 2000 stříkací pistole s aretací
- 8 Flexopower Plus nastavci
- 9 Stříkací násadec 4-v-1 (modely T a XT)
- 10 Snímatelná nádobka na čistící prostředek

- 11 Náradí pro čištění trysky
- 12 Hadicový naviják (není běžně součástí)
- 13 Hák na hadici (pouze modely bez bubnu pro navíjení hadice)
- 14 Tovární štítek
- 15 Tlačítko pro teleskopickou rukojeť
- 16 Držadlo vozíku (teleskopická rukojeť)
- 17 Otočný kabelový hák

**Specifikace:** Viz tovární štítek (14) na stroji.

Vyhrazujeme si právo měnit specifikace.

# 4 Dříve, než začnete používat svou tlakovou myčku

EN

DA

NO

SV

FI

DE

FR

NL

IT

ES

PT

EL

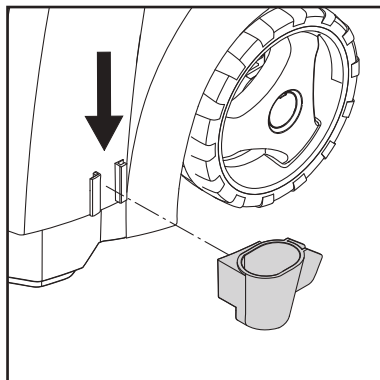
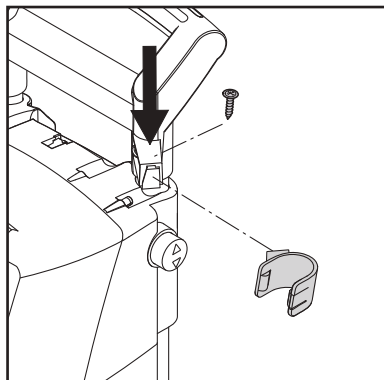
TR

CS

HU

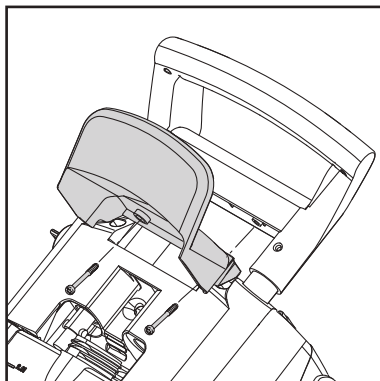
PL

## 4.1 Montáž držáků pro postřikový násadec



Připevněte na stroj držáky pro postřikový násadec.

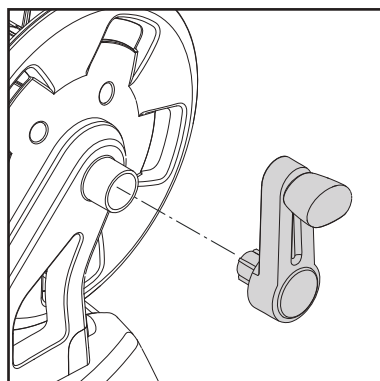
## 4.2 Montáž háku pro hadici (modely bez navijáku na hadice)



Namontujte hák pro hadici (13) na stroj (2 šrouby).

**POZN.:** Hák hadice lze namontovat na přední i na zadní část. Přední polohu je třeba použít v případě, že výrobek se používá spolu se zvláštní skobou do zdi k uskladnění.

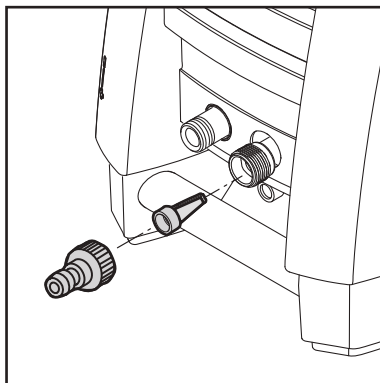
## 4.3 Montáž držadla hadicového navijáku (modely s hadicovým hákem)



Zaklapněte držadlo hadicového navijáku na držadlo vozíku (bez šroubů).

EN

#### 4.4 Montáž rychlospojky



Našroubujte rychlospojku pevně na vstup vody (2).

**POZN.:** V přívodní trubce musí být vždy umístěn vstupní filtr, aby filtroval větší nečistoty, které by jinak poškodily ventily čerpadla.



**Upozornění:**

Pokud filtr nena-  
montujete, bude  
záruka neplatná.

DA

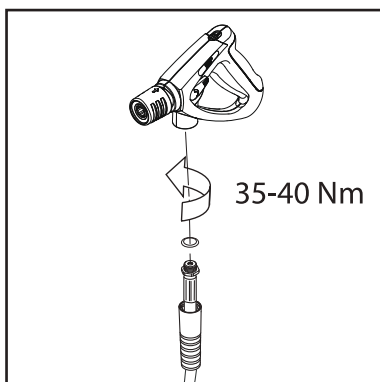
NO

SV

FI

DE

#### 4.5 Vysokotlakou hadici namontujte na



**postřikovač**

1. Namontujte vysokotlakou hadici (4) na postřikovač (7).

FR

NL

IT

ES

PT

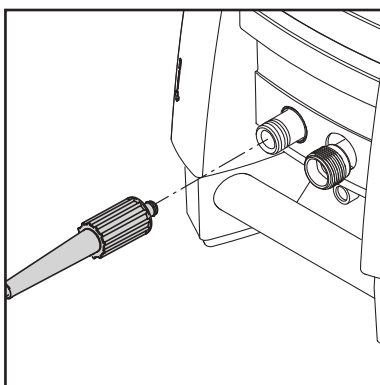
EL

## 5 Obsluha tlakové myčky

TR

CS

#### 5.1 Připojení vysokotlaké hadice



**Modely bez navijáku na hadice:**

Namontujte tlakovou hadici (4) na připojení pro vysokotlakou hadici (3).

Použijte pouze jednu prodlužovací hadici o max. délce 7 m.

**Modely s hadicovým hákem:**

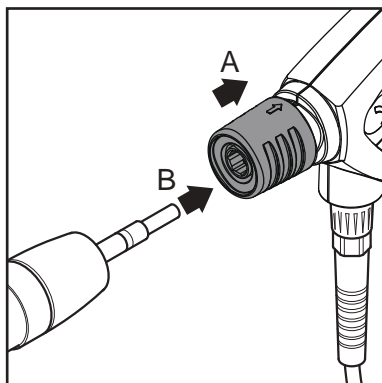
Vysokotlakou hadici úplně rozviňte.

HU

PL



## 5.2 Montáž trysek postřikovacího nástavce



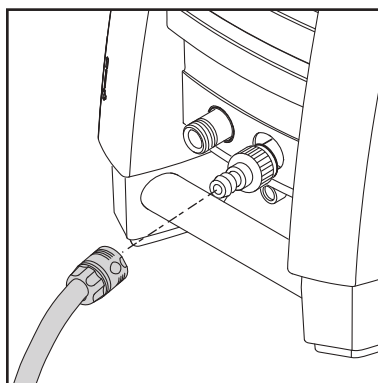
### UPOZORNĚNÍ!

Před spojením trubkovitého stříkacího nástavce se stříkací pistolí je nutno vždy očistit vsuvku od případných nečistot.

1. Odtáhněte zpět modrou rukojeť (A) rychlospojky stříkací pistole.
2. Vložte vsuvku postřikovacího nástavce (B) do spoje rychlospojky a uvolněním vraťte rukojeť zpět.
3. Tahem za postřikový násadec (nebo jiné příslušenství) zkontrolujte, zda je bezpečně připojen ke stříkací pistolí.

## 5.3 Připojení vody

Pro tento účel je vhodná běžná zahradní hadice 1/2" o délce **min. 10 m** a **max. 25 m** dlouhá.



**POZN.:** Připojení k vodovodnímu řadu je třeba provést dle předpisů.

### DŮLEŽITÉ! Používejte vodu pouze bez jakýchkoli nečistot.

Pokud existuje nebezpečí vtečení písku do vstupní vody (např. z vaší vlastní studny), je třeba namontovat další filtr.

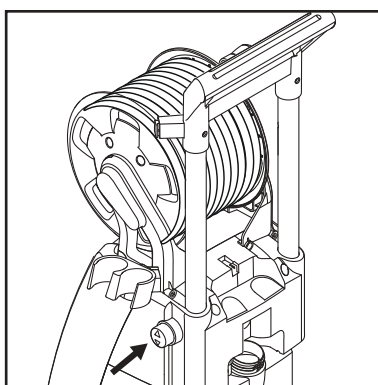
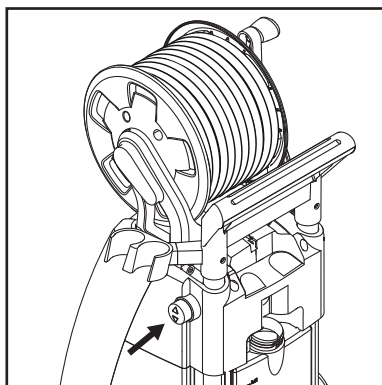
1. Než hadici připojíte ke stroji, nechte jí protékat vodu, aby do stroje nepronikl písek a nečistoty.



**POZN.:** Zkontrolujte, zda je ve vstupním potrubí vody osazen filtr a zda není zanesen.

2. K vodovodu připojte rychlospojku hadici (vstupní voda, max. tlak: 10 bar, max. teplota: 60 °C).
3. Zapněte přívod vody.

## 5.4 Teleskopická rukojeť



Stroj je vybaven teleskopickou rukojetí. Chcete-li rukojeť povytáhnout nebo zasunout, stiskněte knoflík (15) a rukojeť posuňte nahoru nebo dolů. Když uslyšíte cvaknutí, je rukojeť na svém místě.

EN

DA

NO

SV

FI

DE

FR

NL

IT

ES

PT

EL

TR

CS

HU

PL

EN

## 5.5 Spouštění a vypínání stroje (je-li připojen ke zdroji vody)

DA

NO

SV

FI

DE

FR

NL

IT

ES

PT

EL

TR

CS

HU


PL

## 5.6 Spouštění stroje (je-li připojen k otevřené nádobě (režim sání))



Na postříkový nástavec působí během provozu axiální tlak – proto jej vždy držte pevně oběma rukama.

### DŮLEŽITÉ! Miřte tryskou k zemi.

1. Zkontrolujte, zda je stroj v horizontální poloze.  
**POZN.:** Stroj nepokládejte do vysoké trávy!
2. Uvolněte pojistku spouštěče.
3. Aktivujte spouštěč stříkací rukojeti a nechte vodu téct, dokud neunikne veškerý vzduch z vysokotlaké hadice.
4. Otočte spínač start/stop (1) do polohy .
5. Aktivujte spouštěč stříkací pistole.

Vždy nastavujte vzdálenost a tudíž i tlak trysky na čišťený povrch.

Myčka může brát vodu napříkald z nádrže na dešťovou vodu. Hadice pro přívod vody nesmí být delší než cca 5 m.

Přesvědčete se, že nádrž s vodou není umístěna níže, než stroj.

Pokud voda obsahuje nečistoty, použijte externí filtr.

1. Ujistěte se, že je hadice na vodu zcela naplněná vodou, než ji připojíte ke stroji. Celou hadici umístěte do nádrže nebo kbelíku. Abyste se vyvarovali vylití vody, přívodní hadici ve vodě ohněte dolů, poté hadici

Stroj nepřikrývejte nebo neprovozujte v nedostatečně větraných prostorech!





**POZN.:** Pokud stroj 5 minut nepoužíváte, nebo jej necháte o samotě, je třeba jej vypnout spínačem start/stop „O“ (1):

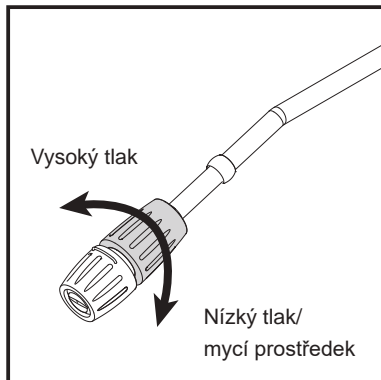
1. Otočte spínač start/stop (1) do polohy „O“.
2. Odpojte elektrickou zástrčku ze zásuvky.
3. Uzavřete přívod vody a aktivujte spouštěč, aby se zmírnil tlak ve stroji.
4. Stříkací pistoli uzamkněte

Po uvolnění spouštěče stříkací pistole se stroj automaticky vypne. Stroj se spustí znovu, když stříkací pistoli opět aktivujete.

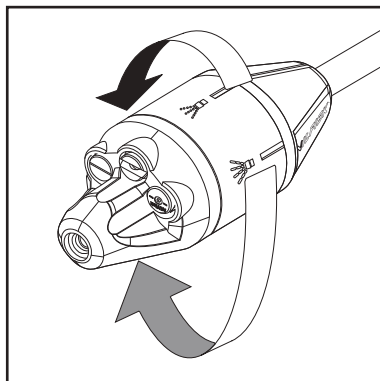
připojte ke stroji pomocí rychlospojky a nakonec přívodní hadici na vodu narovnejte.

2. Odmontujte stříkací rukojeť, násadec a hubici.
3. Otočte spínačem start/stop do polohy  a nechte vodu téct, dokud se hadice na vodu a čerpadlo neodvzdušní.
4. Otočte spínač start/stop (1) do polohy „O“.
5. Aktivujte spouštěč stříkací pistole.
6. Otočte spínač start/stop (1) do polohy .
7. Namontujte stříkací rukojeť a poté násadec.

## 5.7 Regulace tlaku

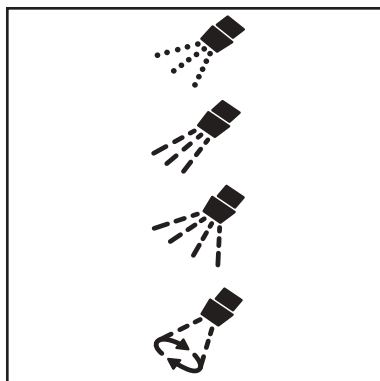


**Trysce Flexopower Plus**  
Tlak lze regulovat na trysce Flexopower Plus.



**Modely T a XT:**

**Stříkací násadec 4-v-1**  
Tlak lze regulovat u stříkacího násadce 4-v-1.



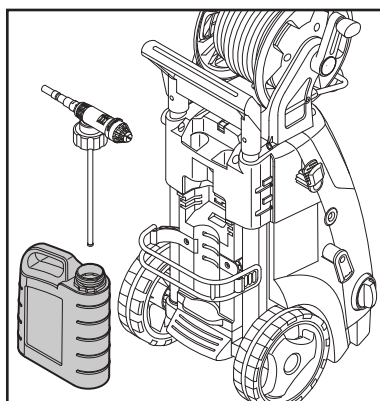
Nízký tlak / mycí prostředek

Tornado / vysoký tlak

Široký úhel / vysoký tlak

Turbohammer / vysoký tlak

## 5.8 Provoz s čistícími prostředky



1. Naplňte nádobu čistícím prostředkem.
2. Nanášejte čistící prostředek zesponu nahoru.
3. Nechte čistící prostředek působit po dobu uvedenou na jeho obalu a poté jej spláchněte čistou vodou nebo pomocí kartáče.

EN

DA

NO

SV

FI

DE

FR

NL

IT

ES

PT

EL

TR

CS

HU

PL

EN

### 5.9 Regulace tlaku / množství vody (pouze modely s tlačítkem regulace tlaku a objemu vody)

DA

NO

SV

FI

DE

FR

NL

IT

ES

PT

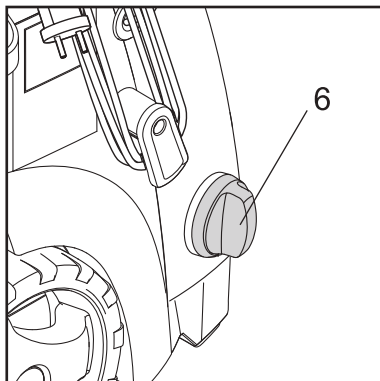
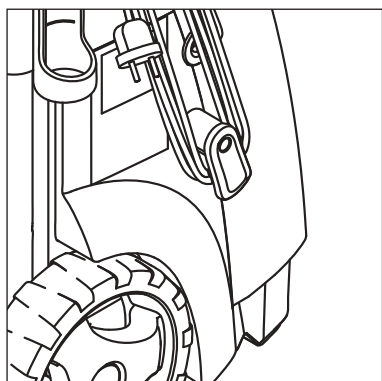
EL

TR

CS

HU

PL



Pracovní tlak a množství vody lze regulovat na stroji otáčením knoflíku pro regulaci tlaku / množství vody (6).

## 6 Možnosti použití a pracovní postupy

### 6.1 Všeobecné

Účinného vysokotlakého čištění dosáhnete, pokud se budete řídit několika následujícími pokyny v kombinaci se svou vlastní zkušeností s konkrétními čisticími procesy. Účinnost myčky mohou zvýšit dobře zvolené doplňky a čisticí prostředky. Níže najdete několik základních informací o čištění.

#### 6.1.1 Čisticí prostředek a pěna

Pěnu nebo čisticí prostředek je třeba nanášet na suché povrchy tak, aby se chemický prostředek dostal do přímého kontaktu s nečistotou. Čisticí prostředky se nanášejí zdola nahoru, např. u karoserie, aby nedocházelo ke vzniku „super čistých“ ploch, kde se čisticí prostředek shromažďuje ve vyšší koncentraci a stéká dolů. Před opláchnutím nechte čisticí prostředek působit několik minut, avšak nikdy jej nenechávejte na čištěném povrchu zaschnout. **POZN.:** Je důležité, aby čisticí prostředek nezaschl. Jinak může dojít k poškození čištěného povrchu.

#### 6.1.2 Mechanický účinek

Aby se porušily odolné vrstvy nečistot, je někdy zapotřebí zapůsobit mechanicky. Tento doplňkový účinek zajišťují speciální mycí kartáče, které odstraňují zažranou špínu, provozní nečistoty a podobně.

# 7 Po použití tlakové myčky

EN

DA

NO

SV

FI

DE

FR

NL

IT

ES

PT

EL

TR

CS

HU

PL

## 7.1 Skladování myčky



Stroj je třeba uskladnit v nemrzoucích prostorách! Před uskladněním stroje se ujistěte, ze se v čerpadle, hadici a ostatních dílech nenachází zbytky vody:

1. Vypněte motor (otočný spínač (1) do polohy „O“) a odmontujte přívodní hadici a ostatní doplňky.
2. Zapněte znovu motor a aktivujte spouštěč. Nechte stroj běžet, dokud všechna voda nevyteče z postřikovače.
3. Zastavte stroj, vytáhněte zástrčku ze zásuvky. Elektrický kabel omotejte okolo háků na boční straně stroje.
4. Rozpojte stříkací rukojeť a násadec.

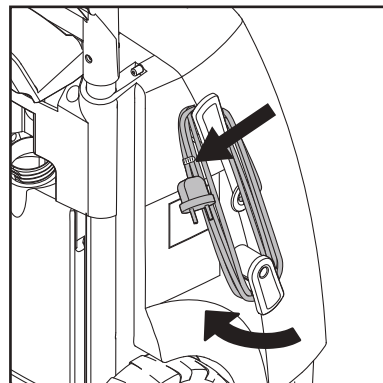
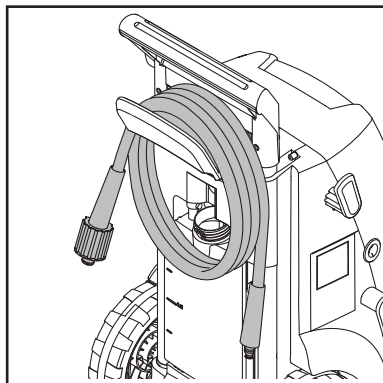
5. **Modely bez navijáku na hadice:** Odpojte tlakovou hadici, srolujte ji a uschovejte. **Modely s hadicovým hákem:** Tlakovou hadici omotejte na buben.
6. Postřikovač, hubice a další příslušenství umístěte na držáky na stroji.

Pokud by byl stroj omylem vystaven mrazu, nechte ho rozmraznout a zkontrolujte, zda není poškozený.

**ZMRZLÝ STROJ NIKDY NEZAPÍNEJTE.**

**Na škody způsobené mrazem se záruka nevztahuje!**

## 7.2 Svinutí elektrického kabelu a vysokotlaké hadice

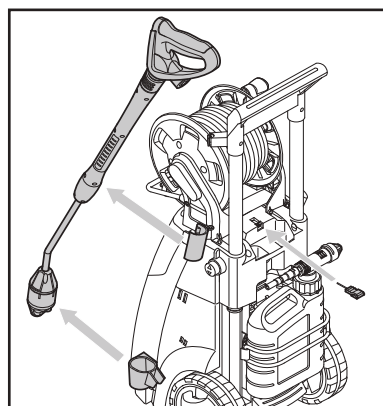


Aby nedošlo k nehodě, je třeba vždy pečlivě navinout jak

elektrický kabel, tak vysokotlakovou hadici.

1. Navíjete elektrický kabel na příslušné háčky. Vestavěné pouto pro spolehlivé přidržení. Elektrický kabel lze uvolnit otočením dolního háku
2. Vysokotlaká myčka se dodává ve dvou verzích: A) s hákem pro uložení vysokotlaké hadice (14) – B) s bubnem pro navíjení hadice (13).

## 7.3 Skladování doplňků



Standardní doplňky (stříkací pistole, postřikový nástavec a nástroj k čištění trysky) lze uložit na myčku.

EN

# 8 Údržba

DA

NO

SV

FI

DE

FR

NL

IT

ES

PT

EL

TR

CS

HU

PL



**VAROVÁNÍ** Elektrickou zástrčku před údržbou nebo čištěním vždy vytáhněte ze zásuvky.

Pro zajištění dlouhé a bezproblémové životnosti dodržujte laskavě následující rady:

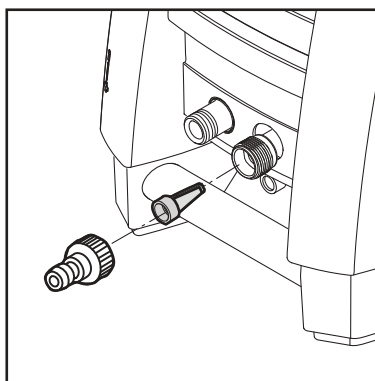
- Před montáží vypláchněte hadici, vysokotlakou hadici, postřikový nástavec a doplňky.

- Z konektorů očistěte prach a písek.
- Vyčistěte trysky.

Jakékoli opravy musí vždy provádět autorizovaná dílna s originálními náhradními díly.

## 8.1 Čištění vstupního filtru vody

Vodní filtr na vstupu čistěte pravidelně jednou měsíčně nebo

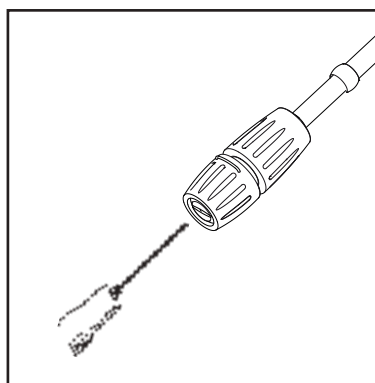


častěji podle použití. Opatrně uvolněte filtr kombinovanými kleštěmi a vyčistěte jej. Dříve, než jej namontujete zpět, zkontrolujte, zda je celistvý.

Uvnitř v přívodní trubce musí být vždy umístěný vstupní filtr, aby filtroval různé nečistoty, které by jinak poškodily ventily čerpadla.

**Upozornění:** Pokud filtr nena-  
montujete, bude záruka platná.

## 8.2 Čištění trysky



Zanesení trysky způsobuje příliš vysoký tlak v čerpadle. Proto je třeba provádět čištění ihned.

1. Vypněte stroj a odpojte trysku.
2. Vyčistěte trysku. **DŮLEŽITÉ!** Čisticí nástroj (11) se smí použít pouze je-li tryska odpojená!
3. Trysku propláchněte opačným směrem vodou.

## 8.3 Čištění otvorů stroje

Stroj je třeba udržovat v čistotě, aby chladicí vzduch mohl proudit volně průduchy.

## 8.4 Mazání spojovacích článků

K zajištění snadného spojení a toho, aby těsnící kroužky nevysychaly, je třeba pravidelně mazat spojovací články.

## 9 Odstraňování poruch

Aby nedocházelo ke zbytečnému zklamání, je třeba před kontaktováním servisní organizace Nilfisk-zkontrolovat následující:

Příznak	Příčina	Doporučené jednání
<b>Stroj nelze spustit</b>	Stroj není zapojen v síti Vadná zásuvka Vypálená pojistka Vadný prodlužovací kabel	Zapojte stroj. Vyzkoušejte jinou zásuvku. Vyměňte pojistku. Vypněte ostatní stroje. Vyzkoušejte bez prodlužovacího kabelu.
<b>Kolísavý tlak</b>	Čerpadlo nasává vzduch Ventily jsou špinavé, opotřebované nebo zanesené Opotřebované těsnění čerpadla	Zkontrolujte těsnost hadic a při-pojení. Vyčistěte a vyměňte nebo kontaktujte místního distributora Nilfisk.  Vyčistěte a vyměňte nebo kontaktujte místního distributora Nilfisk.
<b>Motor bzučí</b>	Nízké napětí nebo nízká teplota	Aktivujte spouštěč stříkací pistole.
<b>Stroj se zastavuje</b>	Vypálená pojistka Nesprávné napětí v síti  Tepelný snímač aktivován Tryska částečně zanesená	Vyměňte pojistku. Vypněte ostatní stroje. Zkontrolujte, zda napětí v síti odpovídá údajům na továrním štítku. Nechte myčku 5 minut chladnout. Vyčistěte trysku (viz kapitola 7.2).
<b>Spálená pojistka</b>	Pojistka příliš malá	Vyměňte za pojistku silnější než je jmenovitá hodnota proudu stroje. Zkuste použít stroj bez prodlužovacího kabelu.
<b>Stroj pulsuje</b>	Vzduch ve vstupní hadici/čerpadle  Nedostatečný přívod vody z vodovodního řádu  Tryska částečně zanesená Zanesený vodní filtr Zauzlená hadice	Nechte stroj běžet s otevřeným spouštěčem, dokud se neobnoví normální provozní tlak. Zkontrolujte, zda přívod vody odpovídá požadovaným údajům (viz tovární štítek) <b>POZN.!</b> Nepoužívejte dlouhé, tenké hadice (min. 1/2"). Vyčistěte trysku (viz kapitola 7.2). Vyčistěte filtr (viz kapitola 7.1). Hadici narovnejte.
<b>Stroj se často spouští a vypíná sám od sebe</b>	Čerpadlo/stříkací pistole netěsní	Kontaktujte nejbližší servis Nilfisk Centre.
<b>Stroj se spustí, ale voda nevytéká</b>	Čerpadlo/hadice nebo příslušenství jsou zamrzlé Bez přívodu vody Zanesený vodní filtr Zanesená tryska	Počkejte, než čerpadlo/hadice/příslušenství rozmrznou. Připojte přívod vody. Vyčistěte filtr (viz kapitola 7.1). Vyčistěte trysku (viz kapitola 7.2).
<b>Tlak v čerpadle klesá</b>	Tlačítko pro regulaci tlaku. / množství vody nesprávně nastaveno	Nastavte tlačítko na správný provozní tlak.

V případě jiných potíží než jsou výše uvedené kontaktujte laskavě svého místního distributora firmy Nilfisk.

EN

DA

NO

SV

FI

DE

FR

NL

IT

ES

PT

EL

TR

**CS**

HU

PL

EN

# 10 Další informace

DA

NO

## 10.1 Záruční podmínky

V případě potřeby provedení servisu a údržby kontaktujte prodejce.

SV

FI

DE

# 11 Hlavní technická data

FR

NL

IT

ES

PT

EL

TR

CS

HU

PL

Typ		MC2C-60/520 XT US-CAN	MC2C-80/520 T	MC2C-120/520 T	MC2C-120/520 XT	MC2C-140/610 XT	MC2C-140/610 P	MC2C-150/650	MC2C-140/650 (EXPT)	MC2C-150/650 XT
Jmenovitý tlak	bar/MPa	60/6,0	80/8,0	120/12	120/12	140/14	140/14	150/15	140/14	150/15
Působení čištění	kg/síla	2	2	2,2	2,2	2,5	2,5	2,9	2,9	2,9
Objem vody	Qmax/ QIEC l/min.	2,3/2,2 gallon	8,7/8,2	8,7/7,8	8,7/7,8	10,2/9,0	10,2/9,0	10,8/9,5	10,8/9,5	10,8/9,5
Napětí/fáze/ frekvence/proud	V/fáze/ Hz/A	120/1/ 60/15	115-127/1/ 60/15	230/1/ 50/10	230/1/ 50/10	230/1/ 50/12,6	230/1/ 50/12,6	230/1/ 50/14,5	220/1/ 60/14,5	230/1/ 50/14,5
Max. teplota vody	°C	60	60	60	60	60	60	60	60	60
Kabel	m	10	5	5	5	5	5	5	5	5
Čerpadlo	otáčky/min	3400	3400	2800	2800	2800	2800	2800	3400	2800
Velikost trysky	1/8"	0,475	0,475	0,340	0,340	0,340	0,370	0,340	0,350	0,340
Hladina akustického tlaku LpA	dB(A)	72 ±2	72 ±2	72 ±2	72 ±2	72 ±2	72 ±2	72 ±2	72 ±2	72 ±2
Hladina akustického výkonu LwA	dB(A)	89	86	86	86	86	86	88	88	88
Vibrace (ISO 5349)	m/s <sup>2</sup>	< 2,5	< 2,5	< 2,5	< 2,5	< 2,5	< 2,5	< 2,5	< 2,5	< 2,5
Hmotnost	kg	28,6	27,3	27,3	28,1	28,1	28,1	26,3	26,3	28,1



# 12 Prohlášení

My,

Nilfisk A/S  
Marmorvej 8  
2100 Copenhagen Ø  
DÁNSKO

Tímto na naši výhradní odpovědnost prohlašujeme, že

produkty: HPW – Professional – Mobile – EI – CW

Popis: 230 V, 50 Hz, IPX5

Typ: MC2C-120/520 T, -120/520 XT, -140/610 XT, -150/650 XT, -140/650 EXPT

jsou v souladu s následujícími normami:

EN 60335-1:2012+A11:2014+A13:2017+A1:2019+A14:2019+A2:2019+A15:2021+A16:2023

EN 60335-2-79:2012

EN 55014-1:2021

EN 55014-2:2021

EN 61000-3-2:2019+A1:2021

EN 61000-3-11:2019

EN 63000:2018

následujícími harmonizačními právními předpisy Unie:

2006/42/ES

2014/30/EU

2011/65/EU

2000/14/ES – Postup posuzování shody podle přílohy V.

– Naměřená hladina akustického výkonu: 86-88 dB(A);

Garantovaná hladina akustického výkonu: 89-91 dB(A)

Broendby, 2024-01-02

*Wei Hua (Warner) Guo*

Warner Guo, VP R&D, Head of Competence Center APAC • R&D

EN

DA

NO

SV

FI

DE

FR

NL

IT

ES

PT

EL

TR

**CS**

HU

PL

EN

DA

NO

SV

FI

DE

FR

NL

IT

ES

PT

EL

TR

CS

HU

PL

# Tartalomjegyzék

<b>1</b>	<b>Bevezető</b> .....	<b>299</b>
	1.1 Az utasításokat jelölő szimbólumok.....	299
<b>2</b>	<b>Biztonsági előírások és használati módok</b> .....	<b>299</b>
<b>3</b>	<b>Leírás</b> .....	<b>306</b>
	3.1 Alkalmazás .....	306
	3.2 Kezelőelemek és alkatrészek .....	306
<b>4</b>	<b>Mielőtt a nagynyomású mosót használatba venné</b> .....	<b>307</b>
	4.1 A szórócső tartók felszerelése .....	307
	4.2 A tömlőakasztó felszerelése (csak a tömlődob nélküli típusok).....	307
	4.3 A tömlődob felerősítése (tolókocsis típusoknál) .....	307
	4.4 A gyorscsatlakozó felerősítése .....	308
	4.5 A nagynyomású tömlő felszerelése a szórópisztolyra .....	308
<b>5</b>	<b>A nagynyomású mosó használata</b> .....	<b>308</b>
	5.1 A nagynyomású tömlő csatlakoztatása .....	308
	5.2 A szórócső szórópisztolyhoz való csatlakoztatása .....	309
	5.3 Csatlakozás a vízvezetékre .....	309
	5.4 Kihúzható fogantyú.....	310
	5.5 A készülék elindítása és leállítása (ha már van vízellátás).....	310
	5.6 Indítsa el a készüléket (ha nyílt tartályra van csatlakoztatva (szívás üzemmód)) .....	310
	5.7 Nyomásszabályozás.....	311
	5.8 Tisztítószer használata .....	311
	5.9 Nyomás- és vízmennyiség-szabályozás (csak nyomás- és vízmennyiség-szabályozó gombbal rendelkező típusok) .....	312
<b>6</b>	<b>Alkalmazási terület és munkamódszerek</b> .....	<b>312</b>
	6.1 Általános.....	312
<b>7</b>	<b>A nagynyomású mosó használata után</b> .....	<b>313</b>
	7.1 A mosó tárolása.....	313
	7.2 Az elektromos kábel és a nagynyomású tömlő felcsévézése.....	313
	7.3 A tartozékok tárolása .....	314
<b>8</b>	<b>Karbantartás</b> .....	<b>314</b>
	8.1 A vízbemenet szűrőjének tisztítása .....	314
	8.2 A fúvóka tisztítása.....	315
	8.3 A készülék szellőzőnyílásainak tisztítása .....	315
	8.4 A csatlakozók kenése .....	315
<b>9</b>	<b>Hibaelhárítás</b> .....	<b>316</b>
<b>10</b>	<b>További információk</b> .....	<b>317</b>
	10.1 Garanciafeltételek.....	317
<b>11</b>	<b>Főbb műszaki adatok</b> .....	<b>317</b>
<b>12</b>	<b>Nyilatkozat</b> .....	<b>318</b>

# 1 Bevezető

## 1.1 Az utasításokat jelölő szimbólumok

Ez az útmutató a nagynyomású mosón és alkatrészein használt összes piktogramot bemutatja és elmagyarázza.



Az ezzel a szimbólummal jelölt biztonsági előírásokat be kell tartani a személyi sérülések vagy eszközök rongálódásának elkerülésére.



Legyen óvatos ott, ahol fennáll a készülék vagy a részegységei rongálódásának veszélye.



Ezzel a szimbólummal olyan hasznos tudnivalókat és előírásokat jelölünk, amelyekkel a nagynyomású mosóval végzett munka hatékonyabban és biztonságosabban végezhető.

## 2 Biztonsági előírások és használati módok



Mielőtt először bekapcsolja a készüléket, olvassa el figyelmesen ezt a használati útmutatót. Tegye az útmutatót olyan helyre, ahol később is megtalálja.



### Vigyázat!

- Az aeroszokok belélegzése ártalmas lehet az egészségre. Ahol lehet, használjon olyan berendezést, amivel elkerülhető az aeroszokok képződése, pl. egy fűvókát körülvevő lemezt. Az aeroszokok elleni védelemhez használjon FFP 2 vagy magasabb osztályú légzésvédő maszkot.
- A készülék által előállított magas nyomás és az elektromos hálózati kapcsolat kifejezett veszélyforrást jelentenek.
- A készülékeket gyermekek és felkészületlen személyek nem használhatják. A gyermekeket nem szabad felügyelet nélkül hagyni, nehogy játsszanak a géppel.
- Védőruházatot nem viselő személyek közelében tilos a készülék használata.
- A készülék beindítása előtt gondosan ellenőrizze, hogy vannak-e hibái. Ha akár egyet is észlel, ne indítsa be a készüléket, hanem keresse meg Nilfisk viszonteladóját. Az elektromos kábel szigetelésének hibátlannak és repedésmentesnek kell lennie. Ha az elektromos kábel megrongálódott, hivatalos Nilfisk viszonteladónál cseréltesse ki.
- Mindig húzza ki a dugvillát tisztítás vagy karbantartás előtt, alkatrészek cseréjekor vagy ha a készüléket más funkcióra alakítja át.

EN

DA

NO

SV

FI

DE

FR

NL

IT

ES

PT

EL

TR

CS

HU

PL

EN

DA

NO

SV

FI

DE

FR

NL

IT

ES

PT

EL

TR

CS

HU

PL

- Tartsa be a helyileg hatályos biztonsági előírásokat, amelyeket például a munkáltató felelősségbiztosítója, a társadalombiztosító intézet, a foglalkoztatás-egészségügyi hivatal vagy egyéb szervezet ír elő.



### Felszerelés és pótalkatrészek

- A gép biztonsága érdekében csak eredeti Nilfisk vagy a Nilfisk által engedélyezett pótalkatrészeket szabad használni.
- A nagynyomású tömlők, szerelvények és csatlakozók fontosak a gép biztonsága szempontjából. Kizárólag Nilfisk által javasolt tömlőket, szerelvényeket és csatlakozókat használjon.



### Fizikai, érzékszervi vagy mentális feltételek

- A készüléket nem használhatják olyan személyek (beleértve a gyermekeket), akik fizikai, érzékszervi vagy mentális adottságaiknál fogva, illetve kellő ismeretek és tapasztalat. Ha a készüléket olyan személyek használják, akik csökkent fizikai, érzékszervi vagy mentális adottságokkal rendelkeznek, vagy hiányoznak a kellő ismereteik és tapasztalataik, akkor felügyeletet vagy betanítást kell biztosítani számukra a gép biztonságos használatát, valamint az ezzel kapcsolatos veszélyeket illetően.



### Alkalmazások

Ezt a gépet háztartási és professzionális használatra fejlesztették ki, például:

- háztartási: autó, motorbicikli, csónak, lakókocsi, utánfutó, terasz/kocsifelhajtó/bútor, fűnyíró.
- professzionális: felületek, autók, teherautók, csónakok, szerszámok és felszerelések tisztítása.

Minden más használat nem rendeltetésszerű használatnak minősül. A Nilfisk nem vállal felelősséget az ilyen használatból eredő károkért. Az ilyen használat kockázata kizárólag a felhasználót terheli. A rendeltetésszerű használatához hozzátartozik az ebben az útmutatóban meghatározott rendeltetésszerű üzemeltetés, szervizelés és javítás is.

## Ruházat és felszerelés

A készülék működtetésekor mindig viseljen védőfelszerelést.

- Viseljen csúszásmentes talpú cipőt.
- Használat közben viseljen védőszemüveget, fülvédőt és védőruházatot



## A nagynyomású mosó szállítása

- Ha a készüléket járműben vagy járművön szállítja, biztosítsa ki például pántokkal, hogy ne csúszkáljon vagy ne boruljon fel.
- Járművön szállításhoz a Nilfisk azt javasolja, hogy a készüléket a hátoldalán vízszintesen szállítsák.



## Tisztítószer

- Ezt a készüléket a Nilfisk által biztosított vagy ajánlott tisztítószerekkel való használatra terveztük. Másfajta tisztítószer vagy vegyszerek használata károsan befolyásolhatja a készülék működését.



## A munka megkezdése előtt

### A készülék ellenőrzése

- Ne használja a készüléket, ha a tápkábel vagy a készülék valamely fontos alkatrésze sérült, például a biztonsági berendezések, a nagynyomású tömlő, a szórómarkolat és a szórófej.
- A szórómarkolat ravaszának könnyű járásúnak kell lennie, kiengedés után vissza kell térnie az alaphelyzetébe.
- A nagynyomású tömlőt és a szórófejet mindig tartsa jó állapotban (tisztán, könnyen mozgathatóan) és helyesen összeszerelve.



## Elektromos csatlakozás

### Vigyázat!

Csökkentse a legkisebbre az áramütés veszélyét:

- A készülék tápfeszültsége és frekvenciája (lásd az adattáblát) feleljen meg a helyi elektromos hálózat tápfeszültségének és frekvenciájának.

EN

DA

NO

SV

FI

DE

FR

NL

IT

ES

PT

EL

TR

CS

HU

PL

EN

DA

NO

SV

FI

DE

FR

NL

IT

ES

PT

EL

TR

CS

HU

PL

- A készüléket csak olyan elektromos szerelvényhez csatlakoztassa, amelyet képesített villanszerelő készített el, az IEC 60364-1 szabvány szerint.
- Javasoljuk, hogy a készülék tápáramkörébe szereljenek hibaáram-védőkapcsolót, amely megszakítja az áramellátást, ha a hibaáram 30 milliszekundumon át meghaladja a 30 mA-t.
- Použijte motorové jištění se zpožděným vybavením s charakteristikou C nebo D dle normy IEC/EN 60898-1 / IEC 947-2 nebo dle odpovídajících norem mimo IEC.
- A gép nagy energiafogyasztása miatt megfelelő hálózati biztosítékra van szükség.
- A nem megfelelő hosszabbító kábelek veszélyesek lehetnek. Ha a készülékhez hosszabbító kábelt használ, az legyen alkalmas kültéri használatra, a csatlakozót pedig szárazon kell tartani, úgy, hogy ne legyen a padlózatán.
- A Nilfisk javasolja, hogy kábeldobot használjon, ha hosszabbító kábelre van szükség, annak dugalja pedig legalább 60 mm-rel egyen a padlószint fölött.
- Ha a tápkábel sérült, akkor a veszélyek megelőzésére cseréltesse ki egy hivatalos Nilfisk viszonteladóval vagy hasonló szakemberrel.
- Nagynyomású mosó csatlakoztatása táphálózatra, a legnagyobb megengedett impedancia =  $0,4023 \Omega$  ( $Z_{max}$ ). Egyeztessen a szolgáltató képviselőjével, mivel a berendezés csak ilyen vagy ennél alacsonyabb impedanciájú hálózatra csatlakoztatható.



### Csatlakozás vízvezetékre

- Ennek a nagynyomású mosónak az ivóvízhálózatra történő csatlakoztatása csak akkor engedélyezett, ha a rendszer leválasztásáról egy BA típusú visszafolyásgátlóval, az EN 60335-2-79 szabvány szerint gondoskodtak.
- A visszafolyásgátló rendelési számai: 106411177.
- Ha ivóvíz folyik át a visszafolyásgátlón, már nem tekinthető ivóvíznek.

- Szivattyús üzemben (például esővízgyűjtő tartályból) nincs szükség visszafolyásgátlóra – lásd a „Csatlakozás nyomásmentes vízellátásra” fejezetet. The machine can be connected to water mains with a max. inlet pressure of 1 MPa/10 bars and max. 60 °C.

EN

DA

NO

SV

FI

DE

FR

NL

IT

ES

PT

EL

TR

CS

HU

PL

## Biztonsági eszközök

### Biztonsági zár a szórópisztolyon:

- A szórópisztolyon biztonsági zár található. A kilincs benyomásával a szórópisztoly nem működtethető.

### Hőérzékelő:

- Önvisszaállító  
Egy hőérzékelő védi a motort a túlterheléstől. A gép néhány perc múlva újraindul, amikor a hőérzékelő lehűlt.
- Nem önvisszaállító (csak az MC2C US modellhez)  
A visszaállításhoz kézi működtetés szükséges. A kézi működtetés azt jelenti, hogy a készüléket le kell választani az elektromos hálózatról.



### Vigyázat:

a hőkapcsoló véletlen visszaállításából adódó veszélyek elkerülése érdekében ezt a készüléket nem szabad külső kapcsolóeszközön, például időzítőn keresztül táplálni, vagy olyan áramkörhöz csatlakoztatni, amelyet a hálózat rendszeresen be- és kikapcsol.

### Nyomásbiztonsági készülék:

- A rendszert beépített hidraulikus biztonsági szelep védi a túlnyomástól.



## Munkavégzés közben

### Vigyázat!

- Azbeszttartalmú felületeket tilos nagy nyomással tisztítani.
- Robbanásveszély – Ne szórjon a készülékkel gyúlékony folyadékokat.
- Tilos a készülékbe vezetni oldószereket (pl. benzint, fűtőolajat, festékhígítót vagy acetont) tartalmazó folyadékot! Ezek az anyagok roncsolják a készülékben használt anyagokat. Permetük rendkívül éghető, robbanóképes és mérgező.

EN

DA

NO

SV

FI

DE

FR

NL

IT

ES

PT

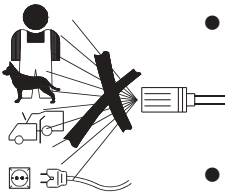
EL

TR

CS

HU

PL



- Ne irányítsa a vízugarat saját magára vagy másokra, még a ruházat vagy lábbeli tisztítása céljából sem – **fennáll a sérülés veszélye.**
- Ne irányítsa a vízugarat semmilyen állat felé.
- Ne irányítsa a vízugarat működő elektromos berendezésre vagy magára a mosóra – **fennáll a rövidzárlat veszélye.**
- A szórócsövet akár 27,4 N lökőerő valamint hirtelen nyomaték érheti, ha üzem közben a szórócső ravaszát működteti.
- A nagynyomású mosót tilos 0 °C hőmérséklet alatt működtetni.
- Ha a készülék befagyott, tilos elindítani! A fagykárookra nem terjed ki a garancia!
- A készülék felállítása mindig határozott és biztonságos legyen.
- A készüléket álló helyzetben kell működtetni.
- Ha a készüléket őrizetlenül hagyják vagy 5 percnél hosszabb ideig nem használják, akkor ki kell kapcsolni a ki/be kapcsolóval (állítsa a kapcsolót „O” állásba (1)).



## A munka végén

### VIGYÁZAT!

- Ha a munkát befejezte, vagy őrizetlenül hagyja a gépet, mindig kapcsolja ki a készüléket és húzza ki az aljzatból a tápkábelt.
- Szerelje le a készülék és a vízellátás közötti vízbevezető tömlőt.
- Használat után és tárolás előtt mindig ürítse ki a szivattyút, a tömlőt és a vízszervelévényeket.



## Javítás és karbantartás

### VIGYÁZAT!

- A tisztítógép karbantartása, tisztítása és javítása előtt mindig húzza ki a villamos csatlakozódugaszt az aljzatból.



- A javításokat csak hivatalos Nilfisk szerviz végezheti, eredeti Nilfisk pótalkatrészekkel.
- Ne kísérletezzen olyan karbantartással, amely nincs leírva az útmutatóban.
- Ha a készülék nem indul be, leáll, lüktetve működik, ingadozik a nyomás, búg a motor, kiég a biztosíték, vagy nem jön belőle víz, akkor nézzen utána a problémának a használati útmutató Hibaelhárítás részében. Ha egyéb probléma merül fel, forduljon egy Nilfisk márkakereskedőhöz.
- Tisztítást vagy felhasználói karbantartást ne végezzen felügyelet nélküli gyermek.



### **A termék megfelelő hulladékba juttatása**

Ez a jelölés azt jelzi, hogy a terméket nem szabad más háztartási hulladékkal együtt hulladékba juttatni az EU területén. Az ellenőrizetlen hulladékba juttatásból eredő környezeti ártalmak vagy egészségügyi kockázatok elkerülésére juttassa felelős magatartással újrahasznosító rendszerbe, az anyagi erőforrások fenntartható újrahasznosítása érdekében. Használt készülékének visszajuttatásához használja a visszajuttató és begyűjtő rendszereket, vagy lépjen kapcsolatba azzal a viszonteladóval, ahol a terméket vásárolta. A terméket viszonteladóink is átveszik a környezetbarát újrahasznosításhoz.

EN

DA

NO

SV

FI

DE

FR

NL

IT

ES

PT

EL

TR

CS

**HU**

PL

EN

## 3 Leírás

DA

NO

SV

FI

DE

FR

NL

### 3.1 Alkalmazás

Ez a nagynyomású mosó félprofesszionális használatra, rendszeres tisztítási feladatokra lett kifejlesztve:

- *Ipari célokra; járművek, hajók és lakókocsik tisztítására; épületekkel és berendezésekkel kapcsolatos kisebb tisztítási feladatokra*

Az 6. fejezet leírja, hogy hogyan kell a nagynyomású mosót különféle tisztítási feladatokra használni.

Csak a kézikönyvben leírt célokra használja a nagynyomású mosót!

Ha nem tartják be a biztonsági előírásokat, akkor károsodhat a készülék, a tisztítandó felület, vagy súlyos személyi sérülés keletkezhet.

### 3.2 Kezelőelemek és alkatrészek



Lásd a kézikönyv végén az ábrát

- 1 Ki/be kapcsoló
- 2 Vízbemenet (szűrővel)
- 3 Nagynyomású csatlakozás (csak a tömlődob nélküli típusok)
- 4 Nagynyomású tömlő
- 5 Elektromos kábel
- 6 Nyomás- és vízmennyiség-szabályozás (nem alapfelszereltség)
- 7 Szórópisztoly biztonsági zárral
- 8 Flexopower Plus szórócső
- 9 2 az 1-ben szórócső (T és XT típusok)

- 10 Levehető tisztítószer tartály
- 11 Fúvókatisztító
- 12 Tömlődob
- 13 Tömlőakasztó (csak a tömlődob nélküli típusok)
- 14 Adattábla
- 15 Gomb a kihúzható fogantyúhoz
- 16 Tolókocsi-fogantyú (kihúzható fogantyú)
- 17 Elfördíthető kábelakasztó

**Műszaki adatok:** Lásd a készülék adattábláját (14).

A műszaki paraméterek változtatásának jogát fenntartjuk.

IT

ES

PT

EL

TR

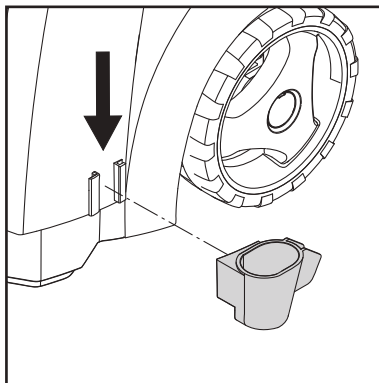
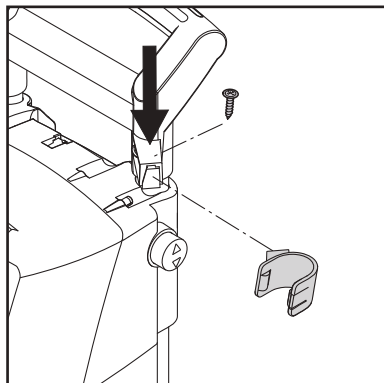
CS

HU

PL

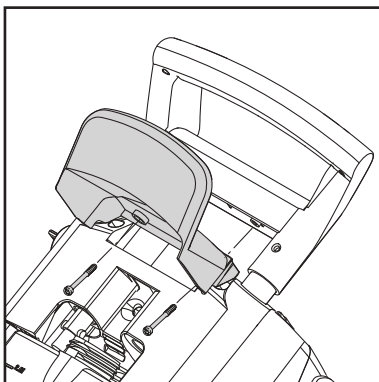
# 4 Mielőtt a nagynyomású mosót használatba venné

## 4.1 A szórócső tartók felszerelése



Szerelje fel a szórócső tartókat a készülékre.

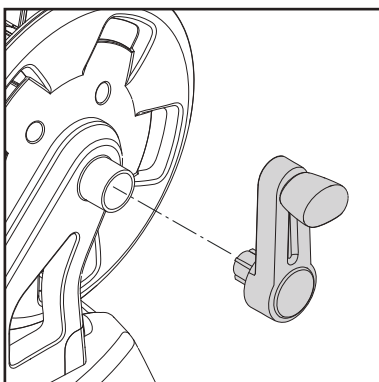
## 4.2 A tömlőakasztó felszerelése (csak a tömlődob nélküli típusok)



Erősítse fel a tömlőakasztót (13) a készülékre (2 csavar)

**Megjegyzés:** A tömlőakasztó előre és hátra is fel lehet erősíteni. Ha a speciális fali akasztót használják, akkor előre kell szerelni.

## 4.3 A tömlődob felerősítése (tolókocsi típusoknál)



1. Kattintsa a tömlődob fogantyúját a tolókocsi-fogantyúra (nem kell csavar).

EN

DA

NO

SV

FI

DE

FR

NL

IT

ES

PT

EL

TR

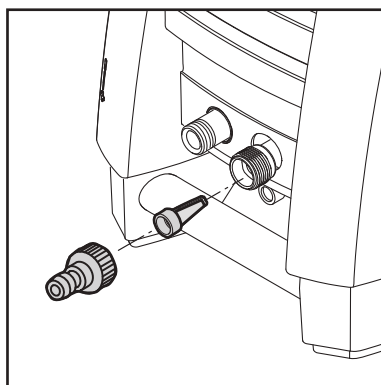
CS

**HU**

PL

EN

#### 4.4 A gyorscsatlakozó felerősítése



1. Csavarja be jól a gyorscsatlakozót a vízbemenetre (2).

**Megjegyzés:** A bemeneti szűrőt mindig a vízbevezető csőre kell szerelni, hogy kiszűrje a szivattyúszelepeket károsító durvább szennyeződések.



**Vigyázat:** Ha szűrő nélkül használják a készüléket, az a garancia elvesztésével jár.

DA

NO

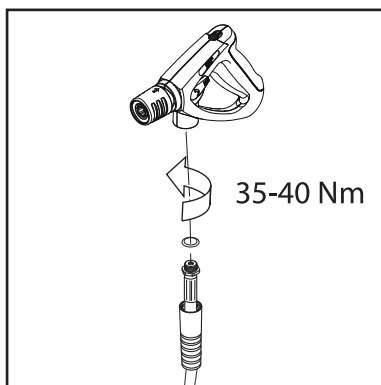
SV

FI

DE

FR

#### 4.5 A nagynyomású tömlő felszerelése a szórópisztolyra



1. Szerelje a nagynyomású tömlőt (4) a szórópisztolyba (7).

NL

IT

ES

PT

EL

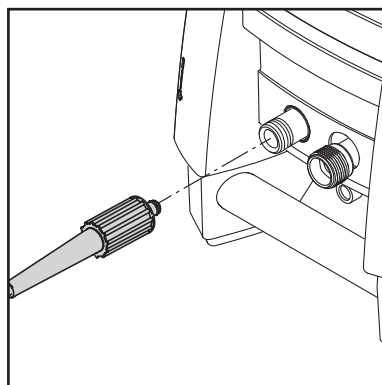
TR

## 5 A nagynyomású mosó használata

CS

HU

#### 5.1 A nagynyomású tömlő csatlakoztatása



**Csak a tömlődob nélküli típusok:**

Szerelje a nagynyomású tömlőt (4) a nagynyomású tömlő csatlakozójára (3).

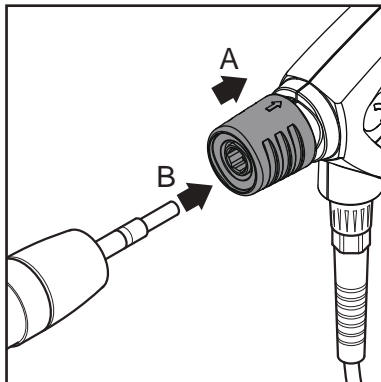
Egy max. 7 m hosszú hosszabító tömlőt szabad használni.

**Tolókcocsis típusoknál:**

Csévélje le egészen a nagynyomású tömlőt.

PL

## 5.2 A szórócső szórópisztolyhoz való csatlakoztatása



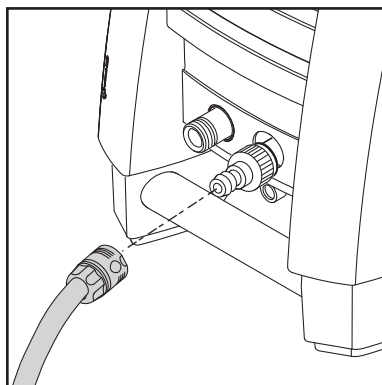
### MEGJEGYZÉS!

Mindig tisztítsa meg a karman-tyút az esetleges piszoktól, mielőtt a szórócsövet összeköti a szórópisztollyal.

1. Húzza ki a szórópisztoly gyorscsatlakozóján a kék csúszkát (A).
2. Helyezze be a szórócső csőkapcsolóját a gyorscsatlakozóba (B), és engedje el a csúszkát.
3. Meghúzással ellenőrizze, hogy a szórócső (vagy bármilyen más tartozék) megfelelően fel van-e szerelve a szórópisztolyra.

## 5.3 Csatlakozás a vízvezetékre

Erre a célra használhat egy közönséges 1/2" -os kerti locsolótömlőt. A tömlő hossza **10 m** és **25 m** között legyen!



### MEGJEGYZÉS:

Az elektromos hálózatra csatlakoztatásnál figyelembe kell venni a helyi előírásokat is.

**FONTOS! Csak tiszta, szennyeződésektől mentes vizet szabad használni.** Ha fennáll a veszélye annak, hogy homok kerül a bemenő vízbe (pl. saját kútból), akkor egy szűrőt kell a készülék elé szerelni.

1. Hagyja, hogy a víz átmossa a víztömlőt, mielőtt a készülékre csatlakoztatja, így megelőzhető, hogy homok vagy egyéb szennyeződés kerüljön a készülékbe.



### Megjegyzés:

Ellenőrizze, hogy a szűrő benne

van-e a vízbemenet csőben, és hogy nincs-e eltömődve.

2. Csatlakoztassa a víztömlőt a vízellátásra a gyorscsatlakozóval (a belépő víz max. nyomása: 10 bar, max. hőmérséklete: 60 °C).
3. Nyissa ki a vizet.

EN

DA

NO

SV

FI

DE

FR

NL

IT

ES

PT

EL

TR

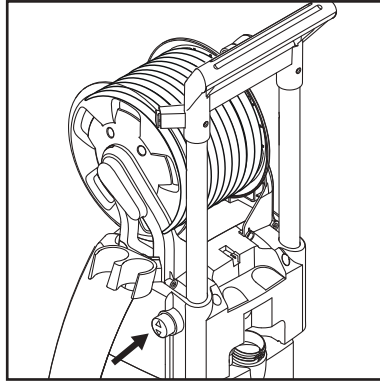
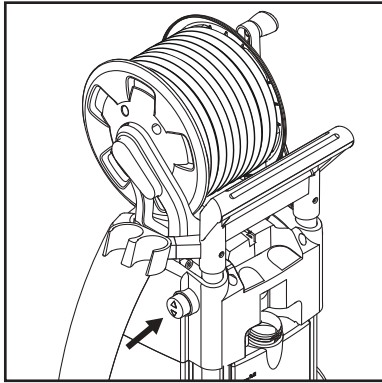
CS

HU

PL

EN

## 5.4 Kihúzható fogantyú



A készüléknek kihúzható fogantyúja van. A fogantyút a gomb megnyomása után lehet kihúzni vagy betolni. A fogantyú kattanással ugrik a helyére.

DA

NO

SV

FI

DE

## 5.5 A készülék elindítása és leállítása (ha már van vízellátás)

A szórócsőre működés közben különböző erők hatnak, ezért tartsa mindig erősen, két kézzel.

Ne takarja le a gépet és ne üzemeltesse azt nem kielégítően szellőztetett helyiségekben!

FR

NL

IT

ES

PT

EL

TR


CS

HU

PL



**FONTOS: Mutasson a fúvókával a föld felé.**

1. Ellenőrizze, hogy a készülék függőleges helyzetben van-e. **MEGJEGYZÉS:** A készüléket nem szabad nagy fűbe helyezni!
2. Oldja ki a biztonsági zárat.
3. Húzza meg a szórómarkolat ravaszát, és hagyja a vizet átfolyni, amíg a nagynyomású tömlőben rekedt levegő eltávozik.
4. Fordítsa a ki/be kapcsolót (1)  állásba.
5. Húzza meg a szórópisztolyon a ravaszt.

Mindig állítsa be a távolságot és a fúvóka nyomását a tisztítandó felületnek megfelelően.



**Megjegyzés:** Ha

a készüléket őrizetlenül hagyják

vagy 5 percnél hosszabb ideig nem használják, akkor ki kell kapcsolni a ki/be kapcsolóval (állítsa a kapcsolót „O” állásba (1):

1. Fordítsa a ki/be kapcsolót (1) „O” állásba.
2. Húzza ki a csatlakozódugaszt a konnektorból.
3. Zárja el a vízcsapot, és húzza meg a ravaszt, nyomásmentesítve ezzel a készüléket.
4. Zárja el a szórópisztolyt.

Ha felengedi a szórópisztoly ravaszát, a készülék magától leáll. Ha a szórópisztolyt újra aktiválja, a készülék újraindul.

## 5.6 Indítsa el a készüléket (ha nyílt tartályra van csatlakoztatva (szívás üzemmód))


A készülék fel tudja szívni a vizet például egy esővízzel telt víztartályból is. A vízbevezető tömlő nem lehet túl hosszú (körülbelül 5 m).

Vigyáznia kell, hogy a tartály ne legyen a készüléknél alacsonyabban.

Ha a víz szennyezett, használjon külső szűrőt.

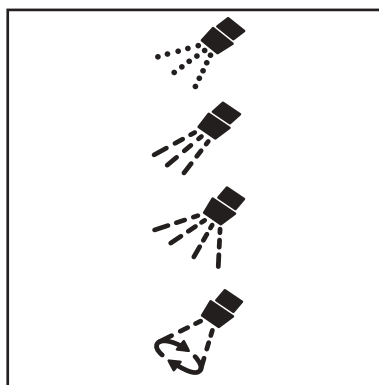
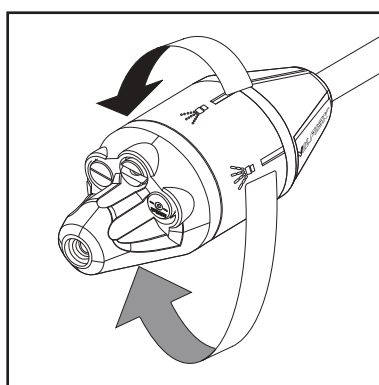
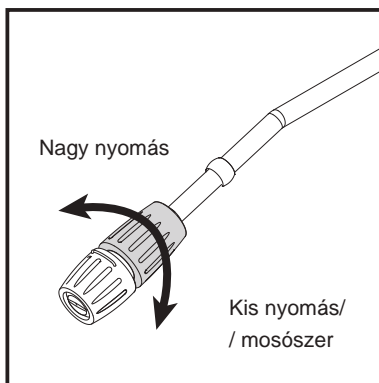
1. A készülékhez való csatlakoztatás előtt a víztömlő teljesen fel legyen töltve

vízzel. Helyezze a teljes tömlőt egy tartályba vagy vödörbe. A víz kifolyásának elkerüléséhez hajlítsa meg a vízbevezető tömlőt a víz alatt, csatlakoztassa a tömlőt a készülékhez a gyorscsatlakozóval, majd hajlítsa vissza a vízbevezető tömlőt.

2. Szerelje le a szórómarkolatot, a szórócsövet és a fúvókát.
3. Állítsa a ki/be kapcsolót  állásba, majd hagyja a vizet átfolyni, amíg a víztömlőben és a szivattyúban rekedt összes levegő eltávozik.

## 5.7 Nyomásszabályozás

4. Fordítsa a ki/be kapcsolót (1) „O” állásba.
5. Szerelje fel a szórómarkolatot, majd a szórócsövet.



6. Fordítsa a ki/be kapcsolót (1) állásba.
7. Húzza meg a szórópisztolyon a ravaszt.

**Flexopower Plus fúvókán**  
A Flexopower Plus fúvókán a nyomás beállítható.

**T és XT típusok:**

**4 az 1-ben szórócső**  
A nyomás szabályozható a 4-az 1-ben szórócsövön.

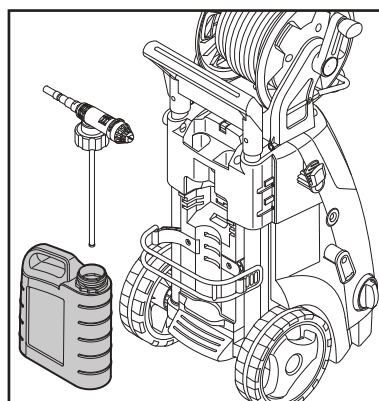
Alacsony nyomás / mosószer

Tornado / magas nyomás

Permetezés / magas nyomás

Turbohammer / magas nyomás

## 5.8 Tisztítószer használata



1. Töltse fel a tartályt mosószerrel.
2. Alkalmazza alulról felfelé a mosószert.
3. Hagyja a mosószert hatni a csomagolásán feltüntetett ideig, és öblítse le tiszta vízzel, vagy használjon kefét.

EN

DA

NO

SV

FI

DE

FR

NL

IT

ES

PT

EL

TR

CS

HU

PL

EN

## 5.9 Nyomás- és vízmennyiség-szabályozás (csak nyomás- és vízmennyiség-szabályozó gombbal rendelkező típusok)

DA

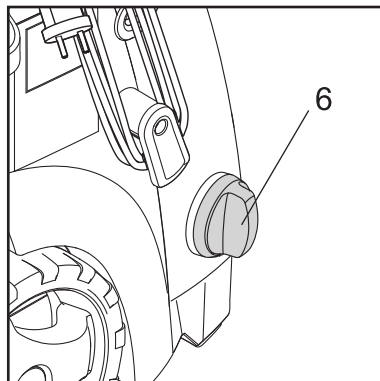
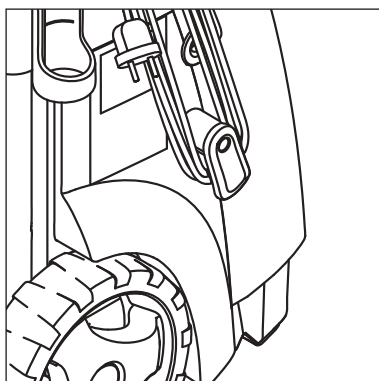
NO

SV

FI

DE

FR



Az üzemi nyomást és a vízmennyiséget a nyomás- és vízmennyiség-szabályozó gombbal (6) lehet szabályozni.

NL

# 6 Alkalmazási terület és munkamód-szerek

IT

ES

## 6.1 Általános

A hatékony nagynyomású tisztításhoz be kell tartani néhány irányelvet, melyet ki lehet egészíteni a különféle tisztítási feladatok közben szerzett személyes tapasztalatokkal. A helyesen megválasztott tartozékok és tisztítószeresek növelhetik a nagynyomású mosó hatásfokát. Az alábbiakban néhány alapvető tudnivalót olvashat a tisztításról.

PT

EL

TR

### 6.1.1 Tisztítószer és hab

A habot és a tisztítószeret száraz felületre kell felvinni, hogy a vegyszer közvetlenül a szennyeződésre hasson. A tisztítószeret alulról felfelé kell felvinni (például gépkocsi karosszérián), így elkerülhető, hogy nagyon tiszta területek keletkezzenek, ahol a tisztítószer a lefolyással nagy koncentrációban összegyűlik. Hagyja néhány percig hatni a tisztítószeret, mielőtt leöblítene, de ne hagyja, hogy rászáradjon a tisztított felületre. **Megjegyzés:** Fontos, hogy a tisztítószer ne száradjon rá. Ellenkező esetben a tisztított felület károsodhat.

CS

HU

PL

### 6.1.2 Mechanikus hatás

A felületre kötött szennyeződéseket csak mechanikus hatást is alkalmazva lehet eltávolítani. Speciális mosókefék biztosítják ezt a kiegészítő hatást, ami eltávolítja a makacs szennyeződéseket, a járművekre rakódott szennyeződést és hasonlókat.



# 7 A nagy nyomású mosó használata után

## 7.1 A mosó tárolása



### A készüléket fagymentes helyen kell tárolni!

A szivattyúból, a tömlőből és a tartozékokból tárolás előtt ki kell üríteni a vizet, a következőképpen:

1. Állítsa le a készüléket (állítsa a forgókapcsolót (1) „O” állásba), és vegye le a víztömlőt és a tartozékokat.
2. Kapcsolja be újra a készüléket, és húzza meg a ravaszt. Hagyja a készüléket működni, amíg nem folyik több víz a szórópisztolyból.
3. Állítsa le a készüléket, és húzza ki a dugaszt a konnektorból. Csévélje fel az elektromos kábelt a készülék oldalán lévő akasztókra.
4. Szerelje le a szórómarkolatot a szórócsőről.

### 5. Csak a tömlődob nélküli típusok:

Vegye le a nagy nyomású tömlőt a készülékről, tekerje össze és helyezze el a tömlőtartón.

### Tolókcsis típusoknál:

Tekerje fel a nagy nyomású tömlőt a tömlődobra.

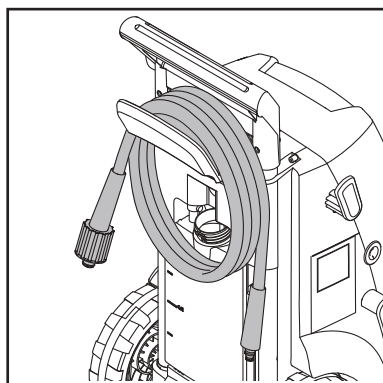
6. Helyezze el a szórópisztolyt, a fúvókákat és a többi tartozékot a készülék tartóira.

Ha a készülék véletlenül befagy, akkor hagyja kiolvadni, majd ellenőrizze, hogy nem károsodott-e.

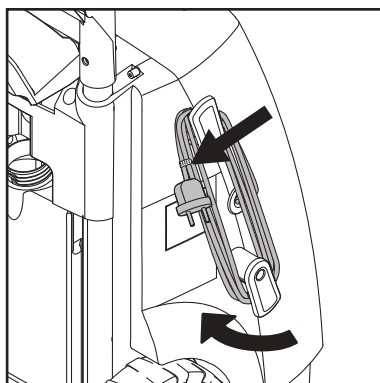
### BEFAGYOTT KÉSZÜLÉKET NEM SZABAD BEKAPCSOLNI!

A garancia nem terjed ki a fagyás miatt bekövetkezett meghibásodásokra.

## 7.2 Az elektromos kábel és a nagy nyomású tömlő felcsévélése



A balesetek elkerülése érdekében mindig gondosan csévélje



fel az elektromos kábelt és a nagy nyomású tömlőt.

1. Az elektromos kábelt csévélje fel az erre a célra szolgáló kampókra. Beépített szorító. Az alsó akasztó elfordításával az elektromos kábel rögzítése kioldható.

2. A nagy nyomású mosó kétféle típusban kapható: A) a nagy nyomású tömlő tárolására szolgáló fali akasztóval (13) – B) olyan tolókcsisval (12).

EN

DA

NO

SV

FI

DE

FR

NL

IT

ES

PT

EL

TR

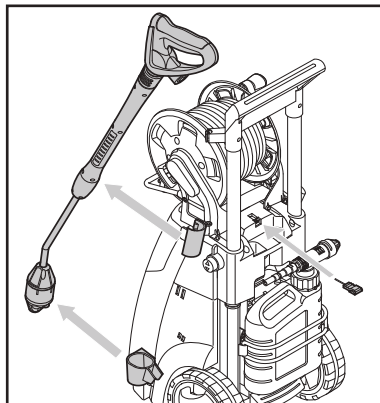
CS

HU

PL

EN

### 7.3 A tartozékok tárolása



Az alaptartozékok (szórópisztoly, szórócső, fúvókatisztító) a nagynyomású mosón tárolhatók.

DA

NO

SV

FI

DE

FR

## 8 Karbantartás

NL

IT



**VIGYÁZAT!** Karbantartás vagy tisztítás előtt húzza ki a csatlakozódugaszt a konnektorból!

A készülék hosszú élettartama és problémamentes működése érdekében figyeljen az alábbiakra:

- Összeszerelés előtt mossa ki a víztömlőt, a nagynyomású tömlőt, a szórócsövet és a tartozékokat.

- A csatlakozókat tisztítsa meg a portól és homoktól.
- Tisztítsa meg a fúvókákat.

A javításokat csak márkaszervizben végeztesse, ahol gyári alkatrészeket építenek be.

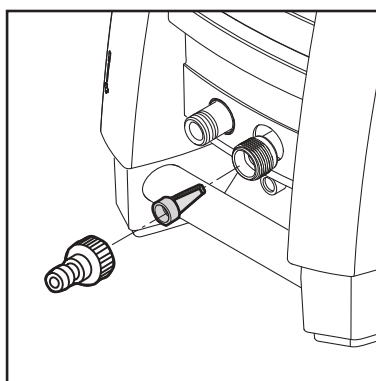
ES

PT

EL

TR

### 8.1 A vízbemenet szűrőjének tisztítása



Tisztítsa meg a vízbemenet szűrőjét rendszeresen, havonta egyszer vagy gyakrabban, a használatnak megfelelően. Óvatosan vegye ki a szűrőt egy fogóval, majd tisztítsa meg. Visszaszerelés előtt ellenőrizze, hogy hibátlan-e.

A bemeneti szűrőt mindig a vízbevezető csőre kell szerelni, hogy kiszűrje a szivattyúszelvényeket károsító különféle szennyeződések.

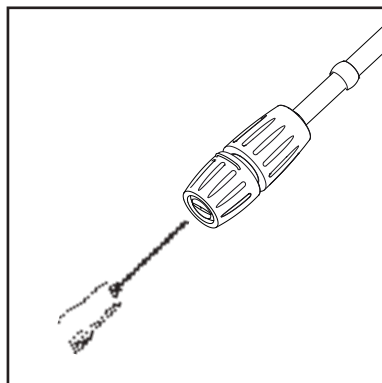
**VIGYÁZAT:** Ha szűrő nélkül használják a készüléket, az a garancia elvesztésével jár.

CS

HU

PL

## 8.2 A fúvóka tisztítása



Ha a fúvóka eltömődik, a szivattyú nyomása nagyon megemelkedik. Emiatt tanácsos azonnal megtisztítani.

1. Állítsa le a készüléket, és vegye le a szórófejet.
2. Tisztítsa meg a fúvókát.

**FONTOS:** A tisztítótű (11) használata előtt a fúvókát le kell szerelni.

3. Öblítse át a fúvókát vízzel az ellenkező irányban.

## 8.3 A készülék szellőzőnyílásainak tisztítása

A készüléket tisztán kell tartani, hogy a hűtőlevegő akadálytalanul áramolhasson a szellőzőnyílásokon keresztül.

## 8.4 A csatlakozók kenése

A könnyű csatlakoztatás és a csatlakozó gyűrűk kiszáradásának megelőzése érdekében a csatlakozókat rendszeres időközönként meg kell kenni.

EN

DA

NO

SV

FI

DE

FR

NL

IT

ES

PT

EL

TR

CS

**HU**

PL

EN

## 9 Hibael hárítás

DA

NO

SV

FI

DE

FR

NL

IT

ES

PT

EL

TR

CS

HU

PL

A felesleges fáradozások elkerülése érdekében ellenőrizze a következőket, mielőtt a Nilfisk márkaszervizhez fordulna:

Jelenség	Lehetséges ok	Teendő
<b>A készülék nem kapcsol be</b>	A készülék dugasa nincs a konnektorba dugva A konnektor hibás A biztosíték kiégett  A hosszabbító hibás	Dugja be a dugaszt a konnektorba.  Próbálja egy másik konnektorral. Cserélje ki a biztosítékot. Kapcsolja ki az áramkörön lévő többi készüléket. Próbálja ki hosszabbító nélkül.
<b>A nyomás ingadozik</b>	A szivattyúba levegő jut valahol A szelepek szennyezettek, vagy elakadtak kopottak A szivattyú szigetelése elhasználódott	Ellenőrizze, hogy a tömlők és a csatlakozások jól zárnak-e. Tisztítsa meg, cserélje ki vagy forduljon a Nilfisk márkaszervizhez Tisztítsa meg, cserélje ki vagy forduljon a Nilfisk márkaszervizhez.
<b>A motor furcsán bűg</b>	Kicsi a feszültség vagy alacsony a hőmérséklet	Húzza meg a szórópisztolyon a ravaszt.
<b>A készülék leáll</b>	A biztosíték kiégett  A tápfeszültség nem megfelelő  A hőérzékelő bekapcsolt  A fúvóka eltömődött	Cserélje ki a biztosítékot. Kapcsolja ki az áramkörön lévő többi készüléket. Ellenőrizze, hogy a tápfeszültség megfelel-e a készülék adattábláján feltüntetett paramétereknek. Várjon 5 percet, hogy a mosó lehülhessen. Tisztítsa meg a fúvókát (lásd a 7.2-es fejezetet).
<b>A biztosíték mindig kiég</b>	A biztosíték kapacitása túl kicsi	Cserélje ki a biztosítékot olyan amperértékűre, amely meghaladja a készülék megadott áramerősségét. Próbálja meg hosszabbító nélkül is.
<b>A készülék lüktetve működik</b>	Levegő került a bemeneti tömlőbe vagy a szivattyúba  Nem megfelelő a vízellátás  A fúvóka eltömődött  A vízszűrő eltömődött  A tömlő megtekeredett	Hagyja a készüléket a ravasz meghúzása nélkül üzemelni, amíg helyreáll a normál üzemi nyomás. Ellenőrizze, hogy a vízellátás megfelel-e a készülék adattábláján feltüntetett paramétereknek. <b>Megjegyzés:</b> Ne használjon hosszú, vékony tömlőt (min. 1/2") Tisztítsa meg a fúvókát (lásd a 7.2-es fejezetet). Tisztítsa meg a szűrőt (lásd a 7.1-es fejezetet). Egyenesítse ki a tömlőt.
<b>A készülék gyakran leáll és elindul magától</b>	A szivattyú vagy a szórópisztoly szivárog	Forduljon a legközelebbi Nilfisk márkaszervizhez.
<b>A készülék elindul, de nem jön ki víz</b>	A szivattyú, a tömlők vagy a tartozékok befagytak  Nincs vízellátás A vízszűrő eltömődött  A fúvóka eltömődött	Kapcsolja ki a készüléket, és várja meg, hogy a szivattyú, a tömlők és a tartozékok kiolvadjanak. Gondoskodjon a vízellátásról. Tisztítsa meg a szűrőt (lásd a 7.1-es fejezetet). Tisztítsa meg a fúvókát (lásd a 7.2-es fejezetet).
<b>A szivattyúnyomás leesik nyomásra</b>	A nyomás- és vízmennyiség-szabályozó	Állítsa a gombot a kívánt üzemi gomb nem jól van beállítva.

Ha a fent említettektől eltérő probléma merül fel, kérjen tanácsot a közeli Nilfisk márkakereskedőtől vagy márkaszerviztől.

# 10 További információk

## 10.1 Garanciafeltételek

Szerviz vagy karbantartás igénye esetén lépjen kapcsolatba a viszonteladójával.

# 11 Főbb műszaki adatok

Típus		MC2C-60/520 XT US-CAN	MC2C-80/520 T	MC2C-120/520 T	MC2C-120/520 XT	MC2C-140/610 XT	MC2C-140/610 P	MC2C-150/650	MC2C-140/650 (EXPT)	MC2C-150/650 XT
Névleges nyomás	bar/MPa	60/6,0	80/8,0	120/12	120/12	140/14	140/14	150/15	140/14	150/15
Tisztítóhatás	kg/erő	2	2	2,2	2,2	2,5	2,5	2,9	2,9	2,9
Vízmenyiség	Q <sub>max</sub> / QIEC l/min.	2,3/2,2 gallon	8,7/8,2	8,7/7,8	8,7/7,8	10,2/9,0	10,2/9,0	10,8/9,5	10,8/9,5	10,8/9,5
Feszültség/ fázis/frekvencia/ áramerősség	V/-/ Hz/A	120/1/ 60/15	115-127/1/ 60/15	230/1/ 50/10	230/1/ 50/10	230/1/ 50/12,6	230/1/ 50/12,6	230/1/ 50/14,5	220/1/ 60/14,5	230/1/ 50/14,5
Maximális vízhőmérséklet	°C	60	60	60	60	60	60	60	60	60
Kábel	m	10	5	5	5	5	5	5	5	5
Szivattyú	ford./ perc	3400	3400	2800	2800	2800	2800	2800	3400	2800
Fúvókaméret	1/8"	0,475	0,475	0,340	0,340	0,340	0,370	0,340	0,350	0,340
Hangnyomás szint LpA	dB(A)	72 ±2	72 ±2	72 ±2	72 ±2	72 ±2	72 ±2	72 ±2	72 ±2	72 ±2
Hangerőszint LwA	dB(A)	89	86	86	86	86	86	88	88	88
Vibráció (ISO 5349)	m/s <sup>2</sup>	< 2,5	< 2,5	< 2,5	< 2,5	< 2,5	< 2,5	< 2,5	< 2,5	< 2,5
Tömeg	kg	28,6	27,3	27,3	27,3	28,1	28,1	26,3	26,3	28,1

EN

DA

NO

SV

FI

DE

FR

NL

IT

ES

PT

EL

TR

CS

**HU**

PL

EN

# 12 Nyilatkozat

DA

Mi, a

NO

Nilfisk A/S  
Marmorvej 8  
2100 Copenhagen Ø  
DÁNIA

SV

Ezúton kizárólagos felelősségünkre kijelentjük, hogy a

FI

Termékek: HPW – Professional – Mobile – EI – CW  
Leírás: 230 V, 50 Hz, IPX5

DE

Típus: MC2C-120/520 T, -120/520 XT, -140/610 XT, -150/650 XT, -140/650 EXPT

FR

Megfelelnek a következő szabványoknak:

EN 60335-1:2012+A11:2014+A13:2017+A1:2019+A14:2019+A2:2019+A15:2021+A16:2023  
EN 60335-2-79:2012  
EN 55014-1:2021  
EN 55014-2:2021  
EN 61000-3-2:2019+A1:2021  
EN 61000-3-11:2019  
EN 63000:2018

NL

IT

ES

Követik az alábbi uniós harmonizációs jogszabályokat:

2006/42/EK  
2014/30/EU  
2011/65/EU  
2000/14/EK – Megfelelőségértékelési eljárás az V. melléklet szerint.  
– Mért hangteljesítményszint: 86-88 dB(A); Garantált hangteljesítményszint: 89-91 dB(A)

PT

EL

TR

Broendby, 2024-01-02

*Wei Hua (Warner) Guo*

CS

Warner Guo, VP R&D, Head of Competence Center APAC • R&D

HU

PL

# Spis treści

<b>1</b>	<b>Wprowadzenie .....</b>	<b>320</b>
1.1	<i>Symbole stosowane do wyróżniania instrukcji.....</i>	<i>320</i>
<b>2</b>	<b>Środki ostrożności i metody pracy.....</b>	<b>320</b>
<b>3</b>	<b>Opis.....</b>	<b>327</b>
3.1	<i>Zastosowanie.....</i>	<i>327</i>
3.2	<i>Elementy urządzenia i omówienie modelu .....</i>	<i>327</i>
<b>4</b>	<b>Przed uruchomieniem myjki ciśnieniowej .....</b>	<b>328</b>
4.1	<i>Montaż uchwytów do lancy opryskiwacza .....</i>	<i>328</i>
4.2	<i>Montaż uchwytu węża (modele bez bębna do nawijania węża) .....</i>	<i>328</i>
4.3	<i>Montaż rączki bębna do nawijania węża (modele wyposażone w bęben do nawijania węża) .....</i>	<i>328</i>
4.4	<i>Montaż szybkozłącza.....</i>	<i>329</i>
4.5	<i>Montaż węża wysokociśnieniowego na pistolecie natryskowym .....</i>	<i>329</i>
<b>5</b>	<b>Obsługa myjki ciśnieniowej.....</b>	<b>329</b>
5.1	<i>Podłączanie przewodu wysokiego ciśnienia .....</i>	<i>329</i>
5.2	<i>Montaż lancy rozpylacza .....</i>	<i>330</i>
5.3	<i>Podłączanie wody.....</i>	<i>330</i>
5.4	<i>Uchwyt teleskopowy .....</i>	<i>330</i>
5.5	<i>Uruchamianie i zatrzymywanie urządzenia (podłączonego do źródła wody) .....</i>	<i>331</i>
5.6	<i>Uruchamianie urządzenia (podłączonego do otwartego zbiornika – tryb ssania) .....</i>	<i>331</i>
5.7	<i>Regulacja ciśnienia .....</i>	<i>332</i>
5.8	<i>Praca z detergentami.....</i>	<i>332</i>
5.9	<i>Regulacja ciśnienia/ilości wody (tylko modele z przyciskiem regulacji ciśnienia i objętości wody) .....</i>	<i>333</i>
<b>6</b>	<b>Zastosowanie i metody pracy .....</b>	<b>333</b>
6.1	<i>Informacje ogólne .....</i>	<i>333</i>
<b>7</b>	<b>Po użyciu myjki ciśnieniowej .....</b>	<b>334</b>
7.1	<i>Przechowywanie myjki.....</i>	<i>334</i>
7.2	<i>Zwijanie przewodu elektrycznego i węża wysokiego ciśnienia.....</i>	<i>334</i>
7.3	<i>Przechowywanie akcesoriów.....</i>	<i>335</i>
<b>8</b>	<b>Konserwacja .....</b>	<b>335</b>
8.1	<i>Czyszczenie filtra wlotu wody .....</i>	<i>335</i>
8.2	<i>Czyszczenie dyszy .....</i>	<i>336</i>
8.3	<i>Czyszczenie otworów wentylacyjnych urządzenia .....</i>	<i>336</i>
8.4	<i>Smarowanie złączy.....</i>	<i>336</i>
<b>9</b>	<b>Rozwiązywanie problemów .....</b>	<b>337</b>
<b>10</b>	<b>Dodatkowe informacje .....</b>	<b>338</b>
10.1	<i>Warunki gwarancji.....</i>	<i>338</i>
<b>11</b>	<b>Podstawowe dane techniczne.....</b>	<b>338</b>
<b>12</b>	<b>Deklaracja.....</b>	<b>339</b>

EN

DA

NO

SV

FI

DE

FR

NL

IT

ES

PT

EL

TR

CS

HU

PL

# 1 Wprowadzenie

## 1.1 Symbole stosowane do wyróżniania instrukcji

EN Wszystkie piktogramy umieszczone na myjce wysokociśnieniowej oraz jej elementach zostały pokazane i wyjaśnione w tej instrukcji.



DA Instrukcje bezpieczeństwa wyróżnione tym symbolem muszą być przestrzegane w celu uniknięcia urazów oraz poważnych uszkodzeń mienia.



NO Należy zachować ostrożność ze względu na ryzyko uszkodzenia maszyny lub jej pojedynczych elementów.



SV Ten symbol oznacza wskazówki i instrukcje ułatwiające pracę oraz umożliwiające bezpieczną eksploatację myjki wysokociśnieniowej.

## 2 Środki ostrożności i metody pracy



FR Przed pierwszym uruchomieniem urządzenia należy uważnie przeczytać tę instrukcję obsługi. Instrukcję należy zachować do wglądu w przyszłości.



### Ostrzeżenie!

- Wdychanie aerozoli może być szkodliwe dla zdrowia. W stosownych przypadkach należy używać wyposażenia eliminującego lub ograniczającego powstawanie aerozoli, np. osłon na dysze. Dla ochrony przed aerozolami należy nosić maski ochronne klasy co najmniej FFP 2.
- Złącze zasilania oraz wysokie ciśnienie wody wytwarzane przez urządzenie stanowią szczególne zagrożenie.
- Urządzeń nie powinny obsługiwać dzieci ani osoby nieprzeszkolone. Dzieci należy pilnować, aby nie używały urządzenia do zabawy.
- Nie używać urządzenia w pobliżu osób, które nie noszą odzieży ochronnej.
- Przed uruchomieniem urządzenia należy je dokładnie sprawdzić pod kątem uszkodzeń. W przypadku wykrycia jakichkolwiek uszkodzeń nie należy uruchamiać urządzenia, ale skontaktować się z dystrybutorem Nilfisk. Izolacja przewodu elektrycznego musi być nieuszkodzona i wolna od pęknięć. Jeśli przewód elektryczny jest uszkodzony, powinien zostać wymieniony przez autoryzowanego dystrybutora Nilfisk.



- Przed przystąpieniem do czyszczenia lub konserwacji oraz w trakcie wymiany części lub zmiany funkcji urządzenia należy zawsze wyjmować wtyczkę kabla zasilającego z gniazda.
- Należy przestrzegać obowiązujących w kraju przepisów bezpieczeństwa wprowadzonych np. przez zarządzenie zapewniające ubezpieczenia od odpowiedzialności pracodawców, ubezpieczyciela społecznego, instytucje BHP itp.

EN

DA

NO

SV

FI

DE

FR

NL

IT

ES



### **Akcesoria i części zamienne**

- Aby zagwarantować bezpieczną pracę urządzenia, należy stosować wyłącznie oryginalne części zamienne Nilfisk lub zatwierdzone przez Nilfisk.
- Węże wysokociśnieniowe, mocowania i złączki stanowią istotne elementy decydujące o bezpiecznej pracy urządzenia. Używać tylko węży, mocowań i złączek zalecanych przez Nilfisk.

PT



### **Sprawność fizyczna, sensoryczna lub umysłowa**

- To urządzenie nie może być obsługiwane przez osoby (również dzieci) z ograniczonymi możliwościami fizycznymi, sensorycznymi lub psychicznymi, przez osoby bez doświadczenia lub wiedzy. Jeśli urządzenie będzie obsługiwane przez osoby o ograniczonej sprawności fizycznej, sensorycznej lub psychicznej lub przez osoby niedoświadczone lub nieposiadające odpowiedniej wiedzy, takie osoby muszą być nadzorowane lub zostać poinstruowane co do bezpiecznej obsługi urządzenia i muszą rozumieć potencjalne zagrożenia.

EL

TR

CS

HU

PL



### **Zastosowania**

To urządzenie zostało opracowane do użytku domowego i profesjonalnego, np.:

- użytek domowy: samochód, motocykl, łódź, przyczepa kempingowa, przyczepa, patio/podjazd/meble, kosiarka.
- użytek profesjonalny: czyszczenie powierzchni, samochodów, ciężarówek, łodzi, narzędzi i sprzętu.

EN

DA

NO

SV

FI

DE

FR

NL

IT

ES

PT

EL

TR

CS

HU

PL

- Każde inne użycie jest uważane za niewłaściwe. Firma Nilfisk nie ponosi odpowiedzialności za jakiegokolwiek szkody wynikające z takiego użytkowania. Ryzyko związane z takim użytkowaniem ponosi wyłącznie użytkownik. Właściwe użytkowanie obejmuje również prawidłową eksploatację, serwisowanie i naprawy zgodnie z niniejszą instrukcją.

### Ubiór i wyposażenie

Podczas obsługi urządzenia należy zawsze stosować odpowiednie środki ochronne.

- Należy nosić buty z nieślizgającymi się podeszwami.
- W trakcie obsługi urządzenia należy nosić okulary ochronne, nauszniki oraz odzież ochronną.



### Transportowanie myjki wysokociśnieniowej

- Na czas transportu wewnątrz pojazdu lub na pojeździe myjkę należy zabezpieczyć np. pasami, tak aby uniemożliwić jej ześlizgnięcie się lub przewrócenie.
- Podczas transportu wewnątrz pojazdu lub na pojeździe urządzenie powinno leżeć poziomo, skierowane tyłem do podłoża.



### Detergenty

- To urządzenie jest przeznaczone do użytku ze środkami czyszczącymi oferowanymi lub zalecanymi przez Nilfisk. Korzystanie z innych środków czyszczących lub chemicznych może niekorzystnie wpłynąć na funkcjonowanie urządzenia.



### Przed rozpoczęciem pracy Kontrola stanu urządzenia

- Nie należy używać urządzenia, jeśli kabel zasilający lub ważne elementy urządzenia, takie jak zabezpieczenia, węże wysokociśnieniowe, uchwyt natryskowy, końcówki natryskowe, są uszkodzone.
- Spust uchwytu natryskowego musi się poruszać swobodnie, a po zwolnieniu samoczynnie powracać do pozycji wyjściowej.

- Należy zawsze dbać o dobry stan (czystość, swobodny ruch) i prawidłowe zmontowanie węża wysokociśnieniowego z końcówką natryskową.



## Połączenie elektryczne

### Ostrzeżenie!

Aby zminimalizować ryzyko porażenia prądem:

- Napięcie i częstotliwość urządzenia (zob. tabliczka znamionowa) muszą odpowiadać napięciu i częstotliwości sieci zasilającej.
- Urządzenie można podłączać wyłącznie do instalacji elektrycznych wykonanych przez wykwalifikowanego elektryka i spełniających wymogi normy IEC 60364-1.
- Zalecamy wyposażenie obwodu zasilania elektrycznego w wyłącznik różnicowo-prądowy, który odetnie zasilanie, kiedy prąd upływowy do uziemienia przekroczy 30 mA przez 30 ms.
- Używać rozrusznika silnika/bezpieczników zwłocznych o charakterystykach C lub D wg normy IEC/ EN 60898-1 / IEC 947-2 lub wg innych odpowiednich norm poza normą IEC.
- Ze względu na duży pobór mocy urządzenia wymagany jest odpowiedni bezpiecznik sieciowy.
- Nieodpowiedni przedłużacz może być niebezpieczny. Przedłużacze muszą być przystosowane do użytku zewnętrznego. Połączenie musi być przez cały czas suche i nie może leżeć na ziemi.
- Nilfisk zaleca stosowanie przedłużaczy na bębnach, w których gniazdo znajduje się co najmniej 60 mm nad ziemią.
- Jeśli kabel zasilający jest uszkodzony, musi zostać wymieniony przez autoryzowanego dystrybutora Nilfisk lub osobę posiadającą niezbędne kwalifikacje w celu wyeliminowania potencjalnego zagrożenia.
- Podłączając myjkę wysokociśnieniową do sieci zasilającej, należy przestrzegać maksymalnej impedancji = 0,4023  $\Omega$  ( $Z_{max}$ ). Należy skonsultować się z zakładem energetycznym w celu potwierdzenia, że urządzenie jest podłączane wyłącznie do sieci o impedancji równej podanej wartości lub niższej.

EN

DA

NO

SV

FI

DE

FR

NL

IT

ES

PT

EL

TR

CS

HU

PL

EN

DA

NO

SV

FI

DE

FR

NL

IT

ES

PT

EL

TR

CS

HU

PL



## Podłączenie do instalacji wodnej

- Myjkę wysokociśnieniową można podłączyć do instalacji wody pitnej wyłącznie, jeśli zainstalowano izolator przepływu zwrotnego typu BA zgodnie z normą EN 60335-2-79.
- Izolator można zamówić, korzystając z numeru 106411177.
- Woda pitna, która przepłynie przez izolator przepływu zwrotnego, przestaje być wodą pitną.
- Praca z wykorzystaniem ssania (np. zbiornik wody deszczowej) odbywa się bez udziału izolatora przepływu zwrotnego – zob. „**Podłączanie bezciśnieniowego dopływu wody**”. Urządzenie można podłączyć do instalacji wodnej, jeśli ciśnienie dopływu nie przekracza 1 MPa/10 bar, a temperatura wynosi maks. 60 °C.

## Urządzenia zabezpieczające

### Blokada uchwytu natryskowego:

- Uchwyt natryskowy jest wyposażony w blokadę. Jeśli zadziałała zapadka, nie można korzystać z uchwytu natryskowego.

### Czujnik termiczny:

- Automatyczne resetowanie
- Czujnik termiczny zabezpiecza silnik przed przeciążeniem. Maszyna uruchomi się ponownie po kilku minutach, gdy czujnik termiczny ostygnie.
- Bez automatycznego resetowania (dotyczy tylko modelu MC2C US)  
Wymagane jest ręczne zresetowanie. Obsługa ręczna będzie oznaczała odłączenie urządzenia od sieci zasilającej.



### Przeostroga:

W celu uniknięcia zagrożeń związanych z nieumyślnym zresetowaniem wyłącznika termicznego, to urządzenie nie może być zasilane z zewnętrznego urządzenia przełączającego, takiego jak zegar, ani nie może być podłączone do obwodu, który jest regularnie włączany i wyłączany przez zakład.

### Zabezpieczenie przed nadmiernym ciśnieniem:

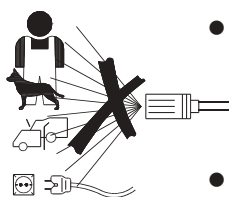
- Zintegrowany hydrauliczny zawór bezpieczeństwa chroni układ przed zbyt wysokim ciśnieniem.



## W trakcie pracy

### Ostrzeżenie!

- Zabrania się czyszczenia powierzchni zawierających azbest metodą wysokociśnieniową.
- Ryzyko wybuchu – nie rozpryskiwać cieczy łatwopalnych.
- Nie wolno pobierać płynów zawierających rozpuszczalniki (np. benzynę, olej opałowy, rozcieńczalnik do farby czy aceton). Substancje te uszkodzają materiały wykorzystane do produkcji urządzenia. Strumień rozpylonej substancji jest wyjątkowo palny, wybuchowy i trujący.
- Nie wolno kierować strumienia wody na siebie ani inne osoby, nawet w celu umycia odzieży lub obuwia – **ryzyko odniesienia urazów**.
- Nie wolno kierować strumienia wody na szkodniki ani zwierzęta.
- Nie wolno kierować strumienia wody w stronę urządzeń znajdujących się pod napięciem ani samego urządzenia – **ryzyko wystąpienia zwarcia**.
- Po wciśnięciu spustu uchwytu natryskowego na lancę opryskiwacza działa siła odrzutu sięgająca 27,4 N oraz nagły moment obrotowy.
- Nie wolno uruchamiać myjki wysokociśnieniowej w temperaturach poniżej 0 °C.
- Nie należy nigdy uruchamiać zamrożonego urządzenia. Gwarancja nie obejmuje uszkodzeń spowodowanych przez mróz!
- Należy zagwarantować pewne oparcie.
- Pracujące urządzenie musi być ustawione pionowo.
- Jeśli urządzenie nie będzie używane przez dłużej niż 5 minut lub będzie pozostawione bez dozoru, należy je wyłączyć za pomocą przełącznika „O” (1).



EN

DA

NO

SV

FI

DE

FR

NL

IT

ES

PT

EL

TR

CS

HU

PL



## Po zakończeniu pracy

### OSTRZEŻENIE!

- Po zakończeniu pracy, a także przed zostawieniem urządzenia niepilnowanego, należy wyłączyć urządzenie i wyjąć wtyczkę kabla zasilającego z gniazda.

EN

DA

NO

SV

FI

DE

FR

NL

IT

ES

PT

EL

TR

CS

HU

PL

- Odłączyć przewód dopływu wody łączący urządzenie z instalacją wodną.
- Po zakończeniu pracy i przed odłożeniem urządzenia należy opróżnić pompę, wąż i akcesoria z wody.



## Konserwacja i naprawy

### OSTRZEŻENIE!

- Przed przystąpieniem do konserwacji, czyszczenia lub naprawy urządzenia należy zawsze wyjmować wtyczkę kabla zasilającego z gniazda.
- Wszystkie naprawy powinny być wykonywane w autoryzowanych warsztatach Nilfisk i przy użyciu oryginalnych części zamiennych Nilfisk.
- Nie należy się podejmować prac konserwacyjnych wykraczających poza zakres podany w tej instrukcji.
- Jeżeli urządzenie nie chce się uruchomić, wyłącza się lub wibruje, a także jeśli ciśnienie pulsuje, z silnika dochodzą hałasy, bezpiecznik się przepala lub woda nie wypływa z myjki, należy skorzystać z tabeli rozwiązywania problemów zamieszczonej w tej instrukcji. W przypadku pojawienia się innych problemów, należy skontaktować się z lokalnym dystrybutorem Nilfisk.
- Dzieci nie powinny czyścić urządzenia ani przeprowadzać innych czynności konserwacyjnych bez nadzoru.



### Prawidłowa utylizacja produktu

Symbol ten oznacza, że w UE produktu nie należy usuwać wraz z innymi odpadami z gospodarstwa domowego. Aby zapobiec potencjalnym szkodom dla środowiska lub zdrowia ludzkiego wskutek niekontrolowanego usuwania odpadów, należy je poddawać recyklingowi celem wspierania zrównoważonego ponownego wykorzystywania zasobów materiałowych. Aby zwrócić używane urządzenie, należy skorzystać z systemów zwrotu i zbiórki odpadów lub skontaktować się ze sprzedawcą, od którego zakupiono urządzenie. Sprzedawca może odebrać urządzenie w celu przekazania go recyklingowi bezpiecznego dla środowiska.

# 3 Opis

EN

DA

NO

SV

FI

DE

FR

NL

IT

ES

PT

EL

TR

CS

HU

PL

## 3.1 Zastosowanie

Myjka wysokociśnieniowa została opracowana z myślą o półprofesjonalnym rutynowym czyszczeniu:

- *Profesjonalne prace rzemieślnicze, mycie pojazdów, łodzi i przyczep kempingowych oraz drobne prace w zakresie czyszczenia – wewnątrz budynków i na budowach*

Rozdział 6 zawiera opis zastosowania myjki wysokociśnieniowej do różnych zadań.

Myjki wysokociśnieniowej należy używać wyłącznie do zadań opisanych w niniejszej instrukcji.

Należy przestrzegać zaleceń dotyczących bezpieczeństwa, aby uniknąć uszkodzenia urządzenia, zapewnić jego prawidłowe i skuteczne działanie oraz uchronić się przed poważnymi uszkodzeniami ciała.

## 3.2 Elementy urządzenia i omówienie modelu



Patrz rysunek na końcu niniejszej instrukcji.

- 1 Włącznik/wyłącznik
- 2 Wlot wody (z filtrem)
- 3 Złącze wysokiego ciśnienia (tylko modele bez bębna do nawijania węża)
- 4 Przewód wysokiego ciśnienia
- 5 Przewód elektryczny
- 6 Regulacja ciśnienia/ilości wody (wersja niestandardowa)
- 7 Pistolet natryskowy z urządzeniem blokującym
- 8 Lanca rozpylacza Flexopower Plus
- 9 Lanca opryskiwacza 4 w 1 (modele T i XT)
- 10 Odłączalny pojemnik na detergenty

- 11 Przyrząd do czyszczenia dyszy
- 12 Bęben do nawijania węża
- 13 Hak węża (tylko modele bez bębna do nawijania węża)
- 14 Oznaczenie modelu
- 15 Przycisk uchwyty teleskopowego
- 16 Uchwyt wózka (uchwyt teleskopowy)
- 17 Obrotowy hak na kabel

**Specyfikacje:** Zobacz oznaczenie modelu (14) na urządzeniu.

Zastrzegamy sobie prawo do zmiany powyższych specyfikacji.

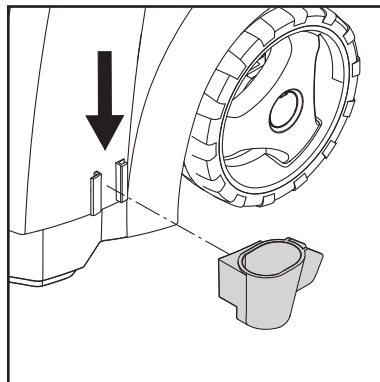
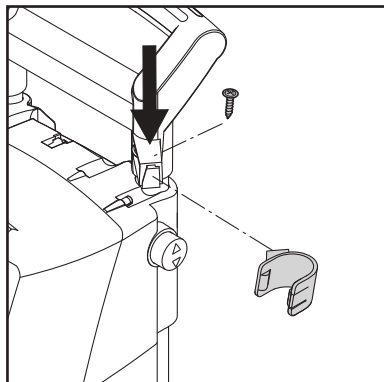
EN

## 4 Przed uruchomieniem myjki ciśnieniowej

DA

NO

### 4.1 Montaż uchwyty do lancy opryskiwacza



Zamontować uchwyty do lancy opryskiwacza na maszynie.

SV

FI

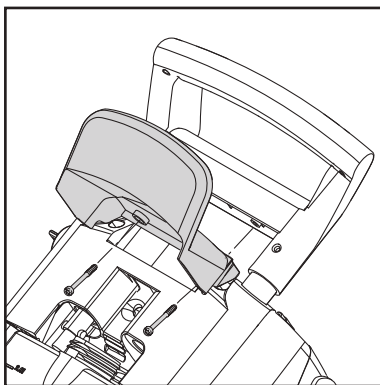
DE

FR

NL

IT

### 4.2 Montaż uchwyty węża (modele bez bębna do nawijania węża)



Zamontuj hak na wąż (13) na urządzeniu (2 śruby)

**Uwaga:** Hak węża można zamontować zarówno z przodu, jak i z tyłu. Hak węża należy zamontować z przodu, jeśli urządzenie ma być wyposażone w specjalny hak do wieszania na ścianie.

ES

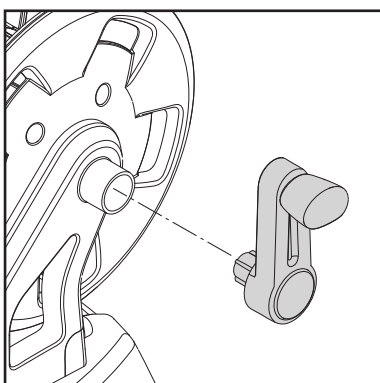
PT

EL

TR

CS

### 4.3 Montaż rączki bębna do nawijania węża (modele wyposażone w bęben do nawijania węża)



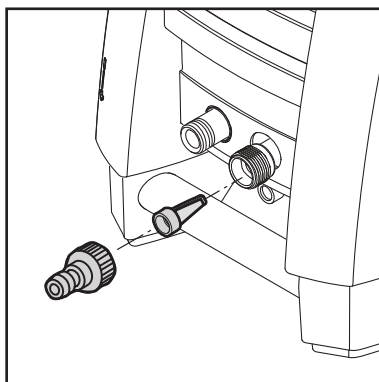
1. Wciśnij rączkę bębna do nawijania węża w otwór na rączce wózka (bez śrub).

HU

PL



#### 4.4 Montaż szybkozłącza



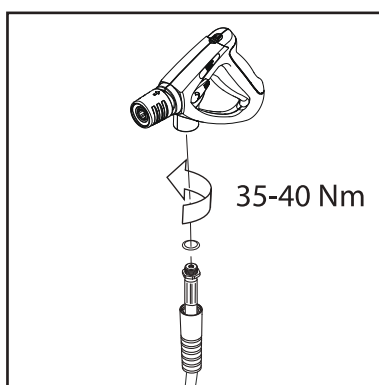
1. Mocno przykręć szybkozłącze do wlotu wody (2).

**Uwaga:** Filtr dopływu musi być zawsze zamontowany w rurze dopływu wody w celu odfiltrowania dużych zanieczyszczeń, które mogłyby uszkadzać zawory pomp.



**Uwaga:** Niezainstalowanie filtra spowoduje utratę gwarancji.

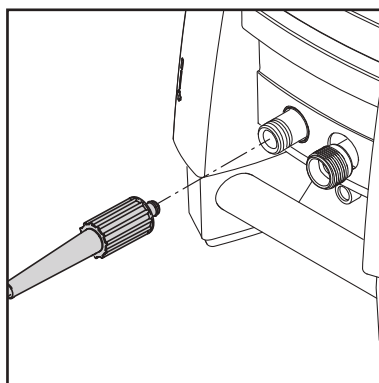
#### 4.5 Montaż węża wysokociśnieniowego na pistolecie natryskowym



Zamontuj wąż wysokociśnieniowy (4) do pistoletu natryskowego (7).

## 5 Obsługa myjki ciśnieniowej

#### 5.1 Podłączanie przewodu wysokiego ciśnienia



**Modele bez bębna do nawijania węża:** Podłącz wąż wysokociśnieniowy (4) do odpowiedniego złącza (3).

Można zastosować tylko jeden wąż przedłużający o długości maks. 7 m.

**Modele wyposażone w bęben do nawijania węża:** Rozwiń całkowicie wąż wysokociśnieniowy.

EN

DA

NO

SV

FI

DE

FR

NL

IT

ES

PT

EL

TR

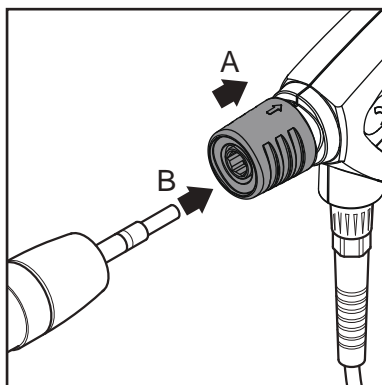
CS

HU

PL

EN

## 5.2 Montaż lancy rozpylacza



### WSKAZÓWKA!

Przed podłączeniem lancy natryskowej do pistoletu należy dokładnie usunąć z końcówki cząstki zanieczyszczeń.

1. Pociągnąć do tyłu niebieski uchwyt szybkiego zwolnienia (A) pistoletu natryskowego.
2. Włożyć złączkę lancy spryskiwacza (B) w połączenie szybko zwalnijące i zwolnić je.
3. Pociągnąć lancę spryskiwacza w przód (lub inne akcesorium), aby sprawdzić, czy została prawidłowo przytworowana do pistoletu natryskowego.

DA

NO

SV

FI

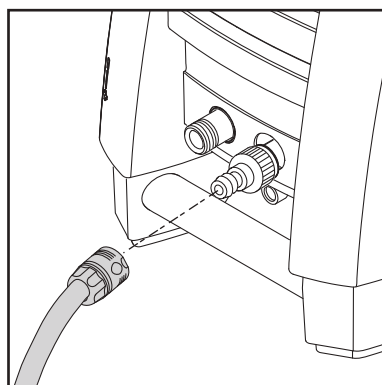
DE

FR

NL

## 5.3 Podłączanie wody

Do podłączenia wody odpowiedni będzie zwykły wąż ogrodowy o średnicy 1/2 cala i długości **10–25 m**.



**UWAGA:** Podłączenie do publicznej sieci zasilania powinno się odbywać zgodnie z odpowiednimi przepisami.

**WAŻNE!** Należy używać wody bez zanieczyszczeń. Jeśli istnieje ryzyko wystąpienia w wodzie piasku lotnego (np. w wodzie z własnej studni), należy zamontować dodatkowy filtr.

1. Wąż należy przepłukać wodą przed podłączeniem do urządzenia, aby zapobiec dostaniu się piasku i brudu do urządzenia.



**Uwaga:** Należy sprawdzić, czy

- w przewodzie doprowadzającym wodę zamontowany jest filtr i czy filtr nie jest zablokowany.
2. Podłącz wąż doprowadzający wodę do źródła wody za pomocą szybkozłączka (woda doprowadzana, maks. ciśnienie: 10 barów, maks. temperatura: 60 °C).
3. Odkręć wodę.

IT

ES

PT

EL

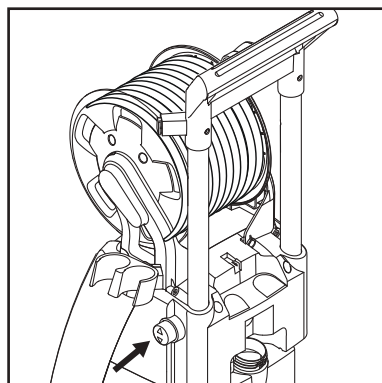
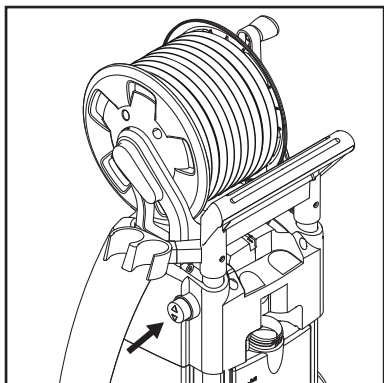
TR

CS

HU

PL

## 5.4 Uchwyt teleskopowy



Urządzenie posiada uchwyt teleskopowy. Aby podnieść lub obniżyć uchwyt, naciśnij pokrętko i przesuwaj uchwyt w górę lub w dół. Kliknięcie oznacza, że uchwyt znajduje się w prawidłowej pozycji.

## 5.5 Uruchamianie i zatrzymywanie urządzenia (podłączonego do źródła wody)



Podczas pracy lanca rozpylacza jest poddawana działaniu siły – dlatego należy ją mocno trzymać oburącz.

### WAŻNE! Skieruj dyszę w kierunku podłoża.

1. Sprawdź, czy urządzenie jest ustawione pionowo.  
**UWAGA:** Nie należy stawiać urządzenia w wysokiej trawie!
2. Zwolnij blokadę spustu.
3. Wciśnij spust uchwyty natryskowego i utrzymuj przepływ wody dopóki całe powietrze nie ujdzie z węża wysokociśnieniowego.
4. Ustaw przełącznik start/stop (1) w pozycji
5. Zwolnij blokadę pistoletu natryskowego.

Zawsze należy dostosowywać odległość i ciśnienie w dyszy do rodzaju czyszczonej powierzchni.

## 5.6 Uruchamianie urządzenia (podłączonego do otwartego zbiornika – tryb ssania)

Myjka może pobierać wodę np. ze zbiornika z deszczówką. Waż doprowadzający wodę nie może być zbyt długi (około 5 m).

Upewnij się, że zbiornik z wodą nie znajduje się poniżej urządzenia.

Jeśli woda zawiera zanieczyszczenia, należy użyć zewnętrznego filtra.

1. Wąż dopływu wody musi zostać całkowicie napełniony, zanim zostanie podłączony do maszyny. Zanurzyć wąż w całości w zbiorniku lub wiadrze. Aby uniknąć rozlania wody, wąż dopływu wody należy zgąć wewnątrz pojemnika, następnie podłączyć do maszyny za pomocą szybkozłączki i rozprostować.

Maszyny nie można przykrywać oraz używać w pomieszczeniu bez odpowiedniej wentylacji!

**Uwaga:** Jeśli urządzenie nie będzie używane przez dłużej niż 5 minut lub będzie pozostawione bez dozoru, należy je wyłączyć za pomocą przełącznika „O” (1):

1. Ustaw przełącznik start/stop (1) w pozycji „O”.
2. Wyjmij wtyczkę elektryczną z gniazdka.
3. Odetnij dopływ wody i włącz blokadę, aby obniżyć ciśnienie wewnątrz urządzenia.
4. Zablokuj pistolet natryskowy.

Po zwolnieniu blokady pistoletu natryskowego urządzenie zatrzyma się automatycznie. Urządzenie zostanie ponownie włączone po wyłączeniu blokady pistoletu natryskowego.

2. Zdemontować uchwyt natryskowy, lancę i dyszę.
3. Ustawić wyłącznik w położeniu , następnie odczekać aż przepływająca woda usunie całe powietrze z węża i pompy.
4. Ustaw przełącznik start/stop (1) w pozycji „O”.
5. Zamontuj uchwyt natryskowy, a następnie lancę.
6. Ustaw przełącznik start/stop (1) w pozycji .
7. Zwolnij blokadę pistoletu natryskowego.

EN

DA

NO

SV

FI

DE

FR

NL

IT

ES

PT

EL

TR

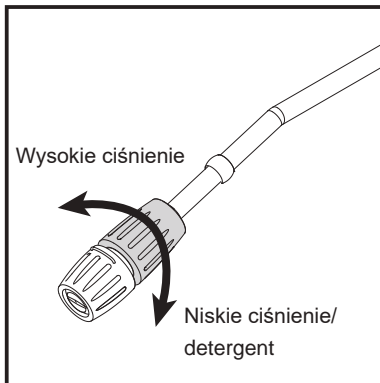
CS

HU

PL

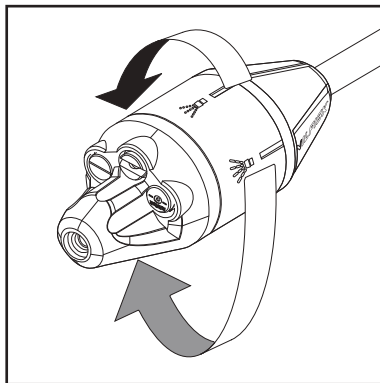
EN

### 5.7 Regulacja ciśnienia



#### Dyszy Flexopower Plus

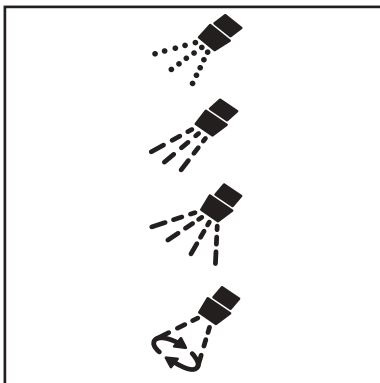
W dyszy Flexopower Plus można regulować ciśnienie.



#### Modele T i XT:

##### Lanca 4 w 1

Ciśnienie można regulować na lancy opryskiwacza 4 w 1.



Niskie ciśnienie / detergent

Tornado / wysokie ciśnienie

Szeroki kąt / wysokie ciśnienie

Turbohammer / wysokie ciśnienie

DA

NO

SV

FI

DE

FR

NL

IT

ES

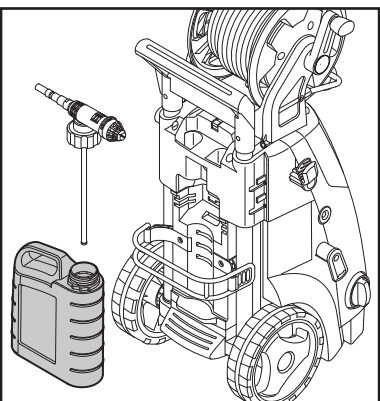
PT

EL

TR

CS

### 5.8 Praca z detergentami

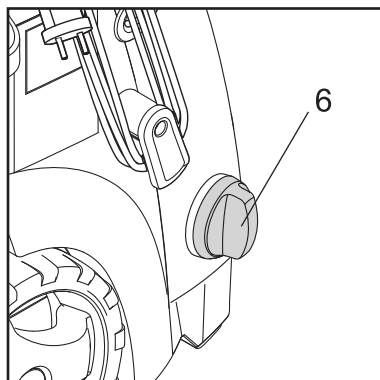
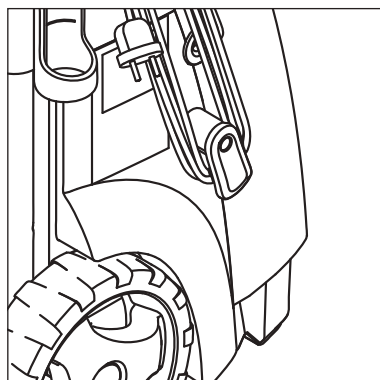


1. Napełnij pojemnik detergentem.
2. Nanoś detergent w kierunku od dołu do góry.
3. Pozostaw detergent, pozwalając mu działać przez czas podany na opakowaniu detergentu i splucz czystą wodą lub użyj szczotki.

HU

PL

### 5.9 Regulacja ciśnienia/ ilości wody (tylko modele z przyciskiem regulacji ciśnienia i objętości wody)



Ciśnienie robocze i ilość wody można regulować, przekręcając pokrętkę regulacji ciśnienia/ilości wody (6).

## 6 Zastosowanie i metody pracy

### 6.1 Informacje ogólne

Czyszczenie z zastosowaniem wysokiego ciśnienia jest bardzo efektywne pod warunkiem przestrzegania kilku wskazówek w połączeniu z osobistym doświadczeniem dotyczącym konkretnych zadań. Odpowiednio dobrane akcesoria i detergenty mogą zwiększyć efektywność działania myjki ciśnieniowej. Oto kilka podstawowych informacji dotyczących czyszczenia.

#### 6.1.1 Detergenty i piana

Pianę lub detergenty należy nakładać na suche powierzchnie, tak aby środek chemiczny miał bezpośrednią styczność z brudem. Detergenty należy nakładać od dołu ku górze, np. na nadwozie samochodu, aby uniknąć powstawania tzw. „ekstraczystych” miejsc, w których detergent zbiera się w wysokiej koncentracji, a następnie spływa w dół. Przed spłukaniem należy pozostawić detergent na kilka minut na czyszczonej powierzchni, ale nie wolno zostawiać go do wyschnięcia. **Uwaga:** Nie należy dopuszczać do wyschnięcia detergentu na czyszczonej powierzchni. W przeciwnym razie powierzchnia może ulec uszkodzeniu.

#### 6.1.2 Środki mechaniczne

Do przebicia się przez zaschnięte warstwy brudu może być konieczne zastosowanie dodatkowych środków mechanicznych. Specjalne szczotki myjące oferują dodatkowy efekt usuwania uporczywych zabrudzeń, osadów gromadzących się na samochodach itp.

EN

DA

NO

SV

FI

DE

FR

NL

IT

ES

PT

EL

TR

CS

HU

PL

EN

## 7 Po użyciu myjki ciśnieniowej

DA

### 7.1 Przechowywanie myjki



Urządzenie należy przechowywać w pomieszczeniu zabezpieczonym przed mrozem!

Zanim urządzenie zostanie przeniesione do miejsca przechowywania należy opróżnić z wody pompę, wąż oraz akcesoria, zgodnie z następującymi instrukcjami:

1. Wyłącz urządzenie (przekręć przełącznik włączania/wyłączania (1) do pozycji „O”) i odłącz wąż wody oraz akcesoria.
2. Ponownie uruchom urządzenie i naciśnij spust. Pozostaw urządzenie uruchomione, aż z uchwytu pistoletowego przestanie wypływać woda.
3. Wyłącz urządzenie i wyjmij wtyczkę z gniazda zasilania. Owiń kabel elektryczny wokół haków umieszczonych z boku urządzenia.
4. Zdejmij lancę z uchwytu natryskowego.

5. **Modele bez bębna do nawijania węża:** Odłącz wąż wysokociśnieniowy, zwiń go i umieść na swoim miejscu.

**Modele wyposażone w bęben do nawijania węża:** Nawiń wąż wysokociśnieniowy na bęben.

6. Umieść uchwyt, dysze i inne akcesoria w miejscach ich mocowania przy urządzeniu.

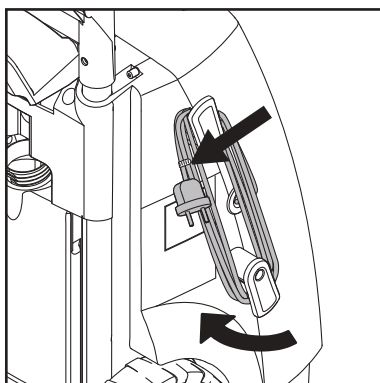
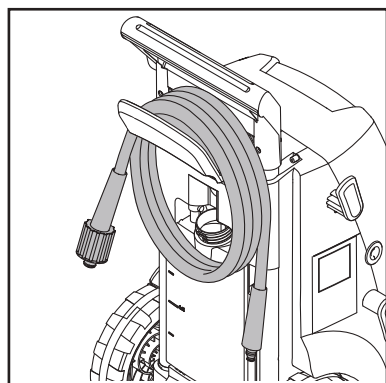
Jeśli maszyna przypadkowo ulegnie zamarznięciu, pozwól jej odтаяć i sprawdź pod kątem uszkodzeń.

**NIGDY NIE NALEŻY URUCHAMIAĆ ZAMARZNIĘTEGO URZĄDZENIA**

**Szkody związane z zamarznięciem nie są objęte gwarancją!**

### 7.2 Zwijanie przewodu elektrycznego i węża wysokiego ciśnienia

Aby uniknąć wypadków, należy zachować ostrożność podczas zwijania przewodu elektrycznego i węża wysokiego ciśnienia.

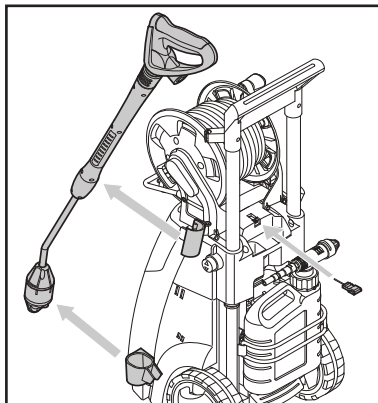


1. Nawiń przewód elektryczny na przewidziane do tego haki. Wbudowany zacisk zapewnia łatwe przeniesienie. Dolny hak można obracać w celu zwalniania kabla elektrycznego

2. Myjka wysokociśnieniowa jest dostępna w dwóch modelach: a) z hakiem do przechowywania węża wysokiego ciśnienia (13); b) z bębnem do nawijania węża (12).

PL

### 7.3 Przechowywanie akcesoriów



Standardowe akcesoria: pistolet natryskowy, lancę rozpylacza, narzędzie do czyszczenia dysz można przechowywać na myjce ciśnieniowej.

## 8 Konserwacja



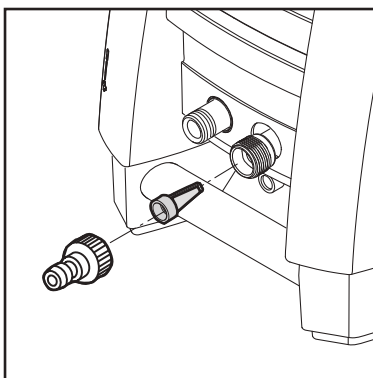
Przed rozpoczęciem prac konserwacyjnych lub czyszczenia urządzenia należy zawsze odłączyć wtyczkę elektryczną od gniazda zasilania.

Aby zapewnić długotrwałą i niezakłóconą eksploatację urządzenia, należy przestrzegać następujących wskazówek:

- Przed podłączeniem należy myć wąż doprowadzający wodę, wąż wysokiego ciśnienia, lancę rozpylacza i akcesoria.
- Należy oczyszczać złącza z pyłu i piasku.
- Należy czyścić dysze.

Wszelkie naprawy zawsze powinny być przeprowadzane w autoryzowanym punkcie obsługi, przy użyciu oryginalnych części zamiennych.

### 8.1 Czyszczenie filtra wlotu wody



Filtr wlotowy należy czyścić regularnie raz w miesiącu lub częściej, w zależności od zużycia. Ostrożnie poluzuj mocowanie filtra przy użyciu kombinerek i oczyść filtr. Przed ponownym zamontowaniem sprawdź, czy filtr nie jest uszkodzony.

Filtr dopływu musi być zawsze zamontowany w rurze dopływu wody w celu odfiltrowywania rozmaitych zanieczyszczeń, które uszkadzają zawory pomp.

**UWAGA:** Niezainstalowanie filtra spowoduje utratę gwarancji.

EN

DA

NO

SV

FI

DE

FR

NL

IT

ES

PT

EL

TR

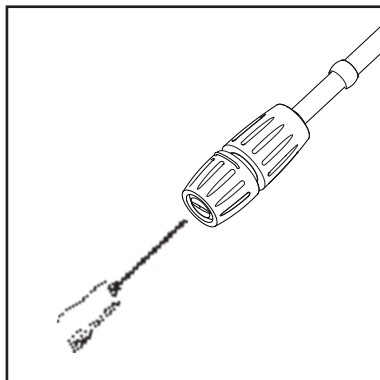
CS

HU

PL

EN

## 8.2 Czyszczenie dyszy



Zator w dyszy powoduje nadmierny wzrost ciśnienia w pompie. Z tego powodu konieczne jest natychmiastowe oczyszczenie dyszy.

1. Zatrzymaj urządzenie i odłącz dyszę.
2. Oczyszczyć dyszę. **WAŻNE:** Narzędzia do czyszczenia (11) należy używać tylko wtedy, gdy dysza jest odłączona!
3. Przepłukać dyszę wodą od końca.

DA

NO

SV

FI

DE

## 8.3 Czyszczenie otworów wentylacyjnych urządzenia

Urządzenie należy utrzymywać w czystości, aby powietrze mogło swobodnie przechodzić przez otwory wentylacyjne.

FR

NL

## 8.4 Smarowanie złączy

Aby zapewnić łatwe podłączenie i dobry stan uszczelek o-ring, złącza należy regularnie smarować.

IT

ES

PT

EL

TR

CS

HU

PL



# 9 Rozwiązywanie problemów

EN

DA

NO

SV

FI

DE

FR

NL

IT

ES

PT

EL

TR

CS

HU

PL

Aby uniknąć niepotrzebnych rozczarowań, przed skontaktowaniem się z obsługą serwisową firmy Nilfisk należy sprawdzić następujące elementy:

Objaw	Przyczyna	Zalecane postępowanie
<b>Nie można uruchomić urządzenia</b>	Urządzenie nie jest podłączone do źródła zasilania Uszkodzone gniazdo zasilania Przepalony bezpiecznik  Uszkodzony przewód przedłużający	Podłącz urządzenie.  Wypróbuj inne gniazdo zasilania.  Wymień bezpiecznik. Wyłącz pozostałe urządzenia. Spróbuj podłączyć urządzenie bez przewodu przedłużającego.
<b>Wahania ciśnienia</b>	Pompa zasysa powietrze Brudne, zużyte lub zatkane zawory Zużyte uszczelki pompy	Sprawdź szczelność węży połączeń. Oczyść lub wymień zawory bądź skontaktuj się z lokalnym dystrybutorem firmy Nilfisk. Oczyść lub wymień zawory bądź skontaktuj się z lokalnym dystrybutorem firmy Nilfisk.
<b>Silnik zacina się</b>	Niskie napięcie lub niska temperatura	Zwolnij blokadę pistoletu natryskowego.
<b>Urządzenie zatrzymuje się</b>	Przepalony bezpiecznik  Niewłaściwe napięcie zasilania Czujnik termiczny włącza się Częściowo zatkana dysza	Wymień bezpiecznik. Wyłącz pozostałe urządzenia. Sprawdź, czy napięcie zasilania odpowiada specyfikacji na oznaczeniu modelu. Pozwól urządzeniu ostygnąć przez 5 minut. Oczyść dyszę (zobacz rozdział 7.2).
<b>Bezpiecznik przepala się</b>	Za mały bezpiecznik	Zmień instalację na taką, która pozwala na większy pobór prądu przez urządzenie. Możesz spróbować podłączyć urządzenie bez przewodu przedłużającego.
<b>Urządzenie działa w sposób pulsacyjny</b>	Powietrze w wężu doprowadzającym/pompie  Niewystarczający dopływ wody  Częściowo zatkana dysza Zatkany filtr wody Zaplątany wąż	Pozwól urządzeniu pracować z otwartym spustem do momentu ustabilizowania się ciśnienia na właściwym poziomie roboczym. Sprawdź, czy dopływ wody jest zgodny z wymaganą specyfikacją (zobacz oznaczenie modelu). <b>UWAGA!</b> Należy unikać stosowania długich, cienkich węży (min. 1/2"). Oczyść dyszę (zobacz rozdział 7.2). Oczyść filtr (zobacz rozdział 7.1). Wyprostuj wąż.
<b>Urządzenie często kuruchamia się samo i zatrzymuje</b>	Pompa/pistolet natryskowy przeciekają	Skontaktuj się z najbliższym punktem obsługi serwisowej firmy Nilfisk.
<b>Urządzenie uruchamia się, lecz nie wydostaje się z niego woda</b>	Pompa/węże lub akcesoria rozmrażają. Brak dopływu wody Zatkany filtr wody Zatkana dysza	Poczekaj, aż pompa/węże lub akcesoria są zamrożone. Podłącz dopływ wody. Oczyść filtr (zobacz rozdział 7.1). Oczyść dyszę (zobacz rozdział 7.2).
<b>Spada ciśnienie pompy</b>	Pokrętko regulacji ciśnienia/ilości wody niewłaściwie ustawione	Ustaw pokrętko na odpowiednie ciśnienie robocze.

W razie wystąpienia problemów innych niż opisane powyżej, należy skontaktować się z lokalnym dystrybutorem firmy Nilfisk.

EN

# 10 Dodatkowe informacje

DA

NO

SV

FI

DE

FR

NL

IT

ES

PT

EL

TR

CS

HU

PL

## 10.1 Warunki gwarancji

Jeżeli potrzebny jest serwis lub konserwacja, prosimy o kontakt z dealerem.

# 11 Podstawowe dane techniczne

Typ		MC2C-60/520 XT US-CAN	MC2C-80/520 T	MC2C-120/520 T	MC2C-120/520 XT	MC2C-140/610 XT	MC2C-140/610 P	MC2C-150/650	MC2C-140/650 (EXPT)	MC2C-150/650 XT
Ciśnienie nominalne	bar/MPa	60/6,0	80/8,0	120/12	120/12	140/14	140/14	150/15	140/14	150/15
Siła czyszcząca	kg/force	2	2	2,2	2,2	2,5	2,5	2,9	2,9	2,9
Przepływ wody	Qmax/ QIEC l/min.	2,3/2,2 gallon	8,7/8,2	8,7/7,8	8,7/7,8	10,2/9,0	10,2/9,0	10,8/9,5	10,8/9,5	10,8/9,5
Napięcie/fazy/ częstotliwość/ natężenie	V/- Hz/A	120/1/ 60/15	115-127/1/ 60/15	230/1/ 50/10	230/1/ 50/10	230/1/ 50/12,6	230/1/ 50/12,6	230/1/ 50/14,5	220/1/ 60/14,5	230/1/ 50/14,5
Maks. temperatura wody	°C	60	60	60	60	60	60	60	60	60
Przewód	m	10	5	5	5	5	5	5	5	5
Pompa	obr./min	3400	3400	2800	2800	2800	2800	2800	3400	2800
Rozmiar dyszy	1/8"	0,475	0,475	0,340	0,340	0,340	0,370	0,340	0,350	0,340
Poziom ciśnienia akustycznego	dB(A)	72 ±2	72 ±2	72 ±2	72 ±2	72 ±2	72 ±2	72 ±2	72 ±2	72 ±2
Gwarantowany poziom mocy akustycznej	dB(A)	89	86	86	86	86	86	88	88	88
Wibracje wg standardu ISO 5349-1	m/s <sup>2</sup>	< 2,5	< 2,5	< 2,5	< 2,5	< 2,5	< 2,5	< 2,5	< 2,5	< 2,5
Waga	kg	28,6	27,3	27,3	28,1	28,1	28,1	26,3	26,3	28,1

# 12 Deklaracja

My,

Nilfisk A/S  
Marmorvej 8  
2100 Copenhagen Ø  
DANIA

Niniejszym oświadczamy na naszą wyłączną odpowiedzialność, że

produkty: HPW – Professional – Mobile – EI – CW  
opis: 230 V, 50 Hz, IPX5  
typ: MC2C-120/520 T, -120/520 XT, -140/610 XT, -150/650 XT, -140/650 EXPT

są zgodne z następującymi normami:

EN 60335-1:2012+A11:2014+A13:2017+A1:2019+A14:2019+A2:2019+A15:2021+A16:2023  
EN 60335-2-79:2012  
EN 55014-1:2021  
EN 55014-2:2021  
EN 61000-3-2:2019+A1:2021  
EN 61000-3-11:2019  
EN 63000:2018

Zgodnie z unijnymi przepisami harmonizacyjnymi:

2006/42/WE  
2014/30/UE  
2011/65/UE  
2000/14/WE – procedura oceny zgodności według załącznika V.  
– Zmierzony poziom mocy akustycznej: 86-88 dB(A);  
gwarantowany poziom mocy akustycznej: 89-91 dB(A)

Broendby, 2024-01-02

*Warner Guo (Warner) Guo*

Warner Guo, VP R&D, Head of Competence Center APAC • R&D

EN

DA

NO

SV

FI

DE

FR

NL

IT

ES

PT

EL

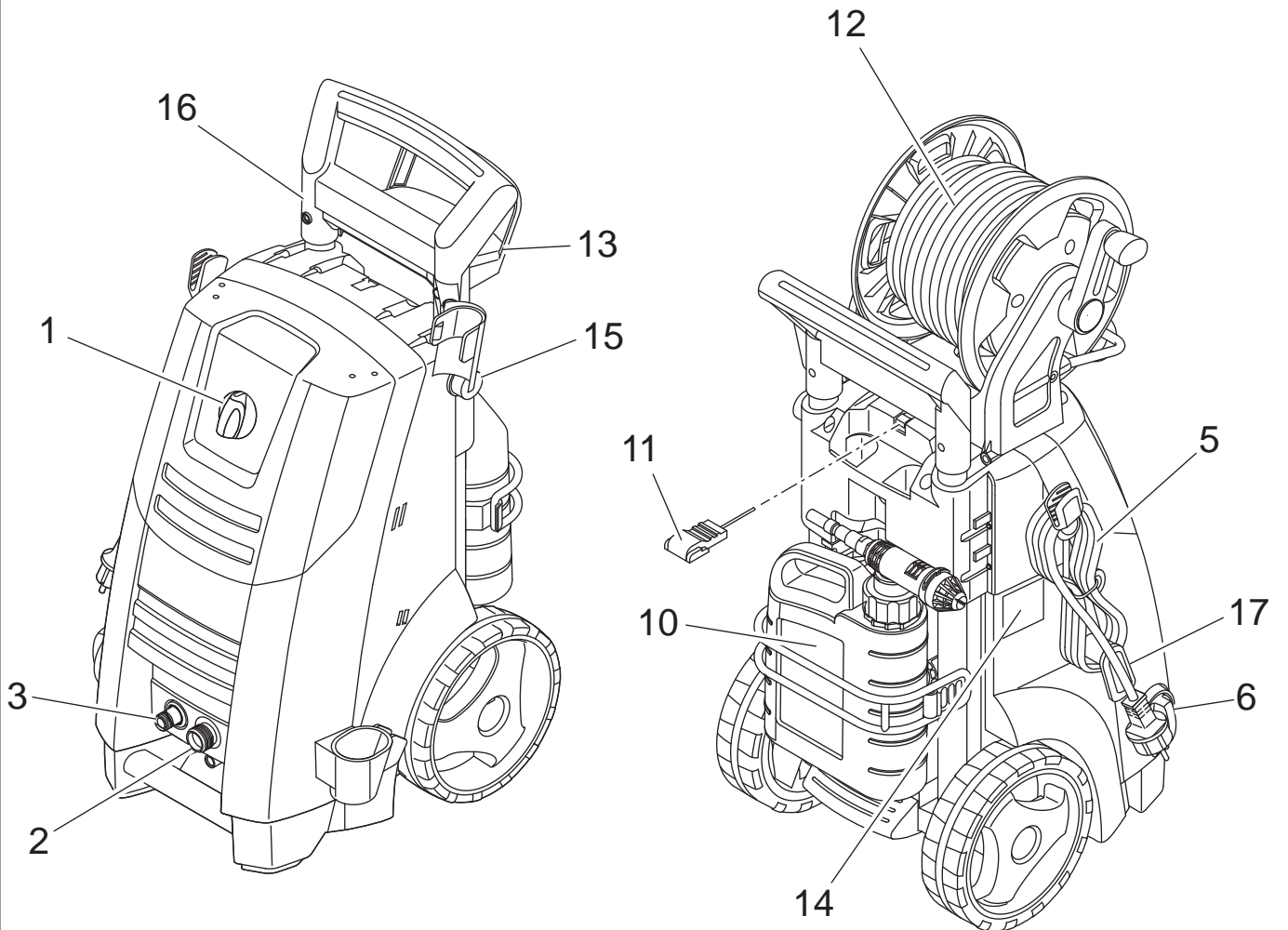
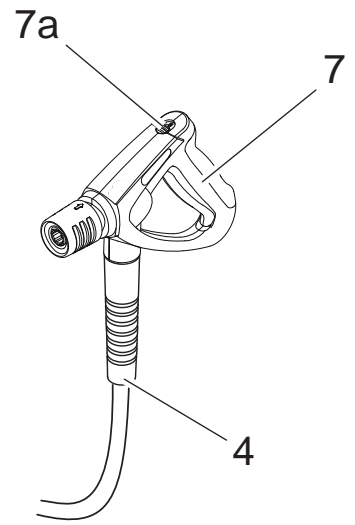
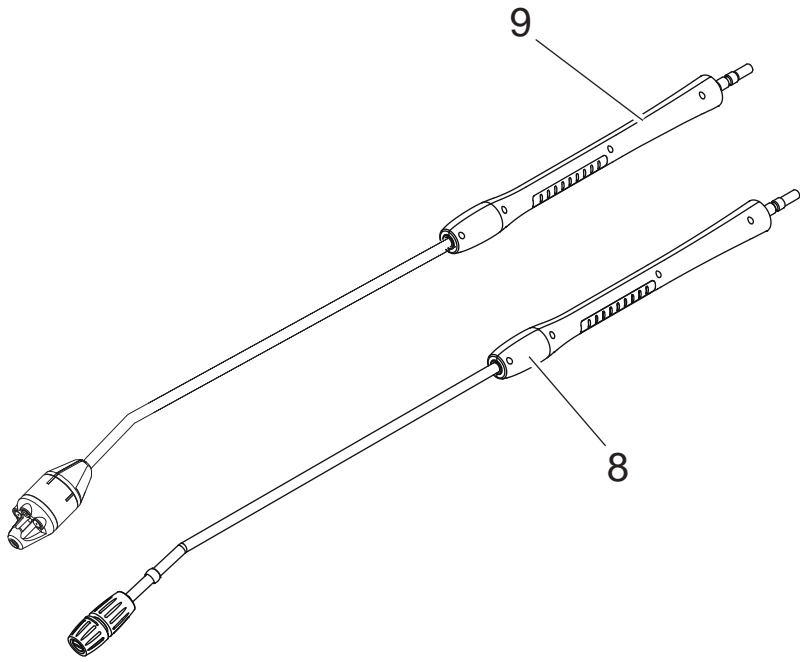
TR

CS

HU

**PL**





## HEAD QUARTER

### DENMARK

Nilfisk A/S  
Tel.: (+45) 4323 8100  
www.nilfisk.com

## SALES COMPANIES

### ARGENTINA

Nilfisk Argentina  
Tel.: (+54) 11 6091 1576  
www.nilfisk.com.ar

### AUSTRALIA

Nilfisk Pty Ltd  
Tel.: (+61) 2 98348100  
www.nilfisk.com.au

### AUSTRIA

Nilfisk GmbH  
Tel.: (+43) 662 456 400 90  
www.nilfisk.at

### BELGIUM

Nilfisk n.v-s.a.  
Tel.: (+32) 24 67 60 50  
www.nilfisk.be

### BRAZIL

Nilfisk do Brasil  
Tel.: (+11) 3959-0300 / 3945-4744  
www.nilfisk.com.br

### CANADA

Nilfisk Canada Company  
Tel.: (+1) 800-668-8400  
www.nilfisk.ca

### CHILE

Nilfisk S.A. (Comercial KCS Ltda)  
Tel.: (+56) 2684 5000  
www.nilfisk.cl

### CHINA

Nilfisk  
Tel.: (+86) 21 3323 2000  
www.nilfisk.cn

### CZECH REPUBLIC

Nilfisk s.r.o.  
Tel.: (+420) 244 090 912  
www.nilfisk.cz

### DENMARK

Nilfisk Danmark A/S  
Tel.: 72 18 21 20  
www.nilfisk.dk

### FINLAND

Nilfisk Oy Ab  
Tel.: (+358) 207 890 600  
www.nilfisk.fi

### FRANCE

Nilfisk SAS  
Tel.: (+33) 169 59 87 00  
www.nilfisk.fr

### GERMANY

Nilfisk GmbH  
Tel.: (+49) (0)7306/72-444  
www.nilfisk.de

### GREECE

Nilfisk A.E.  
Tel.: (30) 210 9119 600  
www.nilfisk.gr

### HOLLAND

Nilfisk B.V.  
Tel.: (+31) 036 5460760  
www.nilfisk.nl

### HONG KONG

Nilfisk Ltd.  
Tel.: (+852) 2427 5951  
www.nilfisk.com

### HUNGARY

Nilfisk Kft.  
Tel.: (+36) 24 475 550  
www.nilfisk.hu

### INDIA

Nilfisk India Limited  
Tel.: (+91) 22 6118 8188  
www.nilfisk.in

### IRELAND

Nilfisk  
Tel.: (+35) 3 12 94 38 38  
www.nilfisk.ie

### ITALY

Nilfisk SpA  
Tel.: (+39) (0) 377 414021  
www.nilfisk.it

### JAPAN

Nilfisk Inc.  
Tel.: (+81) 45548 2571  
www.nilfisk.com

### MALAYSIA

Nilfisk Sdn Bhd  
Tel.: (60) 3603 627 43 120  
www.nilfisk.com

### MEXICO

Nilfisk de Mexico, S. de R.L. de C.V.  
Tel.: (+52) (442) 427 77 00  
www.nilfisk.com

### NEW ZEALAND

Nilfisk Limited  
Tel.: (+64) 9 414 1996  
www.nilfisk.com

### NORWAY

Nilfisk AS  
Tel.: (+47) 22 75 17 80  
www.nilfisk.no

### PERU

Nilfisk S.A.C.  
Tel.: (511) 435-6840  
www.nilfisk.com

### POLAND

Nilfisk Sp. Z.O.O.  
Tel.: (+48) 22 738 3750  
www.nilfisk.pl

### PORTUGAL

Nilfisk Lda.  
Tel.: (+351) 21 911 2670  
www.nilfisk.pt

### SINGAPORE

Den-Sin  
Tel.: (+65) 6268 1006  
www.densin.com

### SLOVAKIA

Nilfisk s.r.o.  
Tel.: (+421) 910 222 928  
www.nilfisk.sk

### SOUTH AFRICA

Nilfisk (Pty) Ltd  
Tel.: +27118014600  
www.nilfisk.co.za

### SOUTH KOREA

Nilfisk Korea  
Tel.: (+ 82) 2 3474 4141  
www.nilfisk.co.kr

### SPAIN

Nilfisk S.A.  
Tel.: (34) 93 741 2400  
www.nilfisk.es

### SWEDEN

Nilfisk AB  
Tel.: (+46) 31 706 73 00  
www.nilfisk.se

### SWITZERLAND

Nilfisk AG  
Tel.: (+41) 71 92 38 444  
www.nilfisk.ch

### TAIWAN

Nilfisk Ltd  
Tel.: (+88) 6227 00 22 68  
www.nilfisk.tw

### THAILAND

Nilfisk Co. Ltd.  
Tel.: (+66) 2275 5630  
www.nilfisk.co.th

### TURKEY

Nilfisk A.S.  
Tel.: +90 216 466 94 94  
www.nilfisk.com.tr

### UNITED ARAB EMIRATES

Nilfisk Middle East Branch  
Tel.: (+971) (0) 655-78813  
www.nilfisk.com

### UNITED KINGDOM

Nilfisk Ltd.  
Tel.: (+44) (0) 1768 868995  
www.nilfisk.co.uk

### UNITED STATES

Nilfisk, Inc.  
Tel.: (+1) 800-989-2235  
www.nilfisk.com

### VIETNAM

Nilfisk Vietnam  
Tel.: (+84) 761 5642  
www.nilfisk.com